



FocusLCDs.com
LCDs MADE SIMPLE®

Ph. 480-503-4295 | NOPP@FocusLCD.com

TFT | CHARACTER | UWVD | FSC | SEGMENT | CUSTOM | REPLACEMENT

Character Display Module

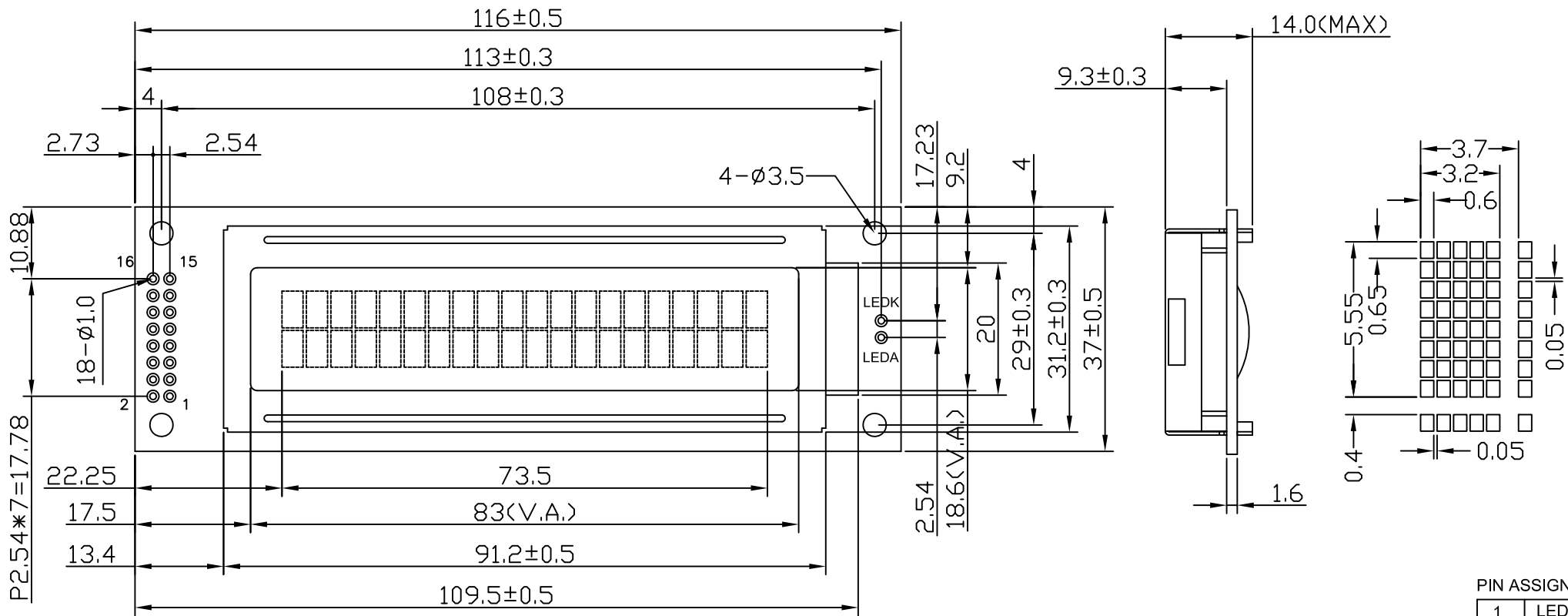
Part Number

C202B-UW-LW65

Overview

Character LCD: 20x2 (116x37), UWVD, Transmissive, White LED Backlight, Wide Temp (-20°- 70° operating/-30°- 80° storage), Bottom View, 5V LED, 5V LCD, RoHS Compliant. Controller: RW1063

REV	DESCRIPTION:	DATE
1.0	First	2020-01-26




Notes:

- 1). Driver Method: 1/16duty, 1/5bias, VDD5.0V VLCD5.3V
- 2). Display Type: UWVD /Negative/Transmissive/6:00 Visual Angle
- 3). Operating Temp: $-20^{\circ}C \sim 70^{\circ}C$ /Storage Temp: $-30^{\circ}C \sim 80^{\circ}C$
- 4). Backlight Type: Edge/White/Vled5.0V/15mA
- 5). Driver: RW1063/4bit or 8bit MPU
- 6). RoHS Compliant

PIN ASSIGNMENT

1	LEDA
2	LEDK
3	VSS
4	VDD
5	V0
6	RS
8	R/W
9	E
9~16	DB0~DB7

Model Name: C202B-UW-LW63		 FOCUS LCDs LCDs MADE SIMPLE®	
GENERAL TOL: ± 0.3			
APPROVALS	DATE	DRAWN NO.	SCALE:
DWN:			
CHK:		SIZE: A4	UNIT: mm
APP:			Page: