

## Sensor/Actuator cable - SAC-3P- 3,0-PUR/BI-1L-S F - 1669958

Please be informed that the data shown in this PDF Document is generated from our Online Catalog. Please find the complete data in the user's documentation. Our General Terms of Use for Downloads are valid (<http://phoenixcontact.com/download>)




Sensor/Actuator cable, 3-position, PUR/PVC, Gray RAL 7001, free cable end, on Valve connector BI (11 mm), with 1 LED, connected with Z diode, Cable length: 3 m

### Product Features

- ✓ Easy and safe: 100% electrically tested plug-in components
- ✓ Robust valve connector with Zener diode as protective circuit
- ✓ Convenient: increased machine availability thanks to quick and easy diagnostics
- ✓ Compact: flat design for applications where space is at a premium



### Key commercial data

Packing unit	1 pc
GTIN	 4 017918 134853
Weight per Piece (excluding packing)	194.1 GRM
Custom tariff number	85444290
Country of origin	Germany

### Technical data

#### Dimensions

Length of cable	3 m
Stripping length of the free conductor end	50 mm

#### Ambient conditions

Ambient temperature (operation)	-20 °C ... 80 °C (valve plug)
Degree of protection	IP65
	IP67
	IP68

## Sensor/Actuator cable - SAC-3P- 3,0-PUR/BI-1L-S F - 1669958

### Technical data

#### General

Rated current at 40°C	3 A
Rated voltage	24 V
Number of positions	3
Contact resistance	≤ 15 mΩ
Insulation resistance	≥ 100 MΩ
Status display	1 LED
Protective circuit/component	Z diode
Surge voltage category	II
Pollution degree	3

#### Material

Inflammability class according to UL 94	V0
Valve plug contact material	CuSn
Valve plug contact surface material	Ag
Valve plug contact insert material	PBT
Material housing valve plug	PBT
Sealing material	TPU (Flat gasket valve plug)

#### Cable

Cable type	PUR/PVC gray
Cable type (abbreviation)	100
Cable abbreviation	LiYY11Y-JZ
Conductor cross section	0.75 mm <sup>2</sup>
AWG signal line	18
Conductor structure signal line	24x 0.20 mm
Core diameter including insulation	approx. 1.8 mm
Thickness, insulation	approx. 0.34 mm (Core insulation)
	approx. 0.35 mm (Outer cable sheath)
	approx. 0.3 mm (Inner sheath)
Wire colors	black 1, black 2, green/yellow
Overall twist	3 concentrically twisted wires
Length of twist, overall twist	83 mm
External sheath, color	Gray RAL 7001
External cable diameter	5.20 mm
Smallest bending radius, movable installation	62 mm
Outer sheath, material	PUR
Material, inner sheath	PVC
Material conductor insulation	PVC

# Sensor/Actuator cable - SAC-3P- 3,0-PUR/BI-1L-S F - 1669958

## Technical data

### Cable

Conductor material	Bare Cu litz wires
Insulation resistance	≥ 1 MΩ*km
Nominal voltage, cable	240 V
Test voltage, cable	2000 V
Ambient temperature (operation)	-30 °C ... 80 °C (cable, fixed installation)
	-5 °C ... 70 °C (cable, flexible installation)

## Classifications

### eCl@ss

eCl@ss 4.0	27060306
eCl@ss 4.1	27060306
eCl@ss 5.0	27061801
eCl@ss 5.1	27061801
eCl@ss 6.0	27061801
eCl@ss 7.0	27061801
eCl@ss 8.0	27061801

### ETIM

ETIM 2.0	EC000830
ETIM 3.0	EC001855
ETIM 4.0	EC001855
ETIM 5.0	EC001855

### UNSPSC

UNSPSC 6.01	31251501
UNSPSC 7.0901	31251501
UNSPSC 11	31251501
UNSPSC 12.01	31251501
UNSPSC 13.2	31251501

## Approvals

### Approvals

---

Approvals

UL Listed / cUL Listed / cULus Listed

---

# Sensor/Actuator cable - SAC-3P- 3,0-PUR/BI-1L-S F - 1669958

## Approvals

Ex Approvals

Approvals submitted

## Approval details

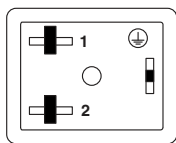
UL Listed	
Nominal current I <sub>N</sub>	4 A
Nominal voltage U <sub>N</sub>	24 V

cUL Listed	
Nominal current I <sub>N</sub>	4 A
Nominal voltage U <sub>N</sub>	24 V

cULus Listed	
--------------	--

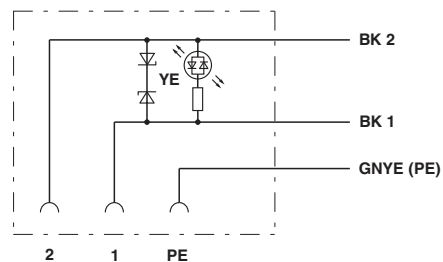
## Drawings

Schematic diagram



Valve connector pin assignment, type BI

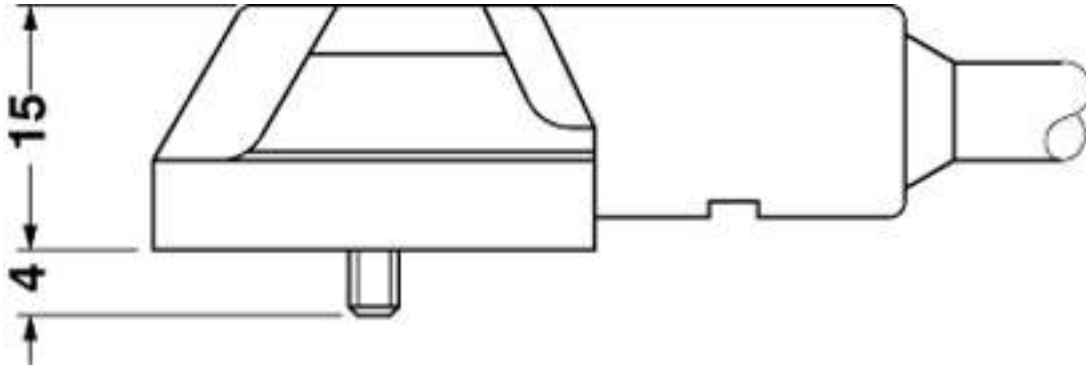
Circuit diagram



Contact assignment of the valve plug

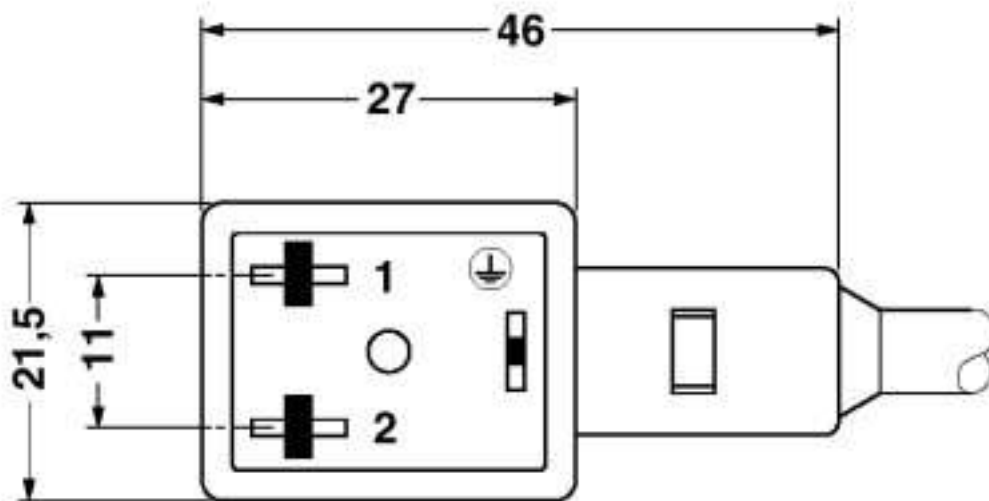
## Sensor/Actuator cable - SAC-3P- 3,0-PUR/BI-1L-S F - 1669958

Dimensioned drawing



Valve connector, type BI, flat

Dimensioned drawing



Valve connector, type BI, flat