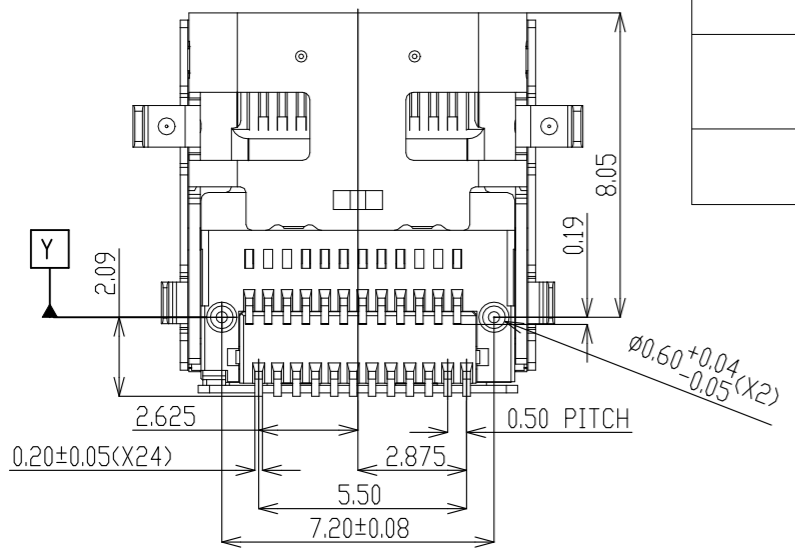
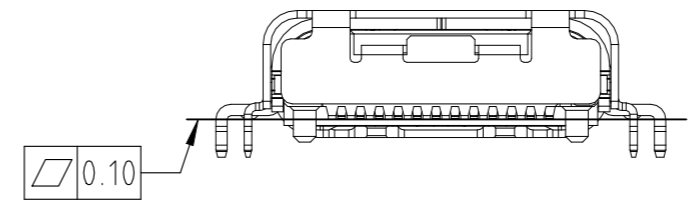
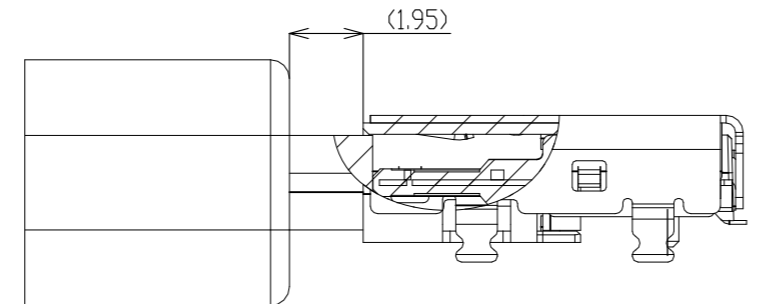
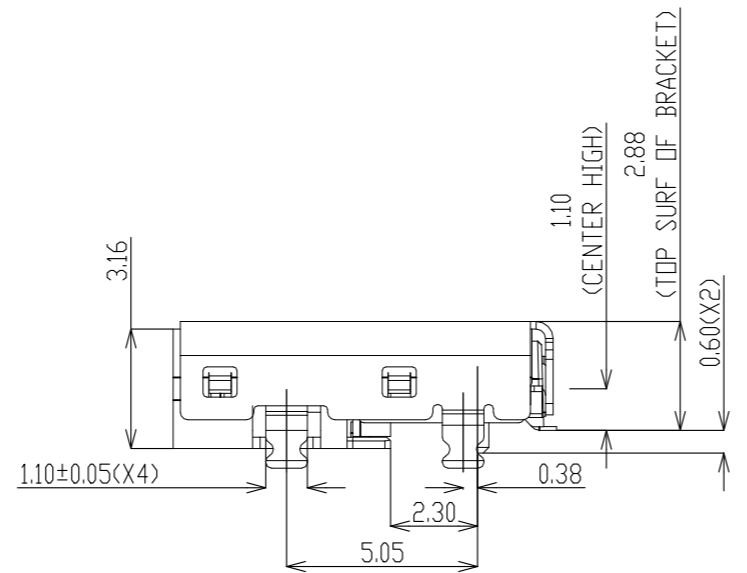
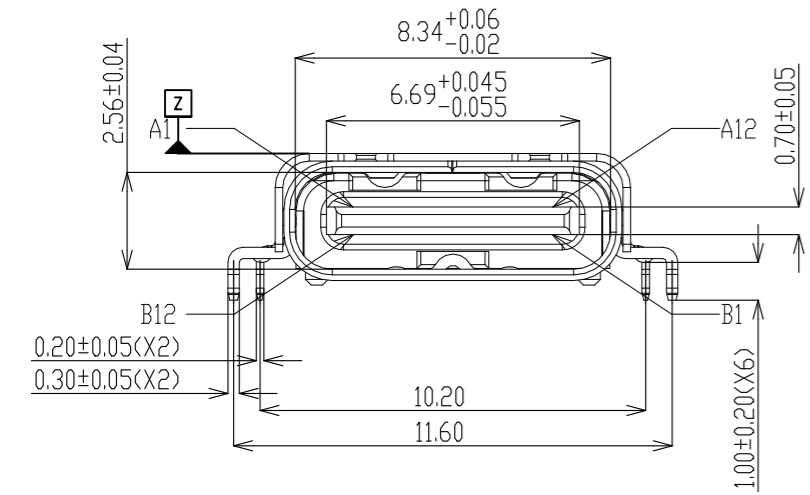
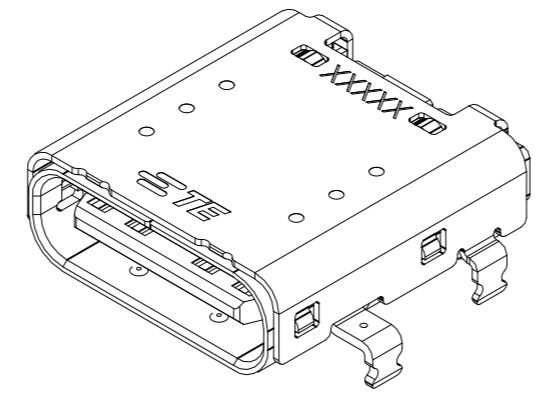
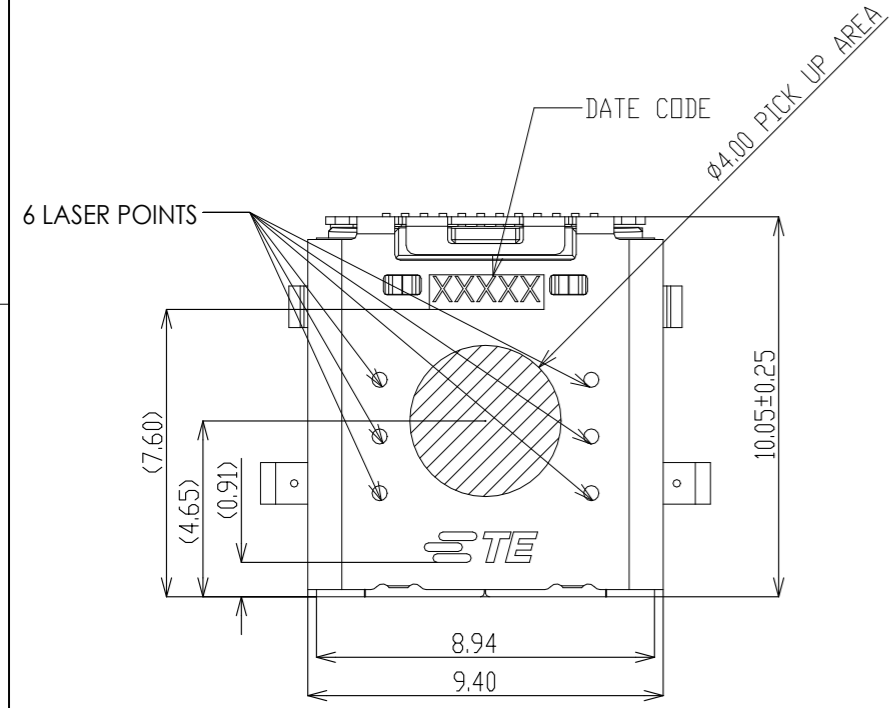


REVISIONS


P	LTR	DESCRIPTION	DATE	DWN	APVD
	A	REVISED PER ECN-22-174441	14SEP2022	AK	SZ

NOTES :

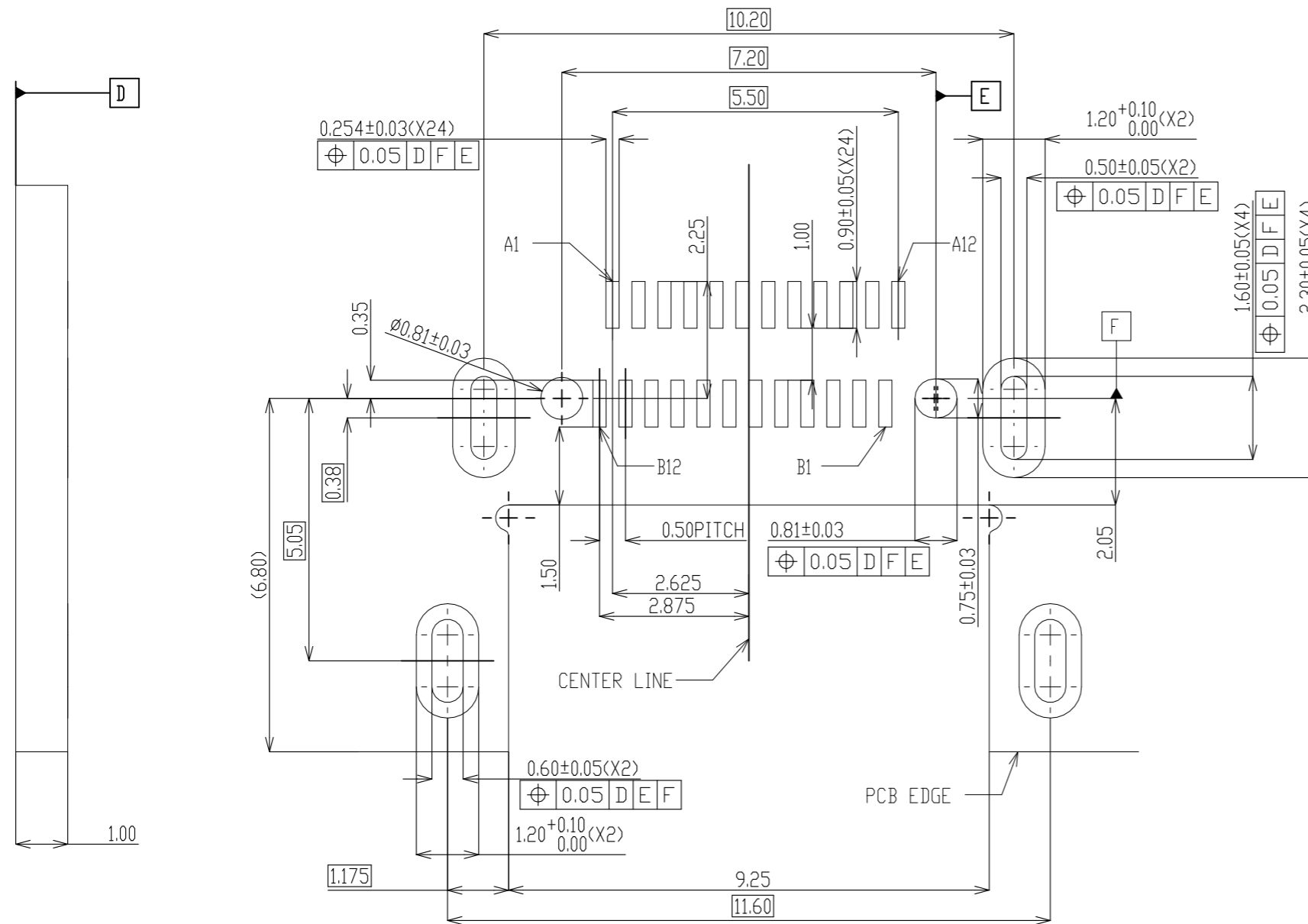
- MATERIAL
HOUSING :HIGH TEMPERATURE THERMAL PLASTIC,BLACK,UL94-V0
CONTACT :COPPER ALLOY
SHELL :STAINLESS STEEL
MIDDLE PLATE:STAINLESS STEEL
- PLATING
CONTACT:0.00076mm [30u"] MIN. GOLD PLATING ON CONTACT AREA.
0.00254mm [100u"] MIN. MATTE TIN PLATING ON SOLDER TAILS,
UNDERPLATED 0.00127mm [50u"] MIN. NICKEL OVERALL.
SHELL: 0.00127mm [50u"] MIN. SOLDERING NICKEL UNDERPLATED OVERALL.
MIDDLE PLATE: SOLDERING Ni 1.27um [50u"] MIN. UNDERPLATED OVERALL.
- COPLANARITY OF SMT PINS AND SOLDER TAILS:
0.10MAX BEFORE REFLOW,0.12MAX. AFTER REFLOW
- DATE CODE: YYWWD (YY: YEAR, WW: WEEK, D: DAY)



2388749-1
P/N


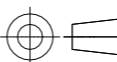
THIS DRAWING IS A CONTROLLED DOCUMENT.		DWN RICHARD MA 29APR2021	 TE Connectivity USB 4.0 RECEPTACLE MID MOUNT, 24 POS,CH=1.10				
DIMENSIONS: mm		CHK RICHARD MA 29APR2021				NAME	
TOLERANCES UNLESS OTHERWISE SPECIFIED:		APVD SUNY ZHAO 29APR2021				PRODUCT SPEC	
0 PLC ± 0.38 1 PLC ± 0.25 2 PLC ± 0.13 3 PLC ± 0.05 4 PLC ± - ANGLES ± -		APPLICATION SPEC					
MATERIAL		FINISH	SIZE	CAGE CODE	DRAWING NO	RESTRICTED TO	
-		-	0	A300779	C-2388749	-	
CUSTOMER DRAWING			SCALE	SHEET	REV		
			1:1	1 OF 3	A		

P	LTR	DESCRIPTION	DATE	DWN	APVD
-	-	SEE SHEET 1	-	-	-

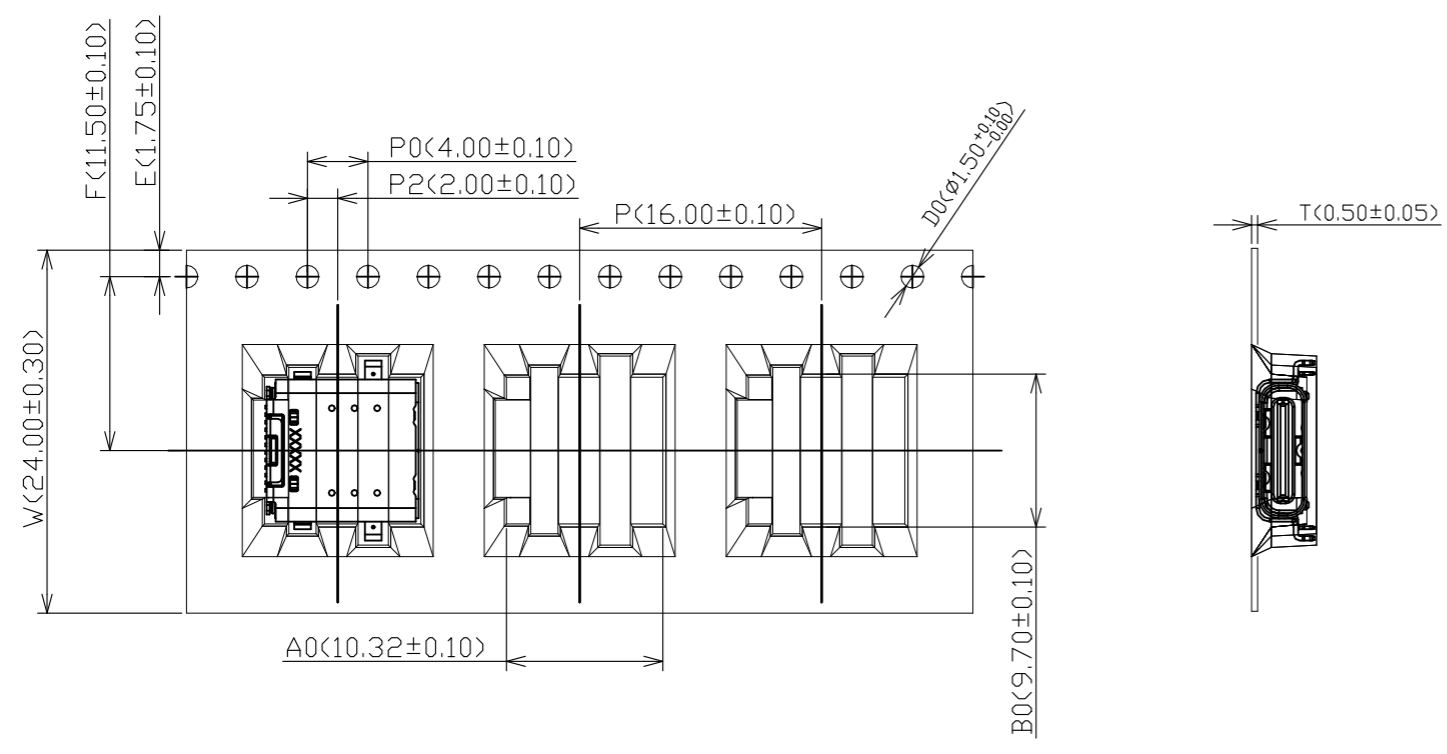


RECOMMENDED PCB LAYOUT(TOP VIEW)
 THICKNESS 1.0mm
 TOLERANCE ±0.05

PIN NO.	A1	A2	A3	A4	A5	A6	A7	A8	A9	A10	A11	A12
SIGNAL NAME	GND	SSTXp1	SSTXn1	VBUS	CC1	Dp1	Dn1	SBU1	VBUS	SSRXn2	SSRXp2	GND
PIN NO.	B12	B11	B10	B9	B8	B7	B6	B5	B4	B3	B2	B1
SIGNAL NAME	GND	SSRXp1	SSRXn1	VBUS	SBU2	Dn2	Dp2	CC2	VBUS	SSTXn2	SSTXp2	GND

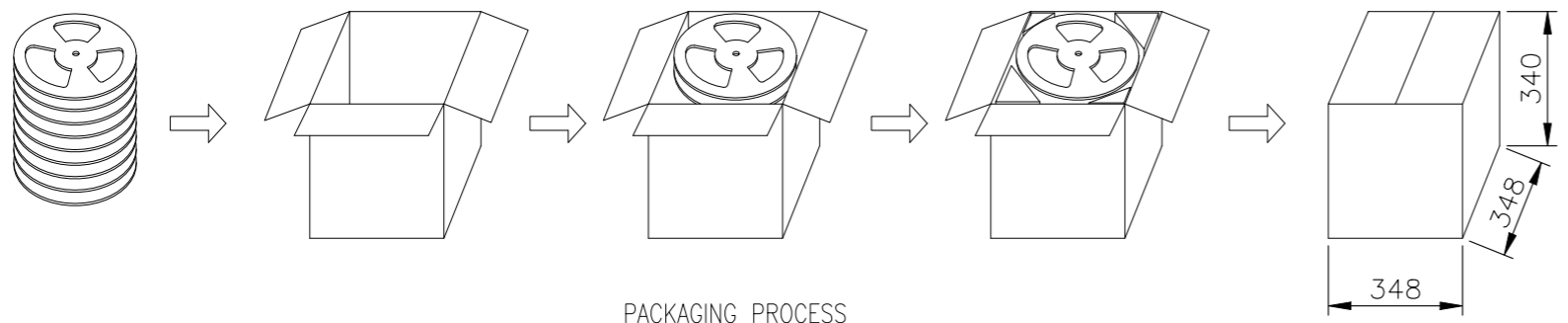
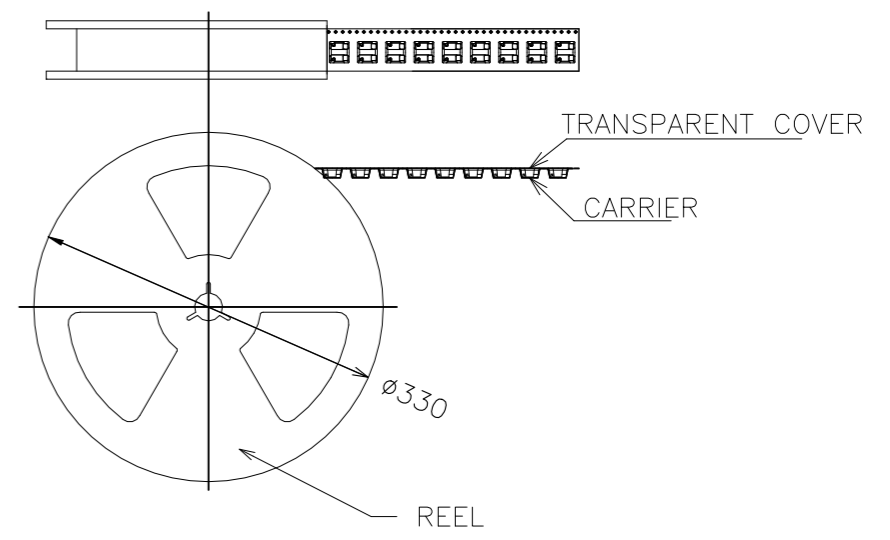
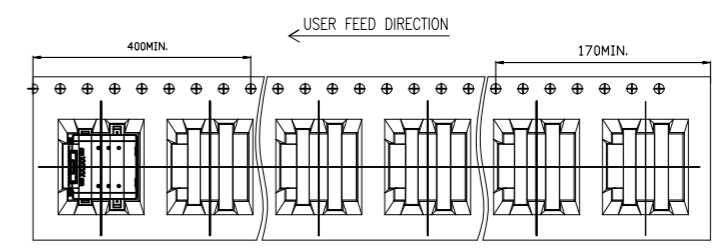
THIS DRAWING IS A CONTROLLED DOCUMENT.		DWN RICHARD MA 29APR2021	 TE Connectivity	
DIMENSIONS: mm		CHK RICHARD MA 29APR2021		
		APVD SUNY ZHAO 29APR2021		
TOLERANCES UNLESS OTHERWISE SPECIFIED:		NAME		
0 PLC ± 0.38		108-160251		
1 PLC ± 0.25		PRODUCT SPEC		
2 PLC ± 0.13		APPLICATION SPEC		
3 PLC ± 0.05		SIZE	CAGE CODE	DRAWING NO
4 PLC ± -		A3 00779		C-2388749
ANGLES ± -		RESTRICTED TO		
FINISH ± -		-		
MATERIAL		WEIGHT		
-		-		
		CUSTOMER DRAWING		SCALE 1:1
		SHEET 2 OF 3		REV A

REVISIONS					
P	LTR	DESCRIPTION	DATE	DWN	APVD
-	-	SEE SHEET 1	-	-	-



NOTES:

1. USED ON USB TYPE C RECEP. CONNECTOR PRODUCTS.
2. PACKAGE:600PCS/REEL, 10REELS/BOX
3. MATERIAL:TRANSPARENT CONDUCTIVE POLYSTYRENE ALLOY
4. APPLICABLE DOCUMENTS:EIA-481-C
5. AFTER UNREELING DIRECTION MUST HAVE 11 PCS BLANK.(170mm Min)
6. BEFORE UNREELING DIRECTION MUST HAVE 25 PCS BLANK.(400mm Min)



THIS DRAWING IS A CONTROLLED DOCUMENT.		DWN RICHARD MA 29APR2021	TE Connectivity			
		CHK RICHARD MA 29APR2021				
		APVD SUNY ZHAO 29APR2021	NAME			
		PRODUCT SPEC 108-160251	USB 4.0 RECEPTACLE MID MOUNT, 24 POS,CH=1.10			
		APPLICATION SPEC	SIZE	CAGE CODE	DRAWING NO	RESTRICTED TO
		WEIGHT -	A3	00779	C-2388749	-
CUSTOMER DRAWING		SCALE 1:1	SHEET 3 OF 3	REV A		