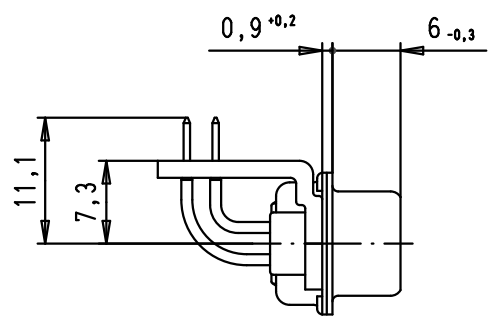
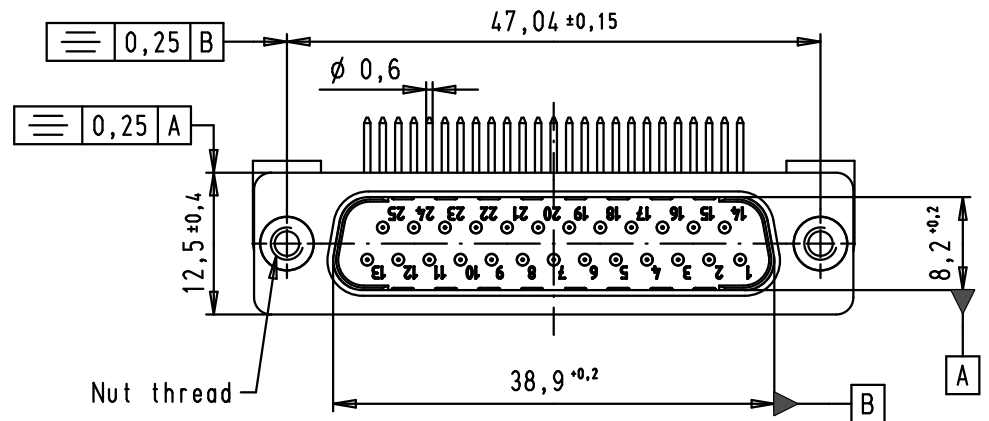


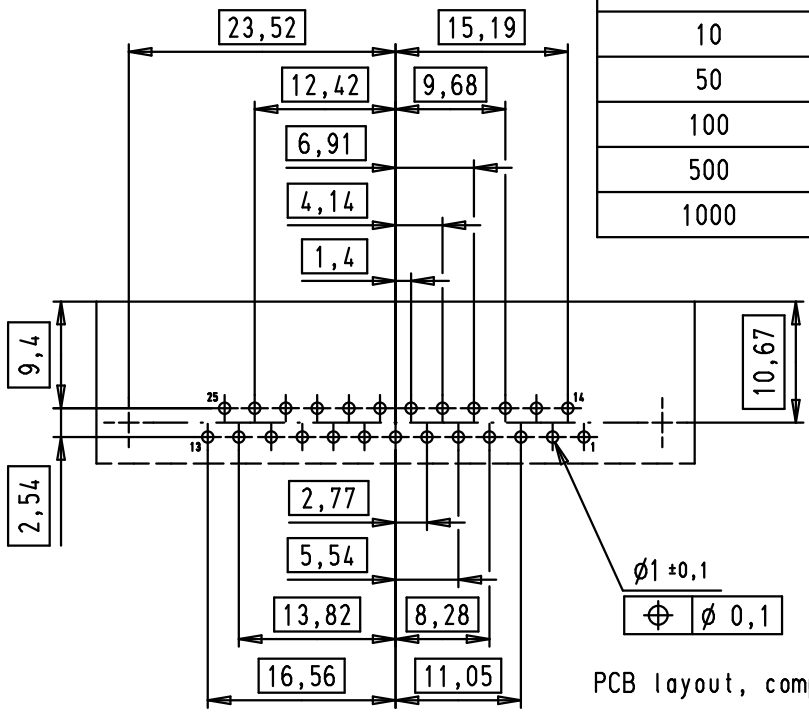
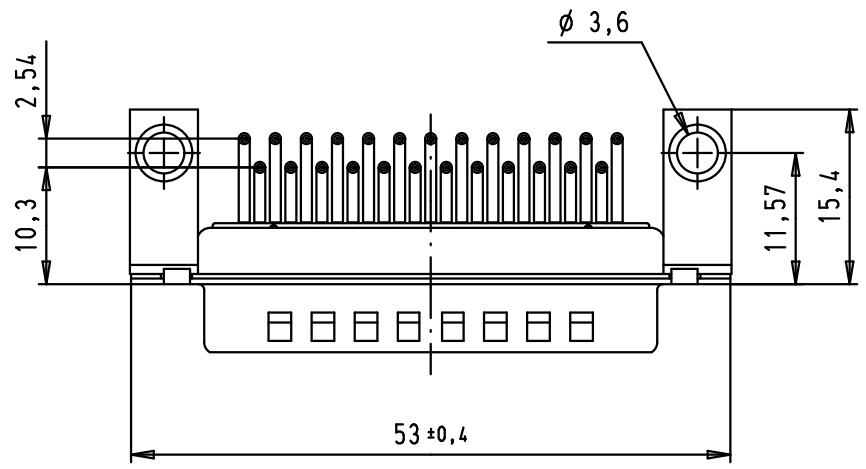
5 4 3 2 1



SPECIFICATIONS

Mating cycles	500
Filter type	C
Capacitance	1000 pF ± 20%
Working voltage	100 V
Current rating	7,5 A
Insulation resistance	> 1 GΩ

FREQUENCY (MHz)	ATTENUATION (dB)
5	1
10	3
50	12
100	20
500	34
1000	30



PCB layout, component side

09 64 324 7237	M3
09 64 324 7236	4-40 UNC-2B
Part number	Nut thread

Mod.	Dat.	Name	Dot.	Name
			Detail.	08/07/02 CV
EC01003	25/11/09	PK	Insp.	
33790	01/08/06	PK	Stand.	
31576	03/12/03	AF		
31058	08/07/02	CV		
			HARTING EURL F-95972 Paris	



D-Sub, male, angled,
25 poles, turned solder pins,
clinch nuts and
brackets with holes

TB 09 64 324 723X

Maßstab/
Scale
1,5:1
Blatt/ Page
3 / 4