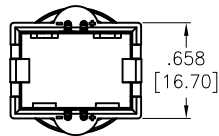
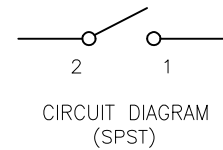
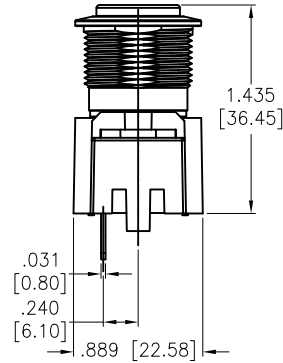
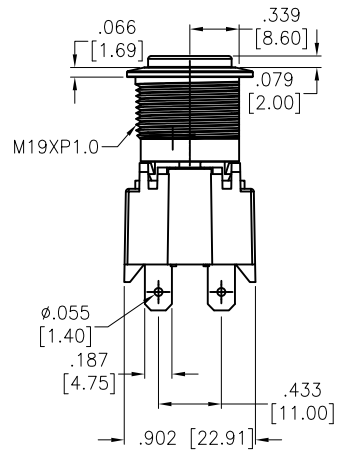
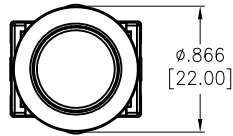


6	5	4	3	2	1
APPROVED: _____			Rev	AWO #	Description
DATE: _____ TITLE: _____			-		RELEASED
					Date
					11/2/21
					Appr



SPECIFICATIONS:

Material:

Body: PA66, Rated UL94V-0
 Bushing: Stainless Steel, Varnish polished
 Button: Stainless Steel, Varnish polished
 O-Ring: Silicone

Contact Material: Silver Alloy (4.80mm)

Terminal: Brass, Silver plated

Electrical:

Switch Rating: 16A @ 125V/250V AC

Contact resistance: 300 mΩ max.

Insulation resistance: 100M ohms min @ 500V DC.

Dielectric withstanding voltage: 1500 VAC for 1 Min.

Electrical Life: 10,000 cycles min at full load.

Temperature Rating:

Operating temperature: -30°C to +85°C

Environmental:

IP65 Front Panel Protection
 Lead free, RoHS compliant



UNLESS OTHERWISE SPECIFIED ALL DIMENSIONS ARE INCHES [MM]. TOLERANCES: EXCEPT AS NOTED					909 Rahway Avenue, Union, NJ 07083															
<table border="1"> <tr> <td colspan="2">INCHES</td> <td colspan="2">HOLES</td> </tr> <tr> <td>.x</td> <td>± .10</td> <td>Øx</td> <td>± .10</td> </tr> <tr> <td>.xx</td> <td>± .020</td> <td>Øxx</td> <td>± .015</td> </tr> <tr> <td>.xxx</td> <td>± .015</td> <td>Øxxx</td> <td>± .010</td> </tr> </table>					INCHES		HOLES		.x	± .10	Øx	± .10	.xx	± .020	Øxx	± .015	.xxx	± .015	Øxxx	± .010
INCHES		HOLES																		
.x	± .10	Øx	± .10																	
.xx	± .020	Øxx	± .015																	
.xxx	± .015	Øxxx	± .010																	
<table border="1"> <tr> <td>DRAWN</td> <td>JJ</td> <td>11/2/21</td> </tr> <tr> <td>CHECKED</td> <td>RC</td> <td>11/2/21</td> </tr> <tr> <td>APPROVED</td> <td></td> <td></td> </tr> </table>			DRAWN	JJ	11/2/21	CHECKED	RC	11/2/21	APPROVED			TITLE SWITCH, ANTI-VANDAL SEALED, PUSH BUTTON, SPST, 19mm, LATCHING, .187 QUICK TERMINAL		Fax: 908-687-5710						
DRAWN	JJ	11/2/21																		
CHECKED	RC	11/2/21																		
APPROVED																				
THIS DRAWING CONTAINS INFORMATION THAT IS PROPRIETARY AND SHOULD NOT BE USED WITHOUT PRIOR WRITTEN PERMISSION FROM ADAM TECH			SIZE X	PART NO. SW-PB7-05B22FR	REV. -															
REF: S00198T			SCALE: NTS	SHEET 1 OF 1																