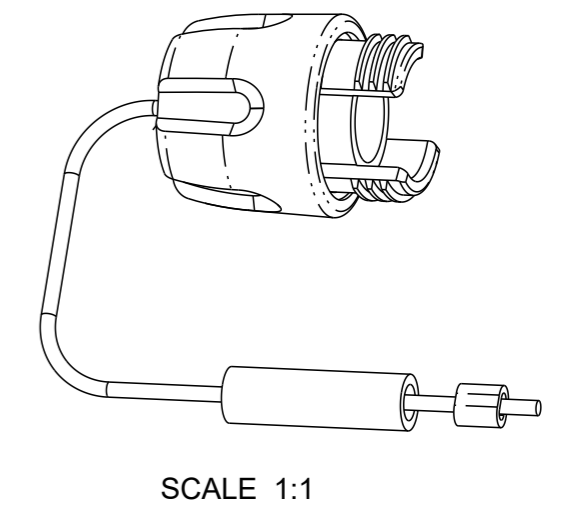
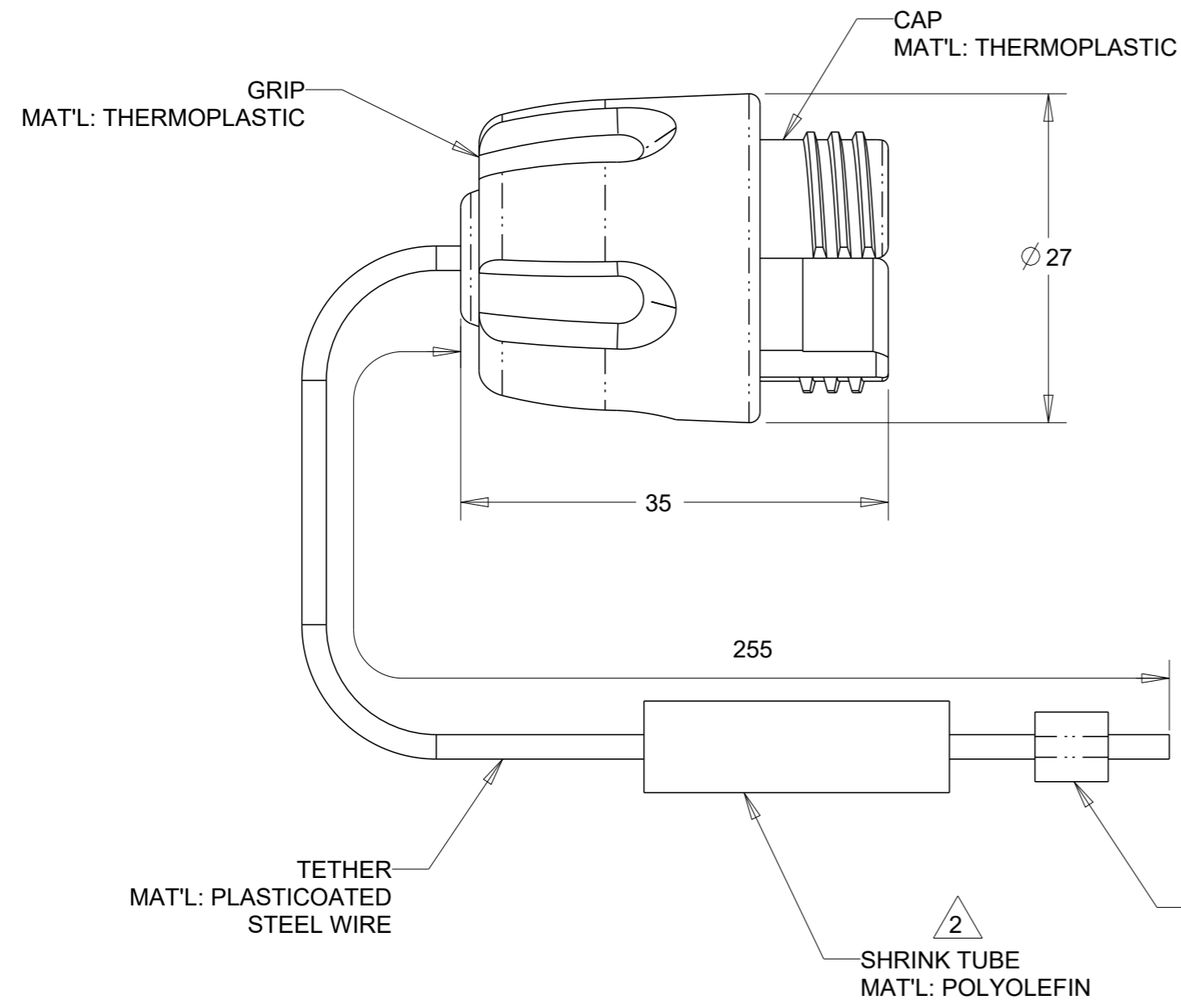


THIS DRAWING IS UNPUBLISHED. RELEASED FOR PUBLICATION 20
 © COPYRIGHT20 BY - ALL RIGHTS RESERVED.

LOC	DIST	REVISIONS			
P	LTR	DESCRIPTION	DATE	DWN	APVD
CE	-	E1	ECR-13-001022	18JAN2013	KG DW
		F	ECR-19-008989	17JUN2019	TS DW



1. ALL DIMENSIONS ARE FOR REFERENCE ONLY.
 2 TO BE COMPLETED BY END USER DURING CONNECTOR ASSEMBLY.

COLOR	DESCRIPTION	PART NUMBER
GREEN	AS SHOWN	1515867-4
BROWN	AS SHOWN	1515867-3
BLACK	WITHOUT SHRINK TUBE AND CRIMP SLEEVE	1515867-2
BLACK	AS SHOWN	1515867-1

THIS DRAWING IS A CONTROLLED DOCUMENT. DIMENSIONING AND TOLERANCING PER ASME Y14.5M-2009		DWN 12DEC2002 K.GLATFELTER		PROTECTIVE CAP, PLUG, PRO BEAM JR. BULKHEAD PRO BEAM JR.												
DIMENSIONS: mm	TOLERANCES UNLESS OTHERWISE SPECIFIED:	CHK 16DEC2002 D.WERTMAN														
<table border="1"> <tr><td>0 PLC</td><td>±-</td></tr> <tr><td>1 PLC</td><td>±-</td></tr> <tr><td>2 PLC</td><td>±-</td></tr> <tr><td>3 PLC</td><td>±-</td></tr> <tr><td>4 PLC</td><td>±-</td></tr> <tr><td>ANGLES</td><td>±</td></tr> </table>	0 PLC	±-			1 PLC	±-	2 PLC	±-	3 PLC	±-	4 PLC	±-	ANGLES	±		APVD 17DEC2002 D.WERTMAN
0 PLC	±-															
1 PLC	±-															
2 PLC	±-															
3 PLC	±-															
4 PLC	±-															
ANGLES	±															
MATERIAL -	FINISH -	PRODUCT SPEC -														
		APPLICATION SPEC -	NAME	RESTRICTED TO												
		WEIGHT -	SIZE A3	CAGE CODE 00779												
		Customer Drawing	DRAWING NO C-1515867	SCALE 2:1												
			SHEET 1 OF 1	REV F												