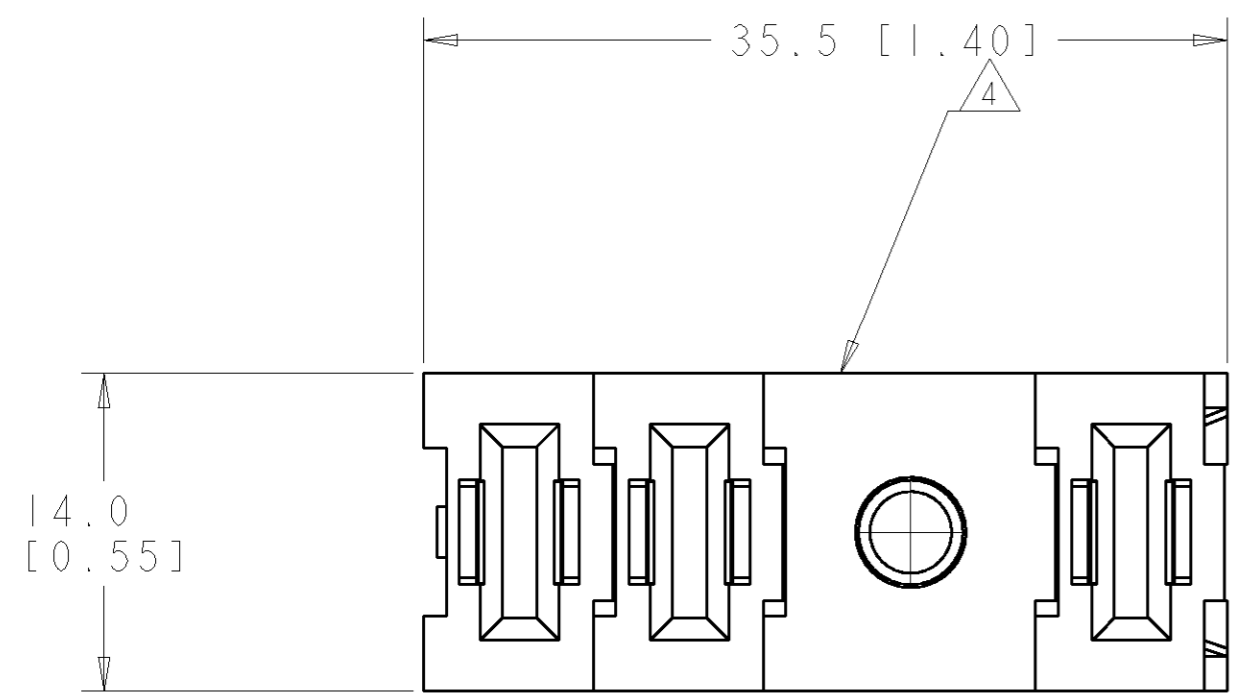


THIS DRAWING IS UNPUBLISHED. RELEASED FOR PUBLICATION 20
 © COPYRIGHT 20 BY TYCO ELECTRONICS CORPORATION. ALL RIGHTS RESERVED.

LOC	DIST	REVISIONS					
GP	00	P	LTR	DESCRIPTION	DATE	DWN	APVD
			A	RELEASED	26FEB2007	RG	SF



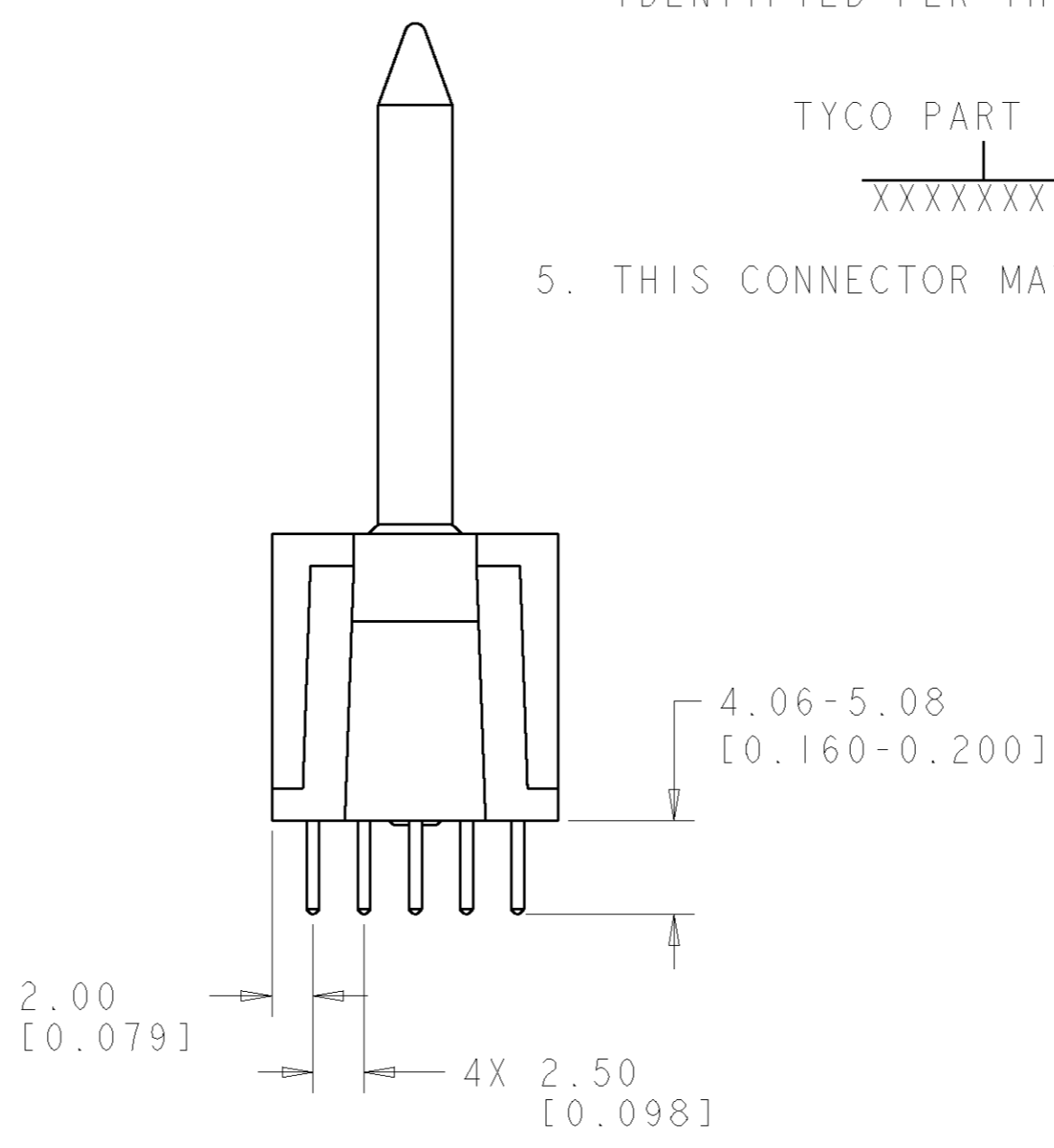
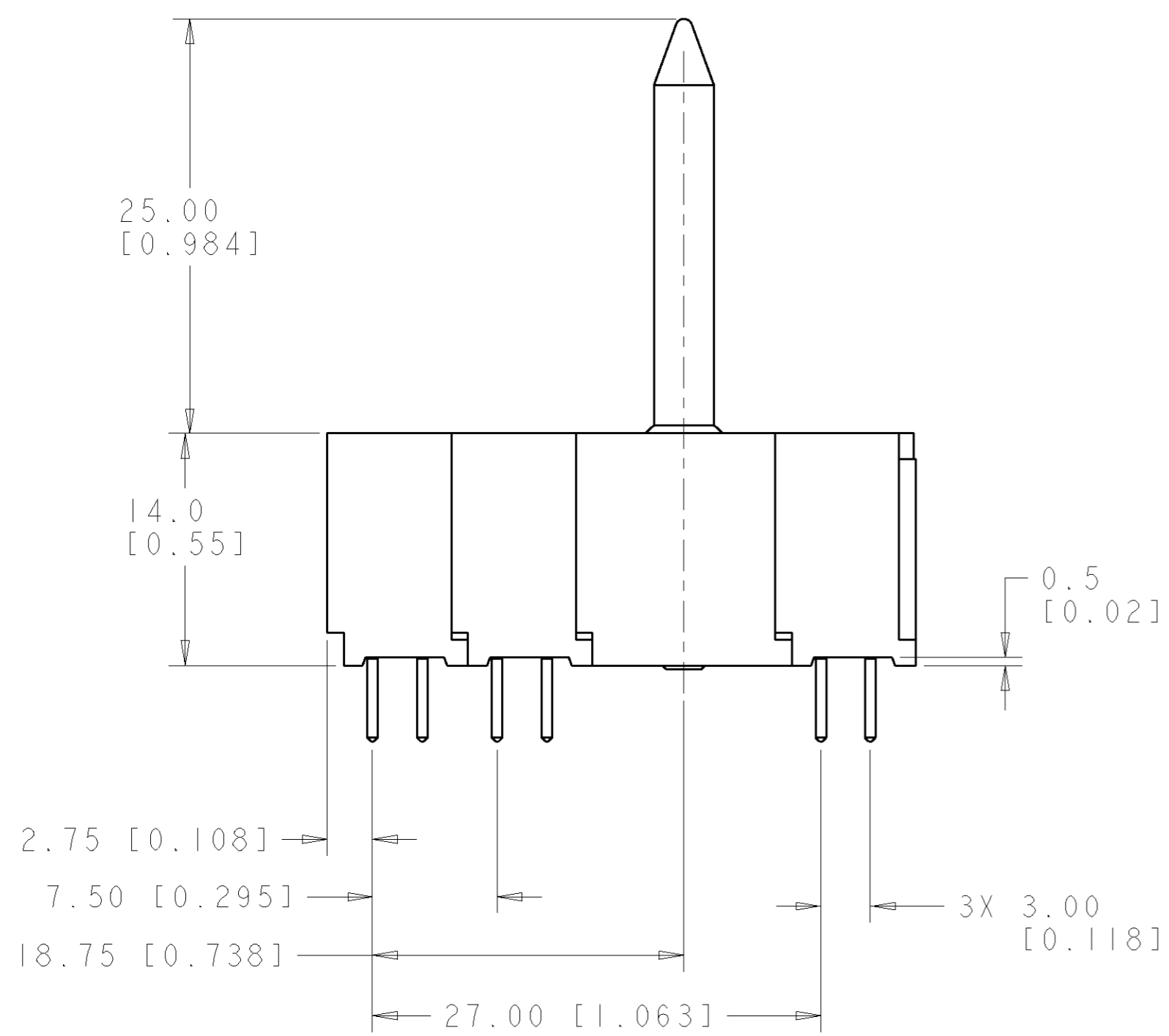
- PART NUMBER CHANGES AND OR DESIGN CHANGES AFFECTING ITEM INTERCHANGEABILITY REQUIRE PRIOR TYCO APPROVAL AND AUTHORIZATION BY REVISION TO THIS DRAWING.
- MATERIAL:
 - INSULATORS - THERMOPLASTIC, GLASS REINFORCED, COLOR: BLACK UL94V-0 FLAMMABILITY RATED.
 - POWER CONTACTS - PHOSPHOR BRONZE ALLOY, COPPER ALLOY
 - CROWN BANDS - BERYLLIUM COPPER ALLOY
 - GUIDE PIN - BRASS COPPER ALLOY
- FINISH:
 - CONTACTS - GOLD PLATE .76µm MIN. THK., OVER NICKEL, 1.27µm MIN. THK
 - SOLDER TAILS TIN 2.54µm MIN. THK. OVER NICKEL 1.27µm MIN THK.
 - GUIDE PIN - NICKEL PLATE 1.27µm MIN THK.

△ ITEMS PROVIDED TO THIS SPECIFICATION TO BE PERMANENTLY IDENTIFIED PER THE FOLLOWING IDENTIFIER LABEL

YEAR | WEEK

TYCO PART NO. DATE CODE (e.g. 0106)

XXXXXXXX-X XXXX



5. THIS CONNECTOR MATES WITH PN 6646366-1 OR PN 6651843-1.

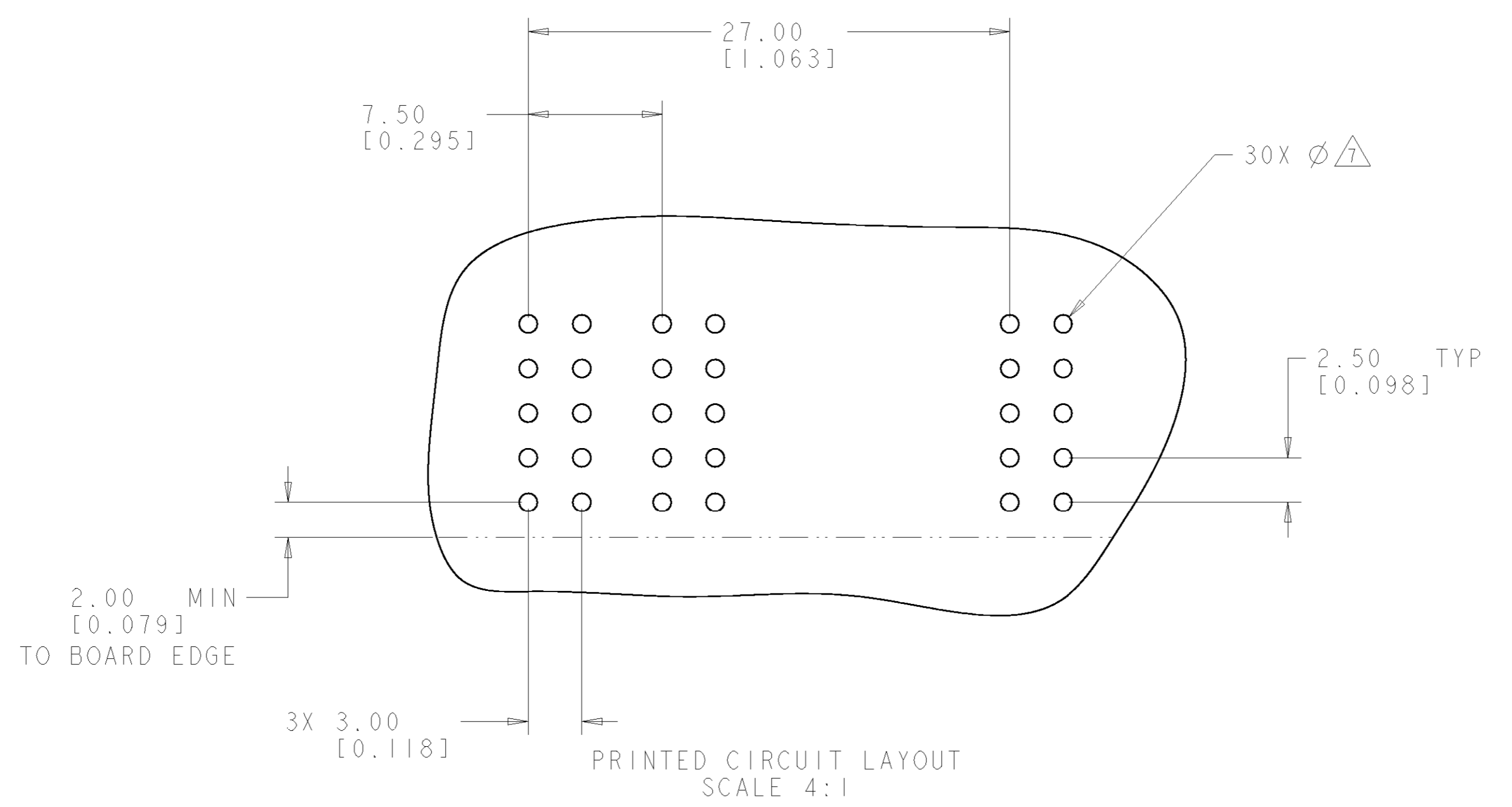
AS SHOWN	6646367-1
DESCRIPTION	PART NUMBER

THIS DRAWING IS A CONTROLLED DOCUMENT FOR TYCO ELECTRONICS CORPORATION. IT IS SUBJECT TO CHANGE AND THE CONTROLLING ENGINEERING ORGANIZATION SHOULD BE CONTACTED FOR THE LATEST REVISION.		DWN R. GRZYBOWSKI 26FEB07	Tyco Electronics Harrisburg, PA 17105-3608	NAME SOCKET CONNECTOR, FLATPAQ STRAIGHT SOLDER TAILS
DIMENSIONS: mm [INCHES]		CHK S. FLICKINGER 26FEB07		
TOLERANCES UNLESS OTHERWISE SPECIFIED:		APVD S. FLICKINGER 26FEB07		
0 PLC ±.5 [.020] 1 PLC ±.25 [.010] 2 PLC ±.25 [.010] 3 PLC ±.25 [.010] 4 PLC ±.25 [.010] ANGLES ±.5		PRODUCT SPEC -		
MATERIAL -	FINISH -	APPLICATION SPEC -	SIZE A2	CAGE CODE 00779
CUSTOMER DRAWING			DRAWING NO. 6646367	RESTRICTED TO -
			SCALE 4:1	SHEET 1 OF 3

ELCON FLATPAQ

THIS DRAWING IS UNPUBLISHED. RELEASED FOR PUBLICATION 20
 © COPYRIGHT 20 BY TYCO ELECTRONICS CORPORATION. ALL RIGHTS RESERVED.

LOC	DIST	REVISIONS					
GP	00	P	LTR	DESCRIPTION	DATE	DWN	APVD
		-		SEE SHEET 1	-	-	-



CONNECTOR	CATALOG MODULE #	QTY	SIZE NO.	CONTACT QTY	MATING PIN	MAX. CURRENT (PER CONTACT)	CONTACT SPACING	VOLTAGE RATING
SOCKET	FP100	3	8	6	1.25 X 7.00 [.049 X .276]	35 amps	7.50 [.2953]	250
	FP503	1	STRAIGHT GUIDE PIN					

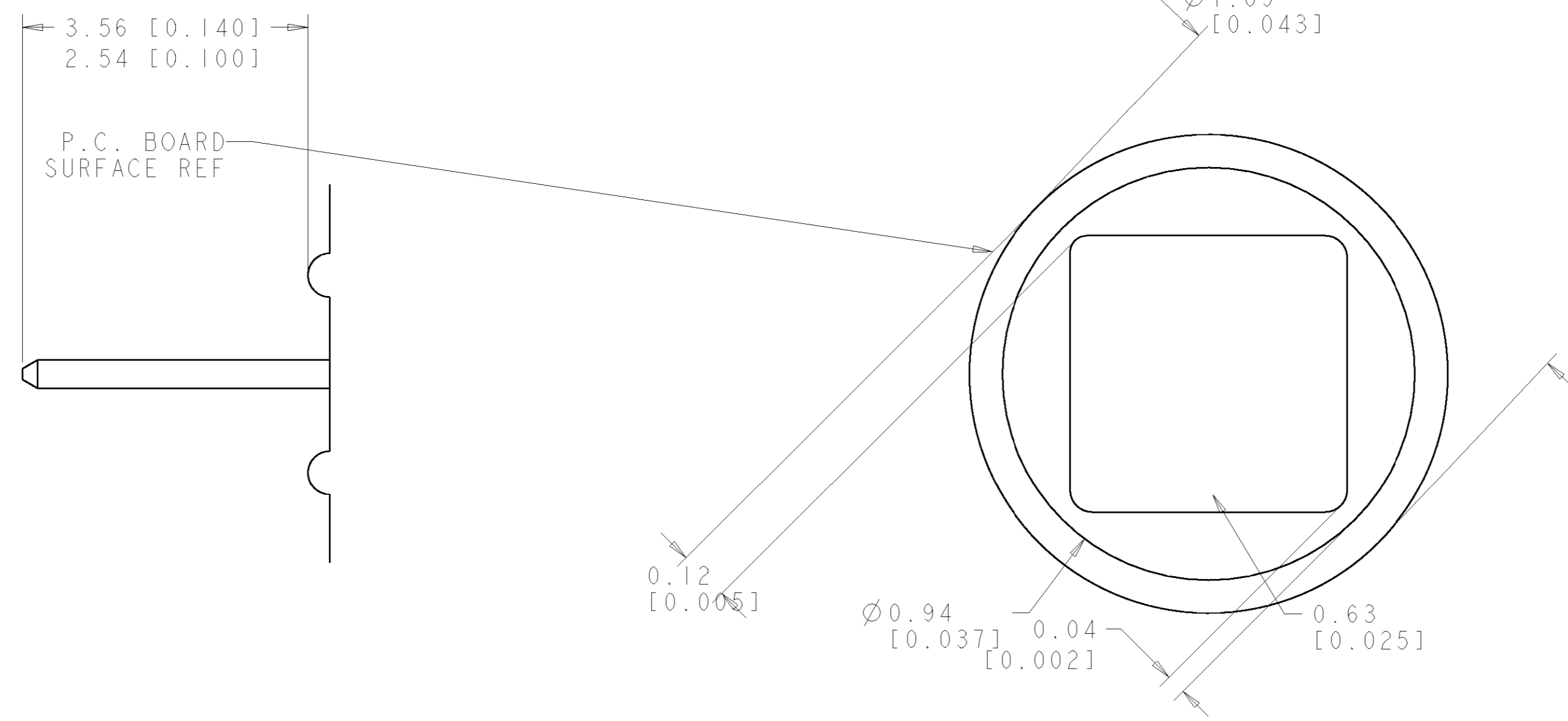
THIS DRAWING IS A CONTROLLED DOCUMENT FOR TYCO ELECTRONICS CORPORATION. IT IS SUBJECT TO CHANGE AND THE CONTROLLING ENGINEERING ORGANIZATION SHOULD BE CONTACTED FOR THE LATEST REVISION.

DWN	R. GRZYBOWSKI	26FEB07	Tyco Electronics Harrisburg, PA 17105-3608			
CHK	S. FLICKINGER	26FEB07				
APVD	S. FLICKINGER	26FEB07				
NAME	SOCKET CONNECTOR, FLATPAQ STRAIGHT SOLDER TAILS					
DIMENSIONS:	TOLERANCES UNLESS OTHERWISE SPECIFIED:		SIZE	CAGE CODE	DRAWING NO.	RESTRICTED TO
mm [INCHES]	0 PLC ± .5 [.020] 1 PLC ± .25 [.010] 2 PLC ± .25 [.010] 3 PLC ± .25 [.010] 4 PLC ± .25 [.010] ANGLES ± .5 FINISH		A2	00779	6646367	-
MATERIAL	-		WEIGHT	-		SCALE
-			CUSTOMER DRAWING		4:1	SHEET 2 OF 3

ELCON **FLATPAQ**

THIS DRAWING IS UNPUBLISHED. RELEASED FOR PUBLICATION 20
 © COPYRIGHT 20 BY TYCO ELECTRONICS CORPORATION. ALL RIGHTS RESERVED.

LOC	DIST	REVISIONS					
		P	LTR	DESCRIPTION	DATE	DWN	APVD
GP	00	-		SEE SHEET 1	-	-	-



6. SOLDER TAIL DETAIL
SCALE 10 : 1

△ SOLDER TERMINATION AREA
SCALE 40:1
RECOMMENDED PRINTED CIRCUIT HOLE
SOLDER HOLE
FINISHED HOLE: $\varnothing 1.02$ [.040] $\pm .08$ [.003]
DRILLED HOLE: $\varnothing 1.15$ [.0453] $\pm .013$ [.0005]
COPPER PLATE: .025 [.0010] MIN
TIN PLATE: .008 [.0003] MIN. (PER SURFACE)

ELCON **FLATPAQ**

THIS DRAWING IS A CONTROLLED DOCUMENT FOR TYCO ELECTRONICS CORPORATION IT IS SUBJECT TO CHANGE AND THE CONTROLLING ENGINEERING ORGANIZATION SHOULD BE CONTACTED FOR THE LATEST REVISION.		DWN R. GRZYBOWSKI 26FEB07	Tyco Electronics Harrisburg, PA 17105-3608	
DIMENSIONS: mm [INCHES]		CHK S. FLICKINGER 26FEB07	NAME SOCKET CONNECTOR, FLATPAQ STRAIGHT SOLDER TAILS	
TOLERANCES UNLESS OTHERWISE SPECIFIED:		APVD S. FLICKINGER 26FEB07	SIZE A200779	CAGE CODE C-6646367
0 PLC $\pm .5$ [.020]	1 PLC $\pm .25$ [.010]	PRODUCT SPEC -	DRAWING NO -	RESTRICTED TO -
2 PLC $\pm .25$ [.010]	3 PLC $\pm .25$ [.010]	APPLICATION SPEC -	SCALE 4:1	SHEET 3 OF 3
4 PLC $\pm .25$ [.010]	ANGLES $\pm .5$	WEIGHT -	CUSTOMER DRAWING	REV A
MATERIAL -	FINISH -			