

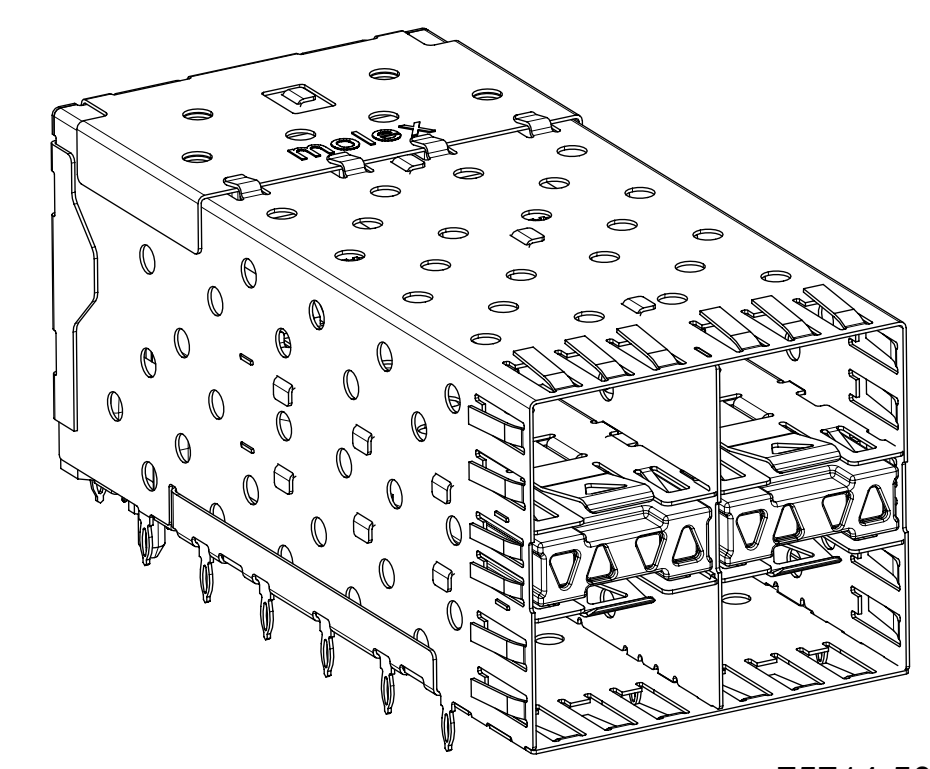
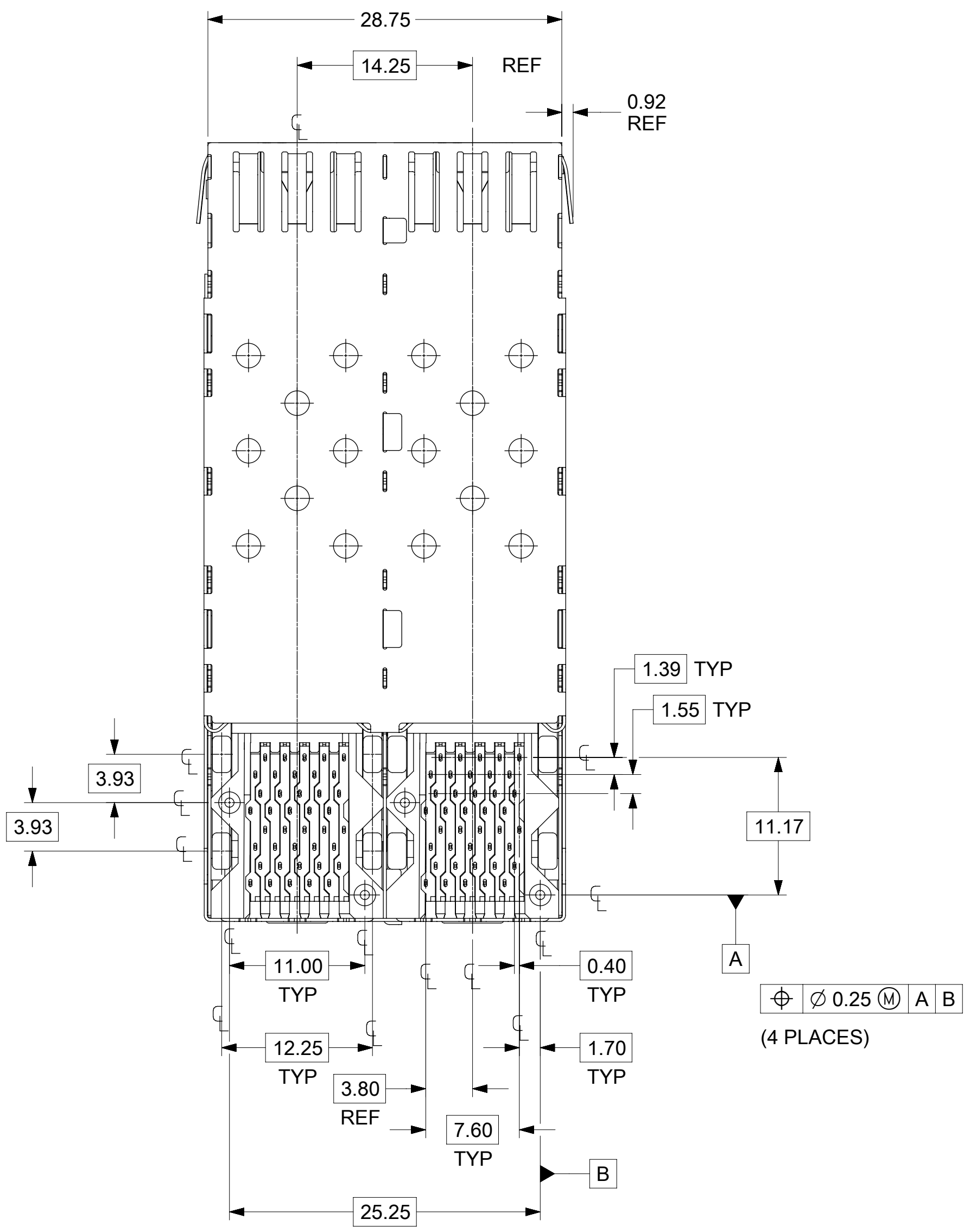
NOTES

1. MATERIAL:
 - CAGE: NICKEL SILVER, THICKNESS: 0.25mm
 - CONNECTOR HOUSING: GLASS FILLED HIGH TEMP PLASTIC, 94 V-0 COLOR BLACK
 - OVERMOLDED TERMINALS HOUSING: GLASS FILLED HIGH TEMP PLASTIC, 94 V-0, COLOR: BLACK
 - TERMINALS: TIN BRASS
 - LIGHT PIPES: POLYCARBONITE, 94 V-0, COLOR: CLEAR
 - LIGHT PIPE HOUSING: ZINC
2. FINISH:
 - LIGHT PIPE HOUSING: 150 MICROMETERS NICKEL OVER 150 MICROMETERS COPPER
 - TERMINAL: CONTACT AREA: 0.76 MICROMETERS MINIMUM, HARD GOLD OVER 1.27 MICROMETERS MINIMUM NICKEL.
 - COMPLIANT TAIL - TIN/LEAD OPTION: 0.76 - 1.52 MICROMETERS 90/10 TIN/LEAD OVER 0.76 - 1.52 MICROMETERS NICKEL
 - COMPLIANT TAIL - TIN OPTION: 0.76 - 1.52 MICROMETERS TIN OVER 0.76 - 1.52 MICROMETERS NICKEL
3. REFER TO PS-75310-001 PRODUCT SPEC FOR ALL ELECTRICAL, MECHANICAL, AND ENVIRONMENTAL SPECIFICATIONS.
4. LIGHT PIPE PAD LAYOUT IS FOR 0805 LOW-PORFILE LED PACKAGE, FOR OTHER RECOMMENDED LAYOUTS REFER TO MOLEX'S REPORT TS-75310-001.
5. REFER TO PK-75714-001 FOR ALL PACKAGING SPECIFICATIONS.
6. THE CURVED TAILS THAT GO INTO THE HOLES LOCATED BY THESE DIMENSIONS ARE BEING ELIMINATED. TO ACCOMMODATE THIS CONVERSION, IT IS RECOMMENDED THAT BOARDS DESIGNED TO THIS PRINT REVISION INCLUDE THESE HOLES.
7. PART COMPLIES WITH COSMETIC SPECIFICATION PS-45499-002. SEE SHEET 4 SECTION A-A FOR SURFACE CLASSIFICATIONS. UNDERSIDE OF CAGE COMPLIES WITH CLASS "C".

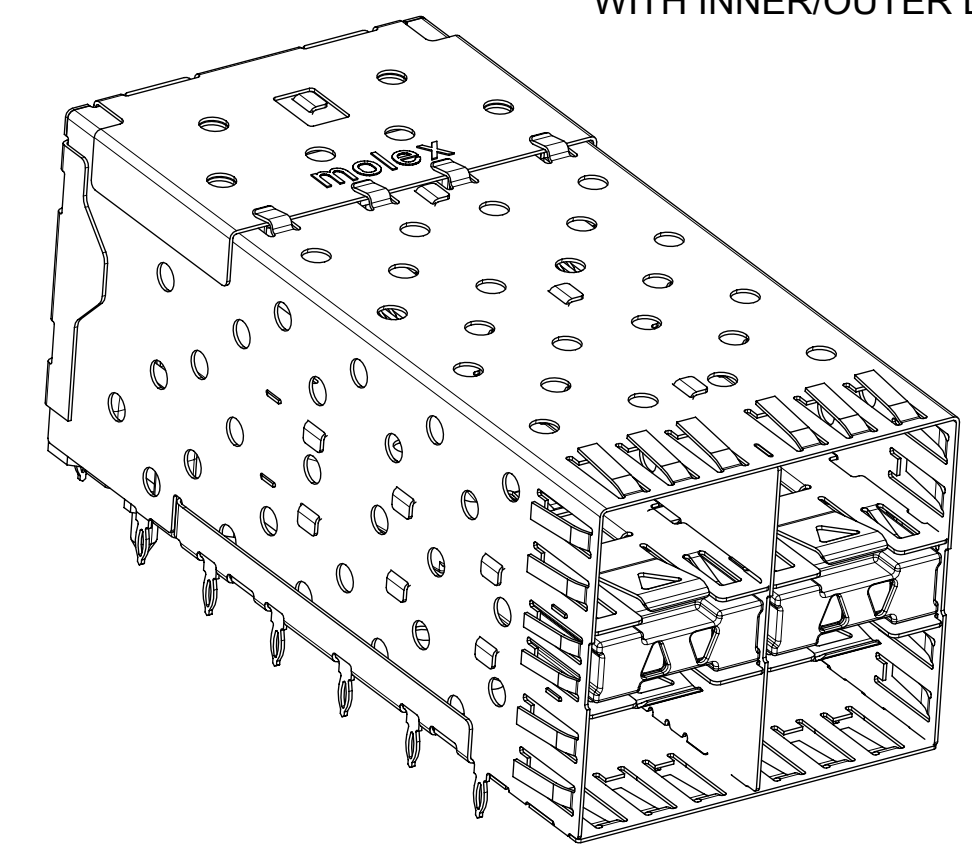
PART NUMBER	DESCRIPTION	VIEW	COMPLIANT TAIL PLATING
75714-5001	4 PORT LIGHT PIPE	SEE PG 2	TIN
75714-5002	INNER 2 PORTS	SEE PG 2	TIN

THIS DRAWING CONTAINS INFORMATION THAT IS PROPRIETARY TO MOLEX ELECTRONIC TECHNOLOGIES, LLC AND SHOULD NOT BE USED WITHOUT WRITTEN PERMISSION

DIMENSION UNITS	SCALE	CURRENT REV DESC: MIGRATED TO NX		molex		
mm	3:1					
GENERAL TOLERANCES (UNLESS SPECIFIED)		EC NO: 648356		STACKED SFP 2X2 MEDIUM HEIGHT ASSY, PRESS-FIT TAILS WITH LIGHT PIPES		
ANGULAR TOL	± 5.0°	4 PLACES	±	DRWN: SKRISHNAMURT	2018/10/09	PRODUCT CUSTOMER DRAWING
		3 PLACES	±	CHK'D: GGA	2021/01/08	
		2 PLACES	± 0.13	APPR: GGA	2021/01/08	DOCUMENT NUMBER
		1 PLACE	± 0.25	INITIAL REVISION:		DOC TYPE
		0 PLACES	±	DRWN: JLONG	2004/12/01	DOC PART
DRAFT WHERE APPLICABLE MUST REMAIN WITHIN DIMENSIONS		THIRD ANGLE PROJECTION	DRAWING	SERIES	MATERIAL NUMBER	CUSTOMER
			C-SIZE	75714	SEE TABLE	GENERAL MARKET
						REVISION
						SD-75714-001
						PSD 001
						E1
						SHEET NUMBER
						1 OF 4

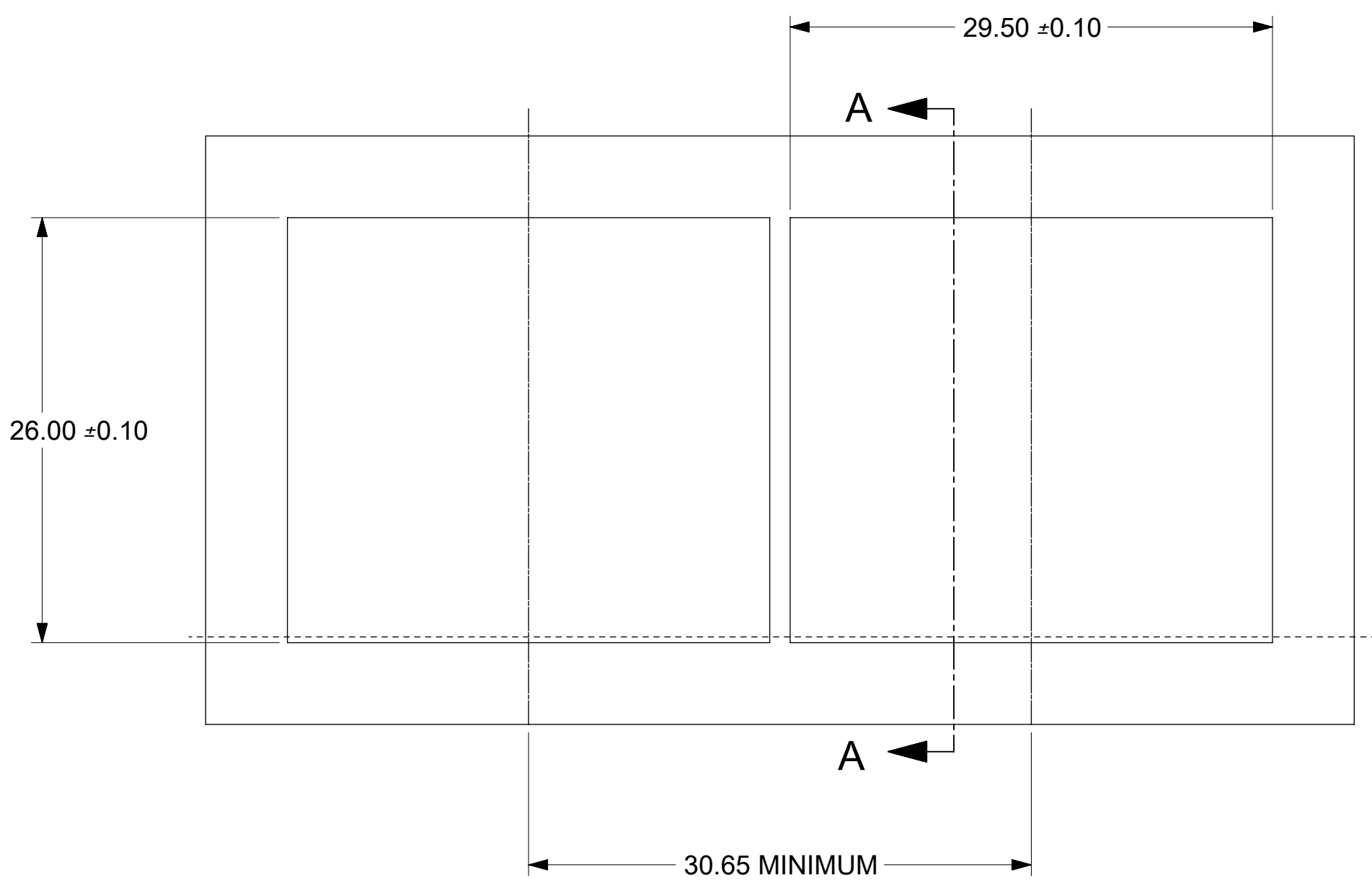


75714-5001
WITH INNER/OUTER LIGHT PIPES

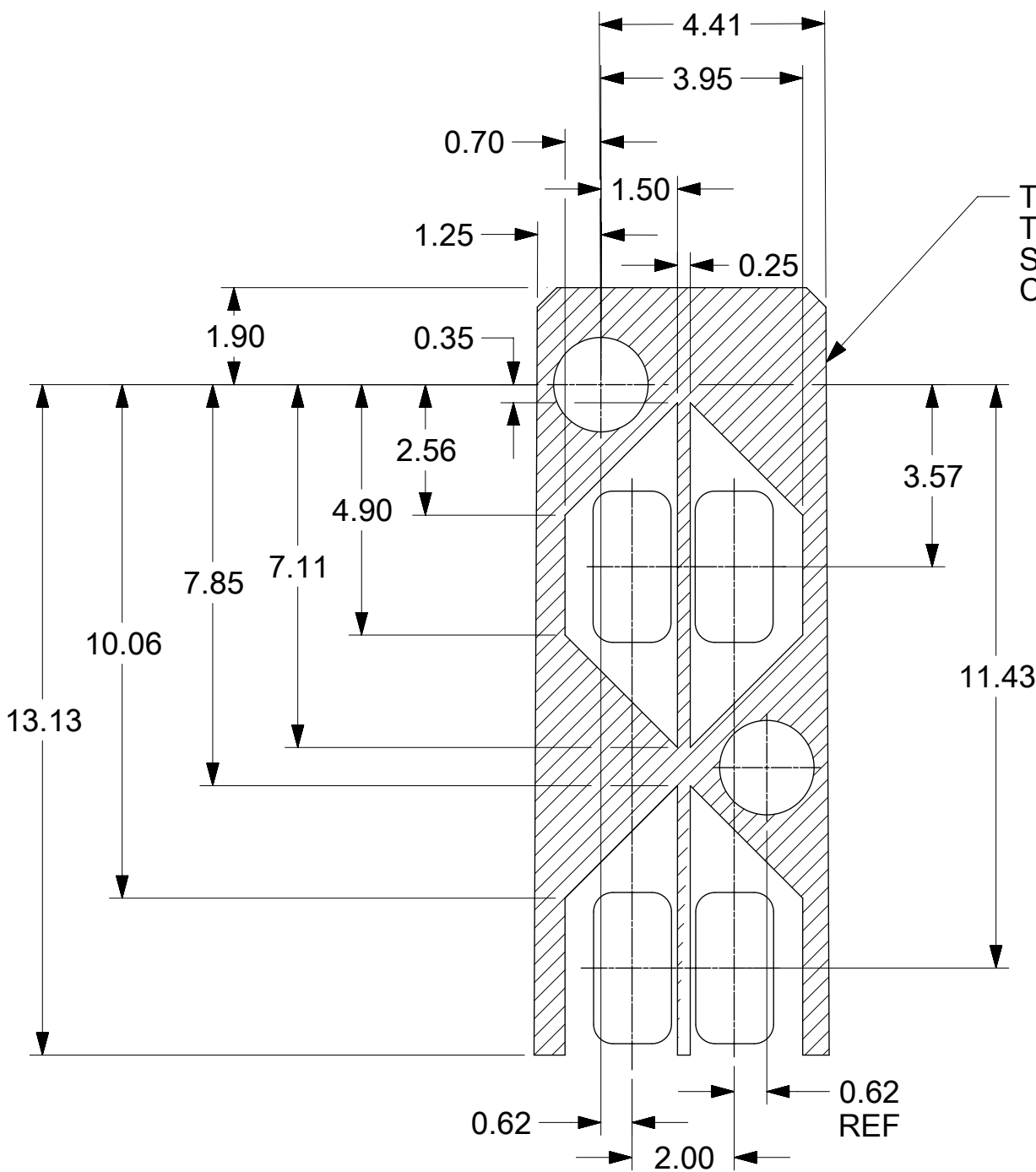
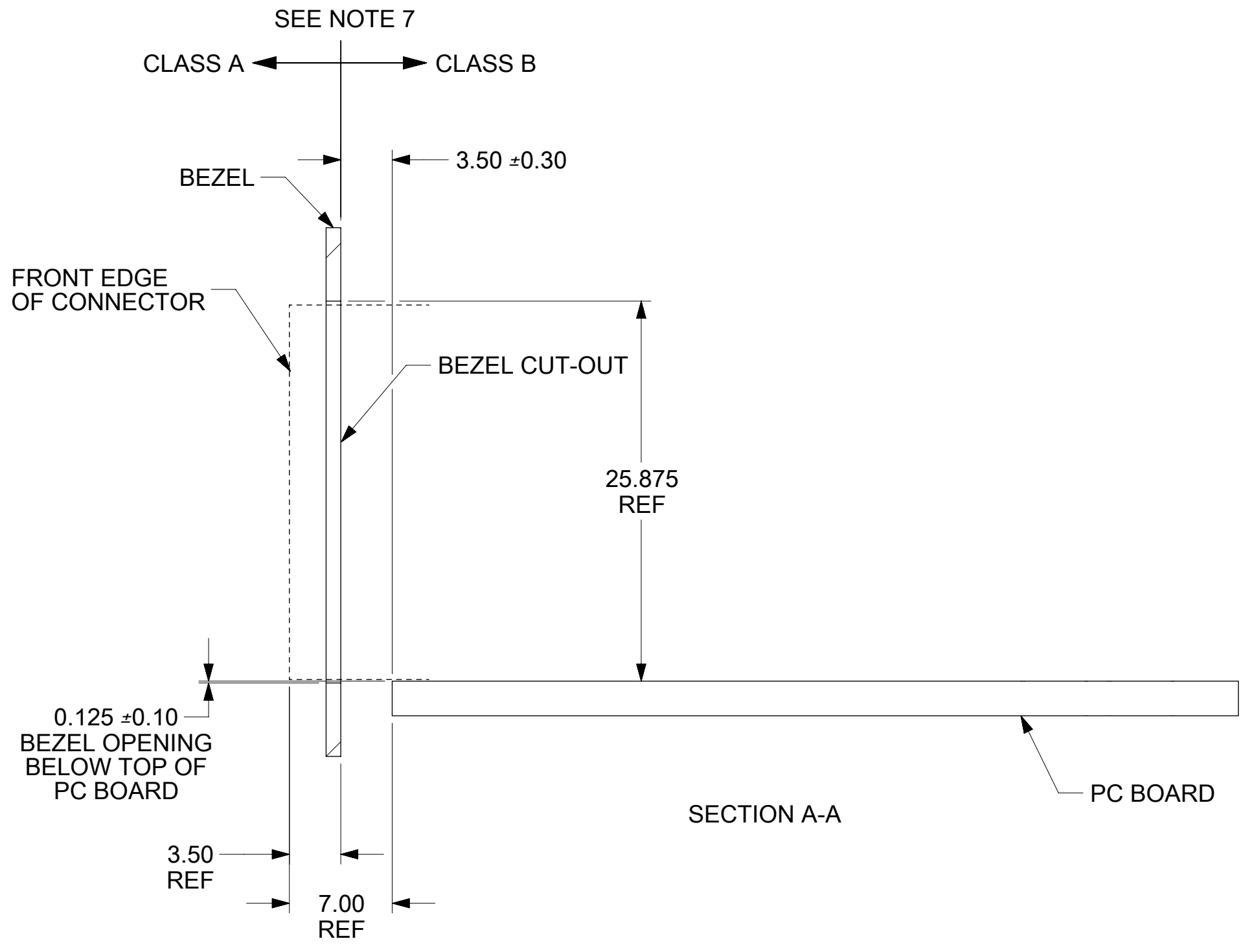


75714-5002
WITH INNER LIGHT PIPES

THIS DRAWING CONTAINS INFORMATION THAT IS PROPRIETARY TO MOLEX ELECTRONIC TECHNOLOGIES, LLC AND SHOULD NOT BE USED WITHOUT WRITTEN PERMISSION									
DIMENSION UNITS		SCALE		CURRENT REV DESC: MIGRATED TO NX					
mm		3:1							
GENERAL TOLERANCES (UNLESS SPECIFIED)				EC NO: 648356				STACKED SFP 2X2 MEDIUM HEIGHT ASSY, PRESS-FIT TAILS WITH LIGHT PIPES	
ANGULAR TOL ± 5.0°				DRWN: SKRISHNAMURT 2018/10/09					
4 PLACES ±				CHK'D: GGA 2021/01/08				PRODUCT CUSTOMER DRAWING	
3 PLACES ±				APPR: GGA 2021/01/08					
2 PLACES ± 0.13				INITIAL REVISION:				DOCUMENT NUMBER	
1 PLACE ± 0.25				DRWN: JLONG 2004/12/01					
0 PLACES ±				APPR: RNELSON 2004/12/02				SD-75714-001	
DRAFT WHERE APPLICABLE MUST REMAIN WITHIN DIMENSIONS		THIRD ANGLE PROJECTION		DRAWING		SERIES		MATERIAL NUMBER	
				C-SIZE		75714		SEE TABLE	
CUSTOMER		GENERAL MARKET		SHEET NUMBER		2 OF 4		DOC TYPE DOC PART REVISION PSD 001 E1	



BEZEL CUT-OUT CENTER SPACING DETAIL
BEZEL THICKNESS: 0.8 -2.6



THE HATCHED AREA IN THIS VIEW INDICATES ZONES THAT ARE OCCUPIED BY THE PLASTIC HOUSING THAT SEATS AGAINST THE PCB AND BY THE VERTICAL METAL CAGE WALL THAT STOPS JUST SHORT OF THE PCB

DETAIL - LIGHT PIPE LOCATION AND OTHER ZONES
SCALE 8:1

THIS DRAWING CONTAINS INFORMATION THAT IS PROPRIETARY TO MOLEX ELECTRONIC TECHNOLOGIES, LLC AND SHOULD NOT BE USED WITHOUT WRITTEN PERMISSION									
DIMENSION UNITS		SCALE		CURRENT REV DESC: MIGRATED TO NX					
mm		3:1							
GENERAL TOLERANCES (UNLESS SPECIFIED)				EC NO: 648356				STACKED SFP 2X2 MEDIUM HEIGHT ASSY, PRESS-FIT TAILS WITH LIGHT PIPES	
ANGULAR TOL ± 5.0°				DRWN: SKRISHNAMURT 2018/10/09					
4 PLACES ±				CHK'D: GGA 2021/01/08				PRODUCT CUSTOMER DRAWING	
3 PLACES ±				APPR: GGA 2021/01/08					
2 PLACES ± 0.13				INITIAL REVISION:				DOCUMENT NUMBER SD-75714-001	
1 PLACE ± 0.25				DRWN: JLONG 2004/12/01					
0 PLACES ±				APPR: RNELSON 2004/12/02				DOC TYPE DOC PART REVISION PSD 001 E1	
DRAFT WHERE APPLICABLE MUST REMAIN WITHIN DIMENSIONS		THIRD ANGLE PROJECTION		DRAWING		SERIES		SHEET NUMBER	
				C-SIZE		75714		4 OF 4	

DOCUMENT STATUS	P1	RELEASE DATE	2021/01/08 14:15:10
-----------------	----	--------------	---------------------