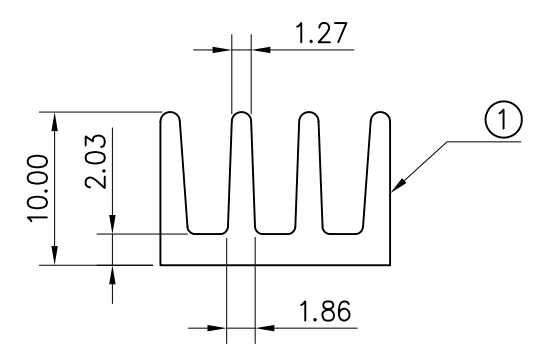
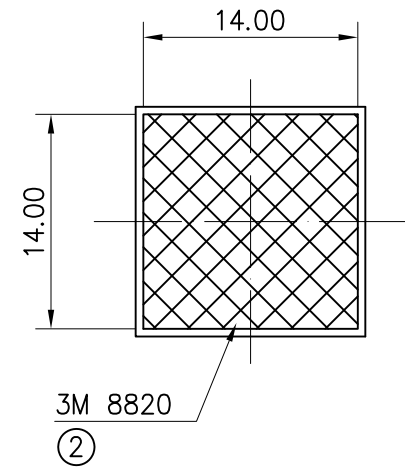
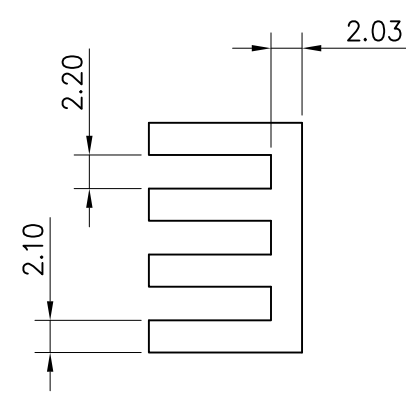
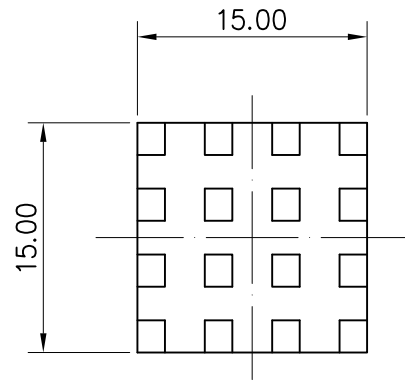


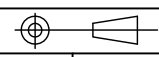
REV	Description	Approval	Date
A			06/01/2017



Unindicated TOL.

.X	±0.5mm
.XX	±0.25mm
.XXX	±0.1mm
ANG.	±0.5°

Part No
CS9461510B1



2	TIM	14*14mm 3M 8820	1PC			
1	HEATSINK	15*15*10mm	1PC			
NO.	NAME	SPECIFICATION	NUMBER			
		NAME	HEATSINK			
		MATERIAL	AL6063-T5			
APPROVAL	CHECK	DRAWING	FINISH	BLACK ANODIZE		
Michel Gelin		L.Wang	UNIT	mm	PAGE	1/1
DATE	06/01/2017	MM/DD/YYYY	REV	A	SCALE	