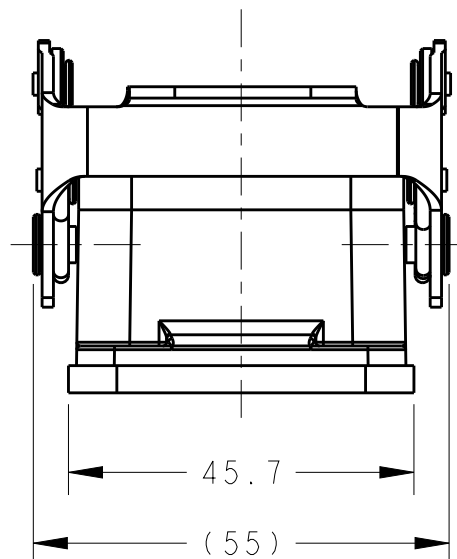
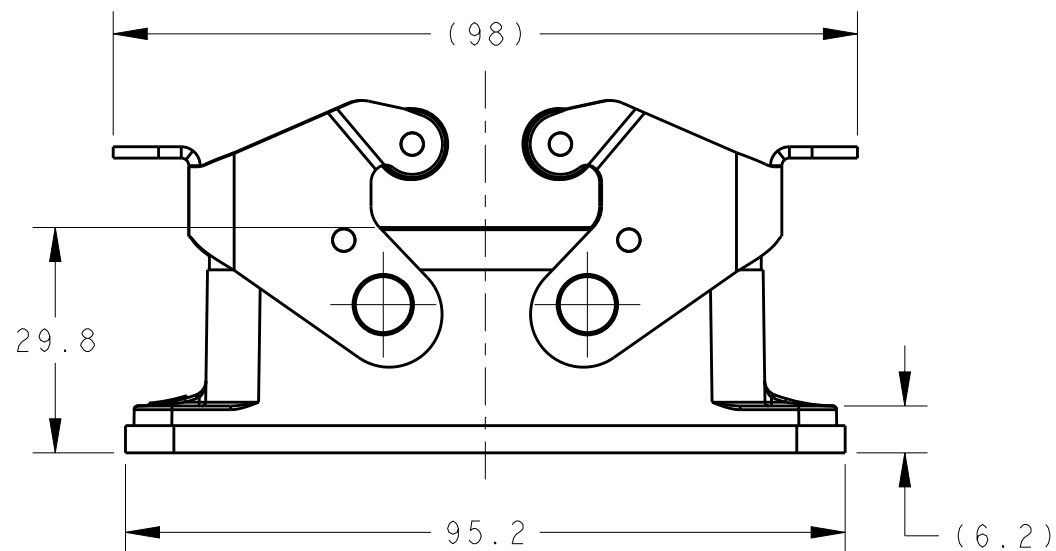


THIS DRAWING IS UNPUBLISHED. RELEASED FOR PUBLICATION 20
 © COPYRIGHT 20 BY - ALL RIGHTS RESERVED.

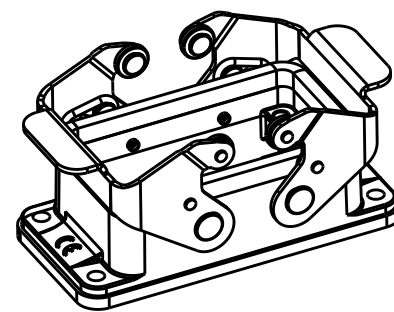
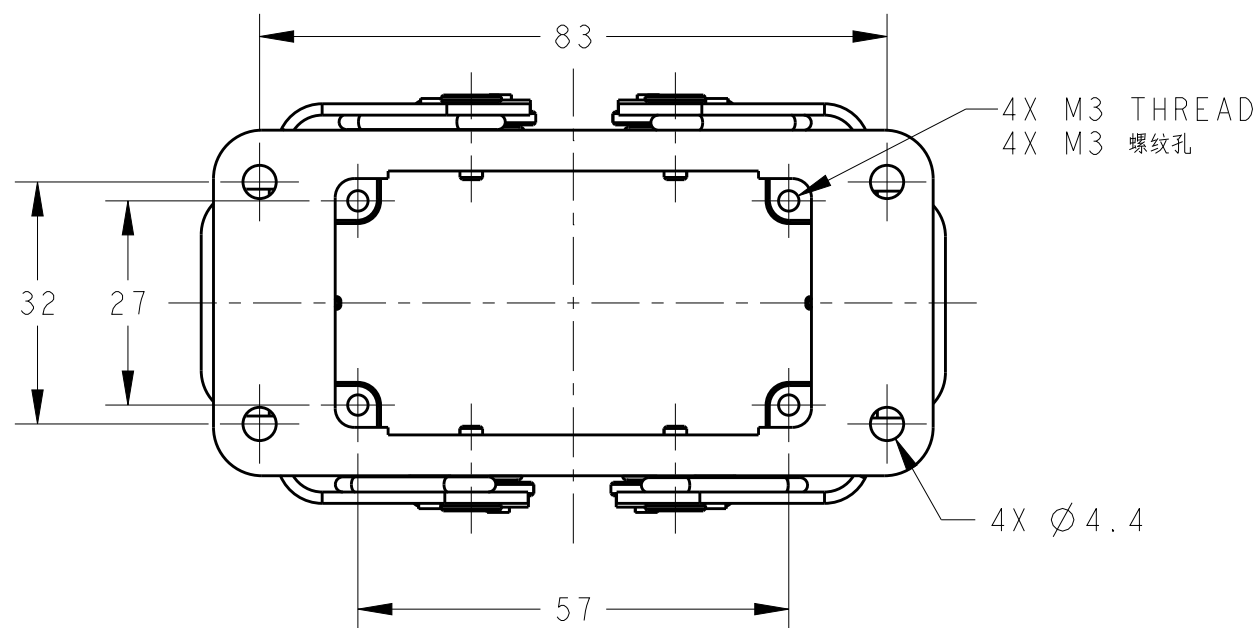
REVISIONS

P	LTR	DESCRIPTION	DATE	DWN	APVD
	A	INITIAL	25JUN2015	DW	CW
	B	ECR-20-008181	03JUL2020	WQR	CW



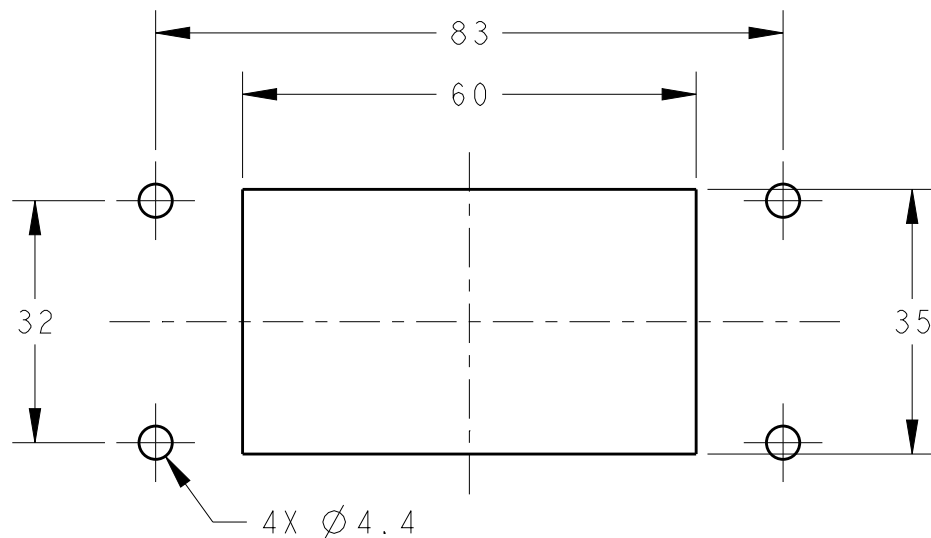
NOTES:
 1. TECHNICAL CHARACTERISTICS:
 HOUSING MATERIAL: DIE CAST ALUMINIUM ALLOY
 SURFACE: POWDER COATED, COLOR SEE TABLE
 DEGREE OF PROTECTION: IP65 (MATED)

注释:
 1. 技术参数:
 下壳材料: 铝合金
 表面处理: 粉末涂层, 颜色见表格
 防护等级: IP65 (配合)




SCALE 1:2

PANEL CUT OUT



T1410104000-000	H10B-AGS	SILVER WHITE, OUTSIDE
T1410107000-000	H10B-AGS	RED, OUTSIDE
T1410101000-100	H10B-AGS	GREY, INSIDE AND OUTSIDE
T1410101000-000	H10B-AGS	GERY, OUTSIDE
PART NUMBER	DESCRIPTION	HOUSING COLOR AND TYPE

THIS DRAWING IS A CONTROLLED DOCUMENT.		DWN 25JUN2015 David Wang	 TE Connectivity	
DIMENSIONS: mm		CHK 25JUN2015 Chris Wang		
TOLERANCES UNLESS OTHERWISE SPECIFIED:		APVD 25JUN2015 Xiang Xu	NAME H10B-AGS	
0 PLC ±-		PRODUCT SPEC 108-137013	SIZE	
1 PLC ±-		APPLICATION SPEC 114-137013	CAGE CODE	
2 PLC ±-		WEIGHT	DRAWING NO	
3 PLC ±-		Customer Drawing	RESTRICTED TO	
4 PLC ±-			A300779	
ANGLES ±-			G-T141010X000X00	
FINISH			SCALE 1:1	
-			SHEET 1 OF 1	
-			REV B	