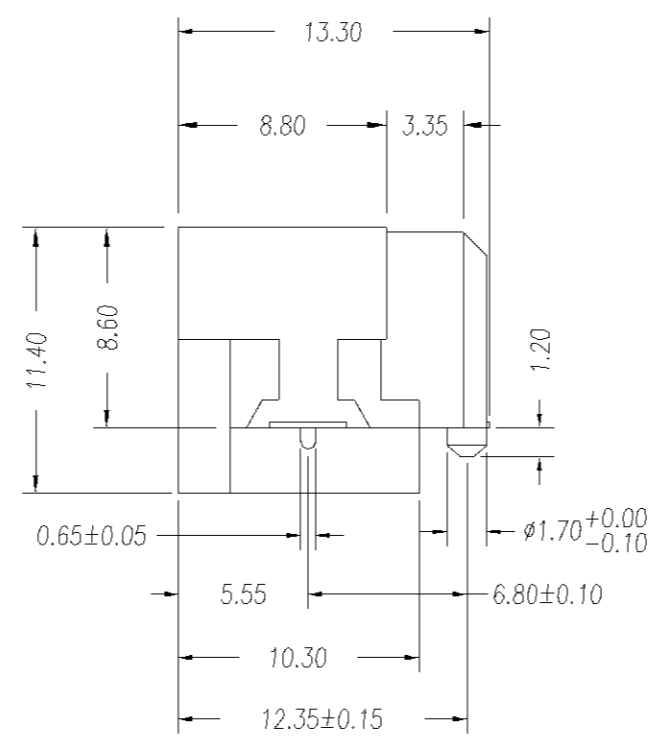
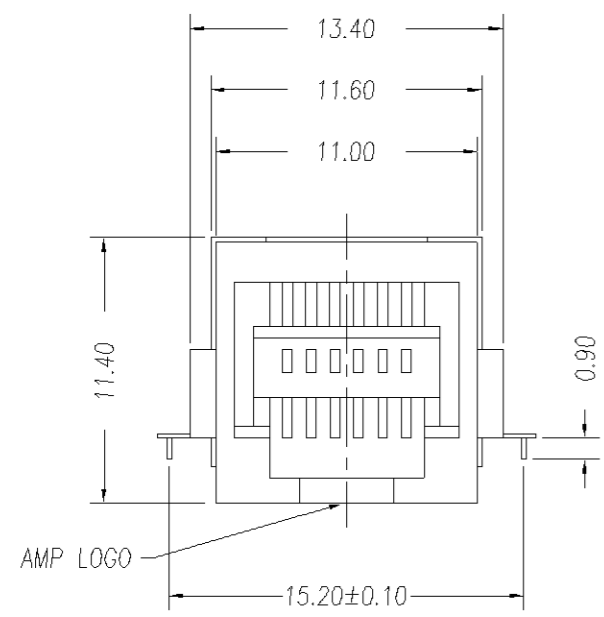


RECOMMENDED P.C.B. LAYOUT (TOP VIEW)



NOTE :

- MATERIAL
 1. COVER : COPPER ALLOY.
 2. HOUSING : HIGH TEMPERATURE THERMOPLASTIC, UL 94V-0, BLACK COLOR.
 3. CONTACT : COPPER ALLOY.
 4. SHELL : COPPER ALLOY.
- FINISH
 1. CONTACT :
 GOLD PLATED(SEE TABLE) ON CONTACT AREA OVER, TIN/LEAD PLATED ON SOLDER TAIL, NICKEL UNDERPLATING OVER ALL.
 2. SHELL :
 GOLD FLASH ON SOLDER TAIL, NICKEL UNDERPLATING OVER ALL.
 3. GENERAL TOLERANCES : DIM. ± 0.20
 4. PCB TOLERANCES : DIM. ± 0.05
 5. QUALIFICATION TEST REPORT : 501-57068

NO	CONTACTS	MIN. GOLD THICKNESS	PART NUMBER
	6P6C	15μ"	440208-5
	6P2C	15μ"	440208-4
PRODUCTION	6P2C	10μ"	440208-3
	6P2C	5μ"	440208-2
	6P2C	G/F	440208-1

PRINT	DIST	DATE	BY	CHK	DATE	BY	CHK
C	-2 & -3 REVISED	FZ00-0252-04	JL	SH	02NOV 2004		
B	ADD -5	FZ00-0067-03	AW	OH	24MAR 2003		
A	REVISED	FZ00-0130-01	OH	JC	10DEC 2001		
O	REVISION RECORD	FW00-0100-00	SH	JC	01DEC 2000		
LTR	REVISION RECORD	ECN	DWN	CHK			

TOLERANCES UNLESS OTHERWISE SPECIFIED:	DWN	J. LEE
0 PLC ±		02-NOV-2004
1 PLC ±0.2	CHK	S. HOU
2 PLC ±		02-NOV-2004
3 PLC ±		
ANGLES ±		
MATERIAL	APVD	W.J. KE
SEE NOTE		02-NOV-2004
FINISH	PRODUCT SPEC	
SEE NOTE	108-57117	
	APPLICATION SPEC	
	WEIGHT	

tyco TYCO HOLDINGS (BERMUDA) VII LTD. TAIWAN BRANCH			
Electronics			
NAME			
MODULAR JACK , RJ11, SMT TYPE			
LOC	SIZE	DRAWING NO	REV
DW	A ₃	C-440208	C
SCALE		SHEET	
--		1 OF 2	

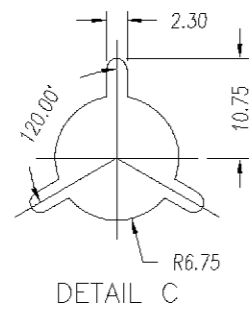
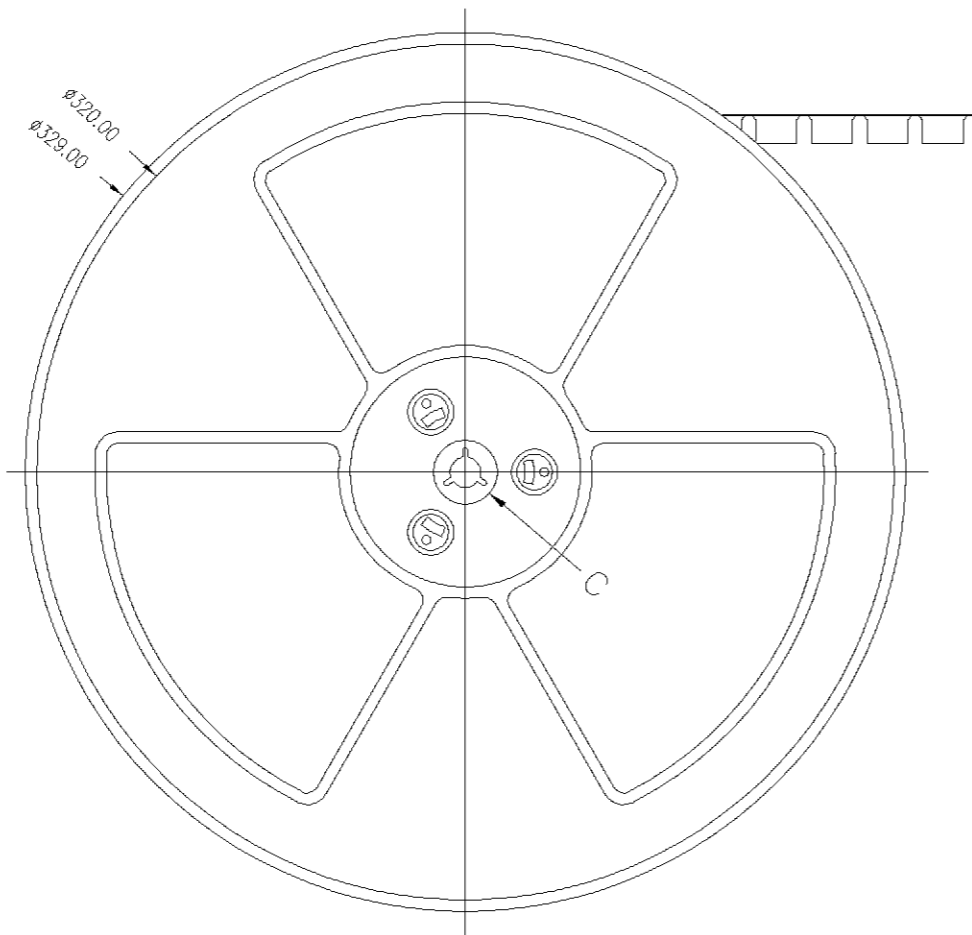
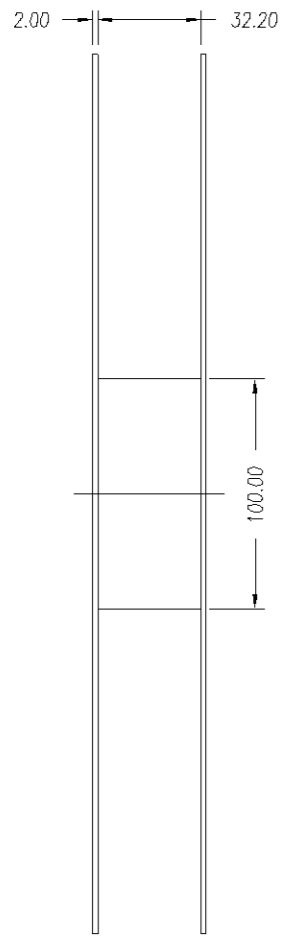
NUMBER
C-440208

3RD ANGLE PROJECTION

METRIC

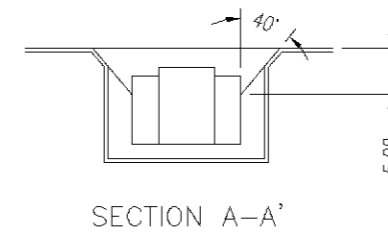
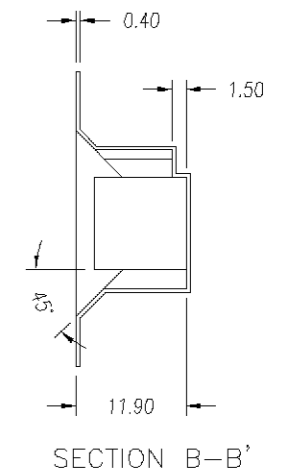
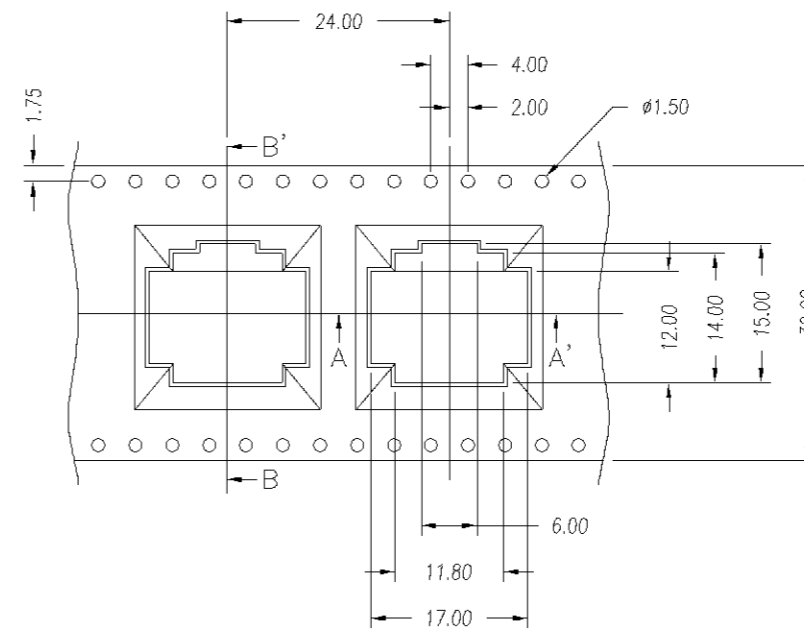
THIS INFORMATION IS CONFIDENTIAL AND IS DISCLOSED TO YOU ON CONDITION THAT NO FURTHER DISCLOSURE IS MADE BY YOU TO OTHER THAN AMP PERSONNEL WITHOUT WRITTEN AUTHORIZATION FROM AMP (TAIWAN) LTD.

PRINT DIST
DW



NOTE :

1. 200PCS/REEL
2. 1800PCS/CARTON
3. GROSS WT. 3.6 KG/CARTON



	SEE SHEET 1.			
LTR	REVISION RECORD	ECN	DWN/CHK	DATE

TOLERANCES UNLESS OTHERWISE SPECIFIED:		DWN	J. LEE	tyco TYCO HOLDINGS (BERMUDA) VII LTD. TAIWAN BRANCH
0 PLC	±		02-NOV-2004	
1 PLC	±0.2	CHK	S. HOU	NAME MODULAR JACK , RJ11, SMT TYPE
2 PLC	±		02-NOV-2004	
3 PLC	±			LOC SIZE DRAWING NO REV DW A ₃ C-440208 C
ANGLES	±'			
MATERIAL	SEE NOTE	APVD	W.J. KE	SCALE SHEET -- 2 OF 2
FINISH	SEE NOTE	PRODUCT SPEC	02-NOV-2004	
		APPLICATION SPEC		
		WEIGHT		

8

7

6

5

4

3

2

1 CUSTOMER DRAWING

D

C

B

A