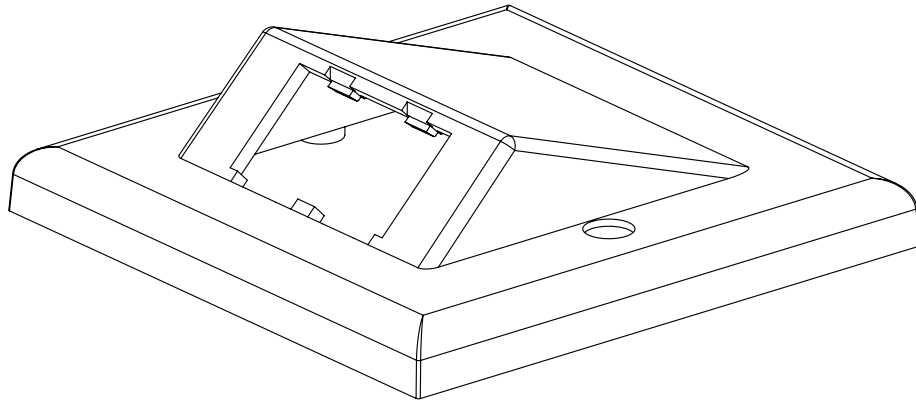
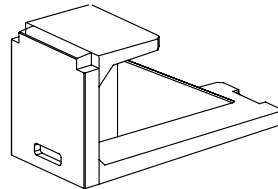


THIS COPY IS PROVIDED ON A RESTRICTED BASIS AND IS NOT TO BE USED IN ANY WAY DETRIMENTAL TO THE INTERESTS OF PANDUIT CORP.



P/N: CFPUKS2**Y
 REFERENCE CUSTOMER DRAWING
 02479-231 FOR DIMENSIONS



P/N: CMB**
 REFERENCE CUSTOMER DRAWING
 #35241-01 FOR DIMENSIONS

PANDUIT P/N	WEIGHT
CFPUKS2B**Y	.08 LB/1 PCS (35.9 g/1 PCS)

NOTES:

- SEE CURRENT CATALOG FOR ADDITIONAL PART NUMBER SUFFIXES TO INDICATE COLOR AND OR PACKAGE QUANTITY.
- SEE CATALOG FOR COMPLETE LIST OF PARTS APPLICABLE FOR USE WITH THESE PARTS.
- PART INCLUDES:
 - 1- CFPUKS2**Y
 - 1- CMB**
 - 2- M3.5 X 30MM SCREW

PART NUMBER		CFPUKS2B**Y	
TITLE			
MINI-COM 2 POSITION 86mm X 86mm SLOPED		FACEPLATE WITH BLANK MODULE	
CUSTOMER DRAWING			
ITEM REVISION NAME		M02479FY/00	
DATASET FILE NAME		M02479FY_DC157/00B	
UNLESS OTHERWISE SPECIFIED, DIMENSIONAL TOLERANCES ARE: IN [mm]		MATERIAL:	
.x ± .xx ± .03 [.8]		ABS	
.xxx ± .010 [.3]		DRAWING NUMBER:	
ANGLES ±		02479-157	
THIRD ANGLE PROJECTION		SHT 1 OF 1	
DRAWN BY	DATE	CHK	SCALE
JSP	4-19-06	MJD	NONE
REV	DATE	BY	CHK
1	4/22/14	JSP	REFR
R	4-19-06	JSP	MJD
APR	DESCRIPTION		ECN
	A. REVISED DRAWING TITLE BLOCK.		02479-157
	RELEASED TO PRODUCTION		02479-157

REV	DATE	BY	CHK	APR	DESCRIPTION	ECN
1	4/22/14	JSP	REFR	MMR	A. REVISED DRAWING TITLE BLOCK.	02479-157
R	4-19-06	JSP	MJD	MJD	RELEASED TO PRODUCTION	02479-157

D10100DA/14

2

1

2

1