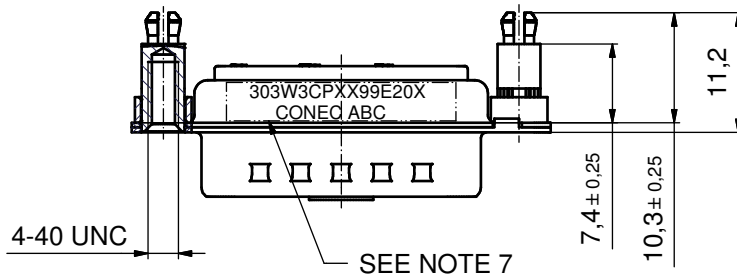
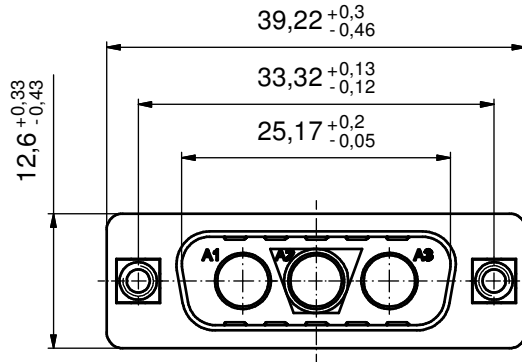
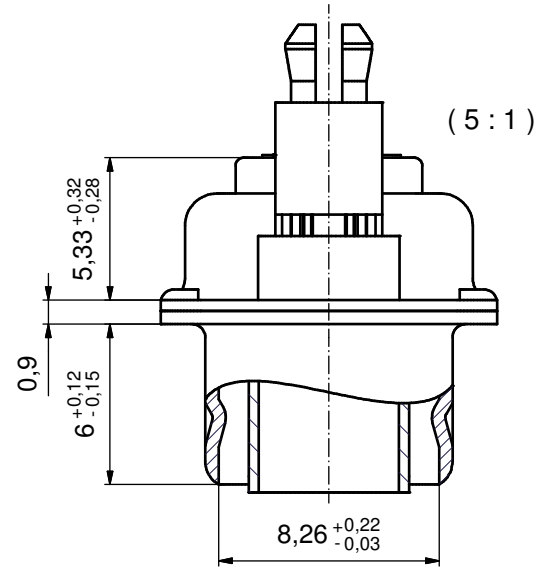
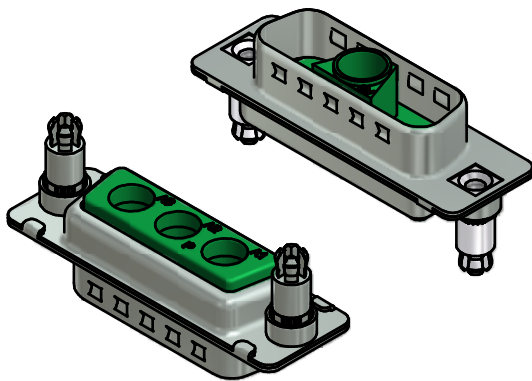
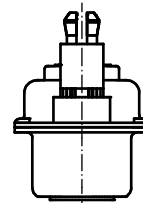


P.C.B. HOLE DRILLINGS
(P.C.B. TOP SIDE)



SEE NOTE 7



NOTES:

- METALSHELLS: STEEL; min. 315µm TIN OVER 40-80µm NICKEL
- INSULATORS: PBT GF UL 94 V-0, GREEN
- NO CONTACTS ON POS. A1 - A3
- THREADED SPACER CLIPS: COPPER ALLOY; min. 200µm TIN OVER 80µm NICKEL
PCB-HOLE: $\varnothing 3.1 \pm 0.1$; PCB THICKNESS 1,6mm
- COLLARS: COPPER ALLOY; min. 200µm TIN OVER 80µm NICKEL
- MAXIMUM TORQUE VALUE FOR THREAD: 6 in.LB
- CONNECTOR IS PART MARKED: 303W3CPXX99E20X CONEC ABC

Directive 2002/95/EC RoHS compliant

| | | | | | | |
|--|-------------|------|--|------------------|-----------|---------------------------|
| THIS DRAWING MAY NOT BE COPIED OR REPRODUCED IN ANY WAY, AND MAY NOT BE PASSED ON TO A THIRD PARTY WITHOUT WRITTEN PERMISSION. OWNERSHIP AND COPYRIGHT OF CONEC GmbH DO NOT ALTER CAD DRAWING BY HAND | | | | tolerance | | scale: 2:1 (5:1) |
| | | | | dim. in mm | | material: SEE NOTES |
| | | | | date | name | title: |
| | | | | drawn 02.05.2011 | Henneboel | D-SUB COMBINATION MALE |
| | | | | appd. 02.05.2011 | Koch | 3W3CP |
| | | | | norm | | with threaded spacer clip |
| | | | | d-old | | dwg no: Inventor |
| a | Original | | | | 13K1A3668 | DIN-A3 |
| rev. | description | date | | | name | part no: 303W3CPXX99E20X |