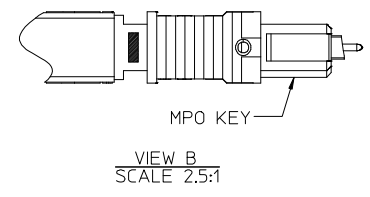
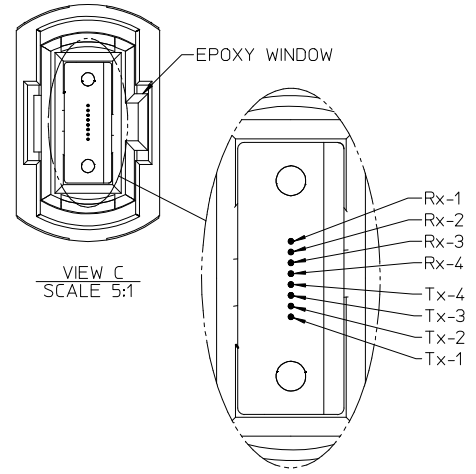
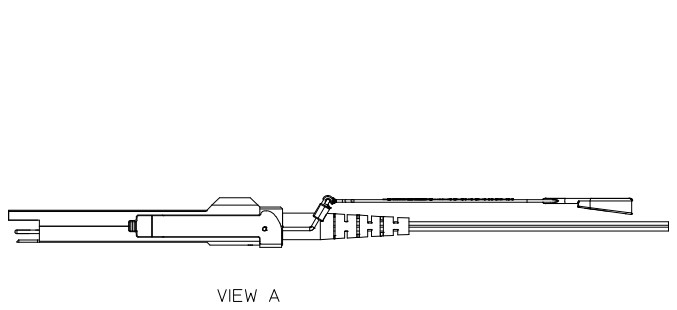
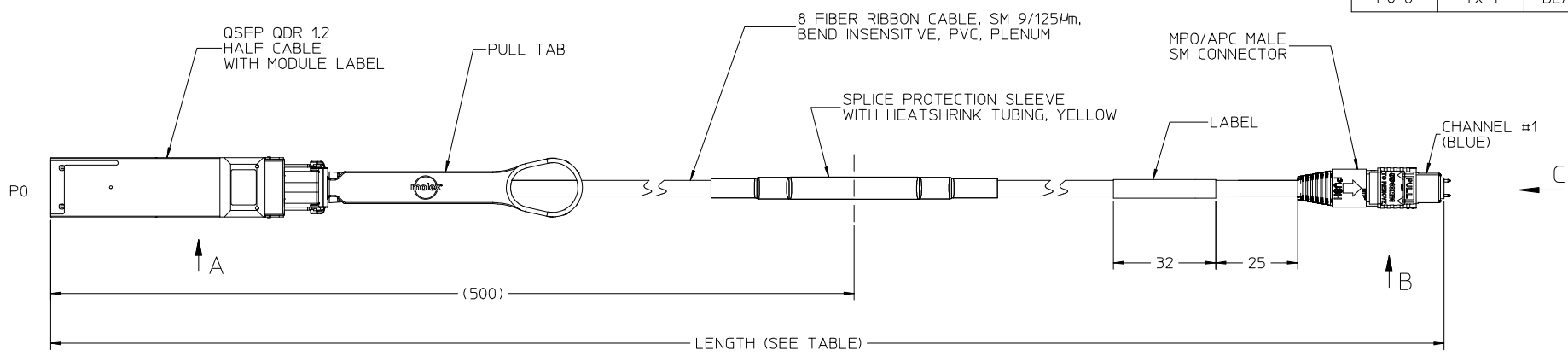


MOLEX P/N	LOSS BUDGET	LENGTH [m]
106414-1201	2dB	1 +0.2/-0
106414-1202		2 +0.2/-0
106414-1203		3 +0.2/-0
106414-1205	4dB	5 +0.2/-0
106414-1401		1 +0.2/-0
106414-1402		2 +0.2/-0
106414-1403	6dB	3 +0.2/-0
106414-1405		5 +0.2/-0
106414-1601		1 +0.2/-0
106414-1603	6dB	3 +0.2/-0
106414-1605		5 +0.2/-0

CONNECTIONS		
FROM	TO	FIBER COLOR
P0-1	Rx-1	BLUE
P0-2	Rx-2	ORANGE
P0-3	Rx-3	GREEN
P0-4	Rx-4	BROWN
P0-5	Tx-4	SLATE
P0-6	Tx-3	WHITE
P0-7	Tx-2	RED
P0-8	Tx-1	BLACK



- NOTES:
1. DUST CAPS ARE NOT SHOWN BUT INCLUDED.
  2. MAXIMUM INSERTION LOSS PER ASSEMBLY @ 1550nm: SEE TABLE
  3. LABEL IS PRINTED WITH MOLEX PART NUMBER AND SERIAL NUMBER.

<b>ENTER DESCRIPTION</b> EC NO: MF2013-0369 DRWNS:ERNST 2012/12/26 CHKD: LG/JMIN APPR: LG/JMIN 2012/12/28	QUALITY SYMBOLS ▽=0 ▽=0	GENERAL TOLERANCES (UNLESS SPECIFIED) <table border="1"> <thead> <tr> <th></th> <th>mm</th> <th>INCH</th> </tr> </thead> <tbody> <tr> <td>4 PLACES</td> <td>± ---</td> <td>± ---</td> </tr> <tr> <td>3 PLACES</td> <td>± ---</td> <td>± ---</td> </tr> <tr> <td>2 PLACES</td> <td>± ---</td> <td>± ---</td> </tr> <tr> <td>1 PLACE</td> <td>± ---</td> <td>± ---</td> </tr> <tr> <td>0 PLACE</td> <td>±</td> <td>±</td> </tr> </tbody> </table>		mm	INCH	4 PLACES	± ---	± ---	3 PLACES	± ---	± ---	2 PLACES	± ---	± ---	1 PLACE	± ---	± ---	0 PLACE	±	±	DIMENSION STYLE <b>MM ONLY</b>	SCALE <b>1:1</b>	DESIGN UNITS <b>INCH</b>	THIRD ANGLE PROJECTION
		mm	INCH																					
	4 PLACES	± ---	± ---																					
	3 PLACES	± ---	± ---																					
2 PLACES	± ---	± ---																						
1 PLACE	± ---	± ---																						
0 PLACE	±	±																						
DRAFT WHERE APPLICABLE MUST REMAIN WITHIN DIMENSIONS		ANGULAR ±1/2°	DRAWN BY EEFUNG 2011/04/20	DATE 2011/04/20	TITLE <b>QSFP QDR 1.2 TO MPO(M) JUMPER, SM 9/125UM</b>																			
MATERIAL NO. <b>SEE TABLE</b>		APPROVED BY BANDREI 2011/04/20		DOCUMENT NO. <b>SD-106414-1201</b>		SHEET NO. <b>1 OF 1</b>																		
THIS DRAWING CONTAINS INFORMATION THAT IS PROPRIETARY TO MOLEX INCORPORATED AND SHOULD NOT BE USED WITHOUT WRITTEN PERMISSION																								