

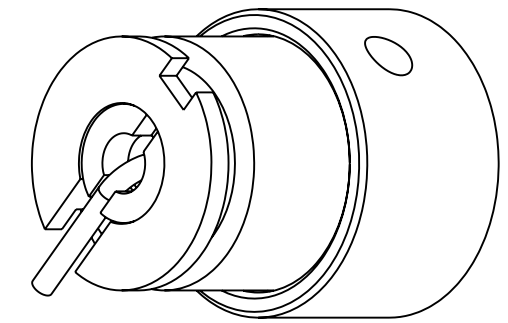
NOTES:

1. MATERIALS AND FINISHES:
 BODY - BRASS, GOLD PLATING
 CONTACT - BERYLLIUM COPPER, GOLD PLATING
 INSULATOR - PEEK
2. ELECTRICAL:
 A. IMPEDANCE: 50 OHM
 B. FREQUENCY RANGE: DC - 12 GHz
 C. VSWR : 1.20 MAX FROM DC TO 6 GHz
 1.30 MAX FROM 6 GHz TO 12 GHz
 INCLUDING BOARD LAUNCH
 D. DIELECTRIC WITHSTANDING VOLTAGE: 500 VRMS, MIN.
3. PHYSICAL:
 A. DURABILTIY: 500 CYCLES MIN.
 B. TEMPERATURE RANGE: -65° C TO +165° C
4. PACKAGING:
 A. TAPE & REEL, 800 PCS PER REEL
 B. MARK TAG "AMPHENOL RF, SMP-MSLD-PCS11T, YYWW"

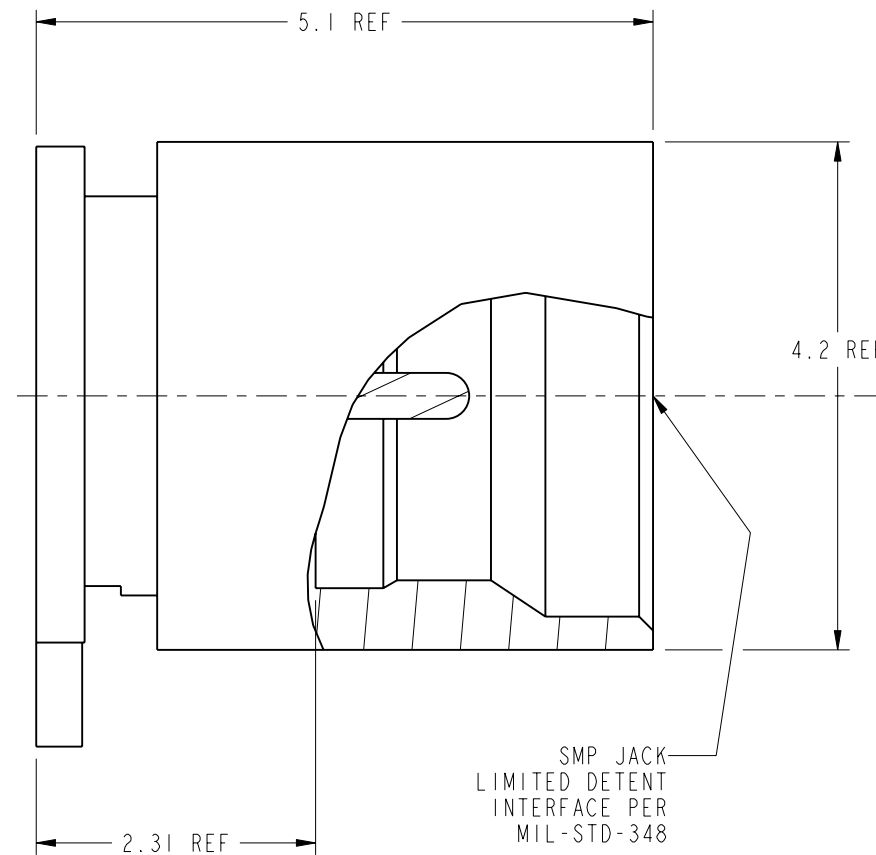
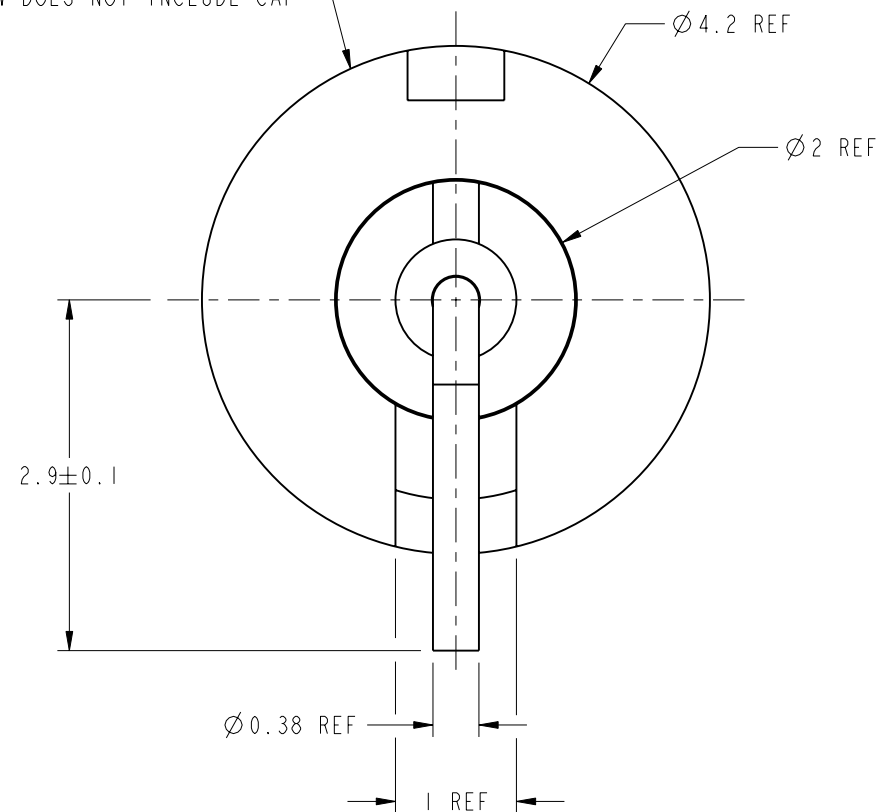
THIRD ANGLE PROJ.

REVISIONS

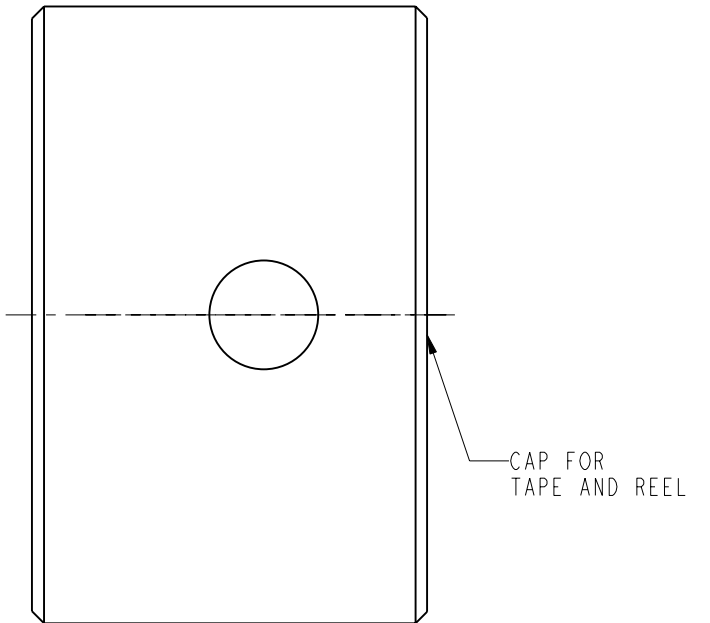
REV	DESCRIPTION	DATE	ECO	APPR
A	RELEASE TO MFG.	4/30/16	00541	MM



THIS VIEW DOES NOT INCLUDE CAP



SMP JACK
 LIMITED DETENT
 INTERFACE PER
 MIL-STD-348



CUSTOMER OUTLINE DRAWING

ALL OTHER SHEETS ARE FOR INTERNAL USE ONLY

UNLESS OTHERWISE SPECIFIED, DIMENSIONS ARE IN METRIC AND TOLERANCES ARE:
 <0.5mm ±0.05mm 0.5 - 6mm ±0.1mm 6 - 30mm ±0.2mm 30 - 120mm ±0.3mm ANGLES ±1°

NOTICE - These drawings, specifications, or other data (1) are, and remain the property of Amphenol corp. (2) must be returned upon request; and (3) are confidential and not to be disclosed to any person other than those to whom they are given by Amphenol Corp. the furnishing of these drawings, specifications, or other data by Amphenol Corp., or to any other person to anyone for any purpose is not to be regarded by implication or otherwise in any manner licensing, granting rights to permitting such holder or any other person to manufacture, use or sell any product, process or design, patented or otherwise, that may in any way be related to or disclosed by said drawings, specifications, or other data.

MATERIAL SEE NOTES	DRAWN R. MAO	DATE 30-Apr-16
REFERENCE 7096 AND	ENGINEER M. MURTHA	DATE 29-Jan-16
CONFIGURATION LEVEL:	APPROVED S. HSIEH	DATE 30-Apr-16
FINISH	CAD FILE	

TITLE SMP STR JACK LIMITED DETENT PCB SURFACE MOUNT	SCALE: 11.0:1.0	SHEET 2 OF 4
DWG SIZE B	REV A	

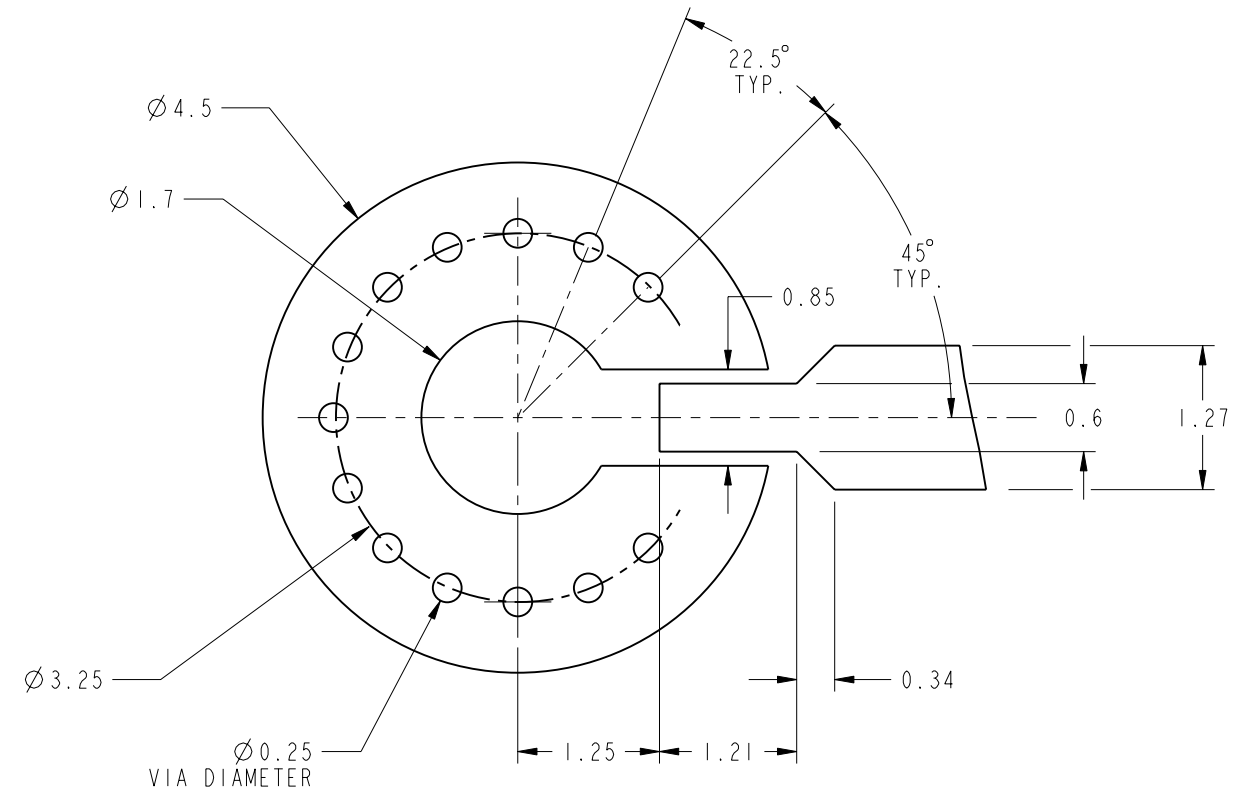
Amphenol RF	www.amphenolrf.com
DRAWING NO. SMP-MSLD-PCS11T	ITEM NO. SMP-MSLD-PCS11T
PART NO. SMP-MSLD-PCS11T	

THIRD ANGLE PROJ.

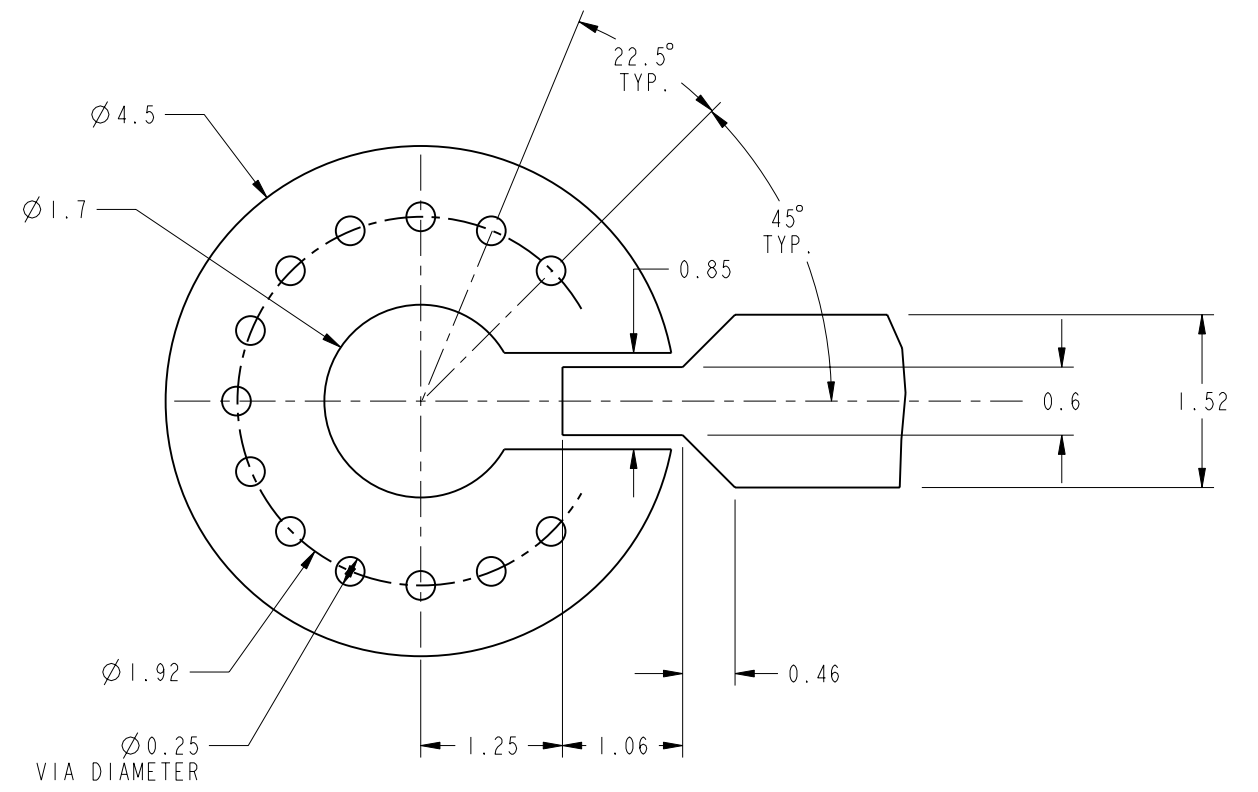
REVISIONS

REV	DESCRIPTION	DATE	ECO	APPR
A	RELEASE TO MFG.	4/30/16	00541	MM

PCB STACKUP DETAIL		
LAYER	THICKNESS	MATERIAL
LAYER 1 (TOP)	.0007" [0.018mm]	COPPER - .050" TRACE
LAYER 2	.0200" [0.508mm]	TACONIC RF-30, Dk = 3.0
LAYER 3	.0007" [0.018mm]	COPPER - GROUND
LAYER 4	.0044" [0.112mm]	Dk = 2.75
LAYER 5	.020" [0.508mm]	TACONIC RF-30, Dk = 3.0
LAYER 6 (BOTTOM)	.0007" [0.018mm]	COPPER - .060" TRACE



RECOMMENDED BOARD LAUNCH
TOP LAYER



RECOMMENDED BOARD LAUNCH
BOTTOM LAYER

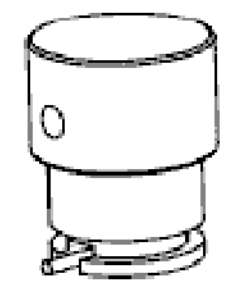
CUSTOMER OUTLINE DRAWING
ALL OTHER SHEETS ARE FOR INTERNAL USE ONLY

<p>UNLESS OTHERWISE SPECIFIED, DIMENSIONS ARE IN METRIC AND TOLERANCES ARE: <0.5mm ±0.05mm 0.5 - 6mm ±0.1mm 6 - 30mm ±0.2mm 30 - 120mm ±0.3mm ANGLES ±1°</p> <p>NOTICE - These drawings, specifications, or other data (1) are, and remain the property of Amphenol corp. (2) must be returned upon request; and (3) are confidential and not to be disclosed to any person other than those to whom they are given by Amphenol Corp. the furnishing of these drawings, specifications, or other data by Amphenol Corp., or to any other person to anyone for any purpose is not to be regarded by implication or otherwise in any manner licensing, granting rights to permitting such holder or any other person to manufacture, use or sell any product, process or design, patented or otherwise, that may in any way be related to or disclosed by said drawings, specifications, or other data.</p>	MATERIAL	DRAWN R. MAO	DATE 30-Apr-16	<p>TITLE SMP STR JACK LIMITED DETENT PCB SURFACE MOUNT</p> <p>SCALE: 11.0:1.0 SHEET 3 OF 4</p>	<p>Amphenol RF www.amphenolrf.com</p>
	REFERENCE 7096 AND	ENGINEER M. MURTHA	DATE 29-Feb-16		
CONFIGURATION LEVEL: In Work	APPROVED S. HSIEH	DATE 30-Apr-16	CAD FILE	ITEM NO. SMP-MSLD-PCS11T	PART NO. SMP-MSLD-PCS11T
FINISH			DWG SIZE B	REV A	

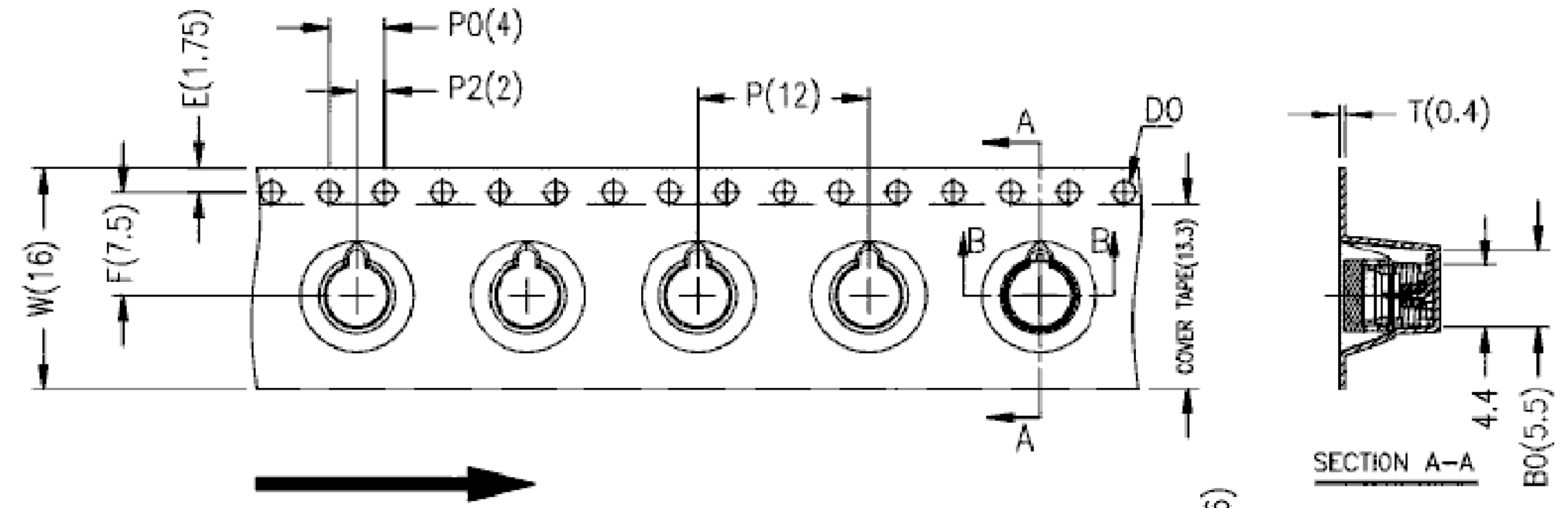
THIRD ANGLE PROJ.

REVISIONS

REV	DESCRIPTION	DATE	ECO	APPR
A	RELEASE TO MFG.	4/30/16	00541	MM



SMP-MSLD-PCS11T



用户取件方向
USER DIRECTION OF FEEDING

NOTES:

1. 10 sprocket holes pitch cumulative tolerance ± 0.20 mm.
2. Carrier camber not to exceed 1 mm in 250 mm.
3. A0 and B0 measured on a plane 0.3 mm above the bottom of the pocket.
4. K0 measured from a plane on the inside bottom of the pocket to the top surface of the carrier.
5. All dimensions meet EIA-481-D requirements.
6. Material: Black PS (RoHS Compliant)
7. Thickness: 0.40 ± 0.05 mm.
8. Packing length per 13" reel: 10.5 Meters.
9. Component loader per 13" reel: 800 pcs.

注:未注公差為: ± 0.10
NOTE: ALL TOLERANCES ARE: ± 0.10 , EXCEPT WHERE NOTED

ITEM	W	A ₀	B ₀	K ₀	K ₁	P	F	E	D ₀	D ₁	P ₀	P ₂	T
DIM	16 ± 0.3	4.4 ± 0.1	5.5 ± 0.1	6.66 ± 0.1	/	12 ± 0.1	7.5 ± 0.1	1.75 ± 0.1	1.5 ± 0.05	/	4.0 ± 0.1	2.0 ± 0.1	0.40 ± 0.05

UNLESS OTHERWISE SPECIFIED, DIMENSIONS ARE IN METRIC AND TOLERANCES ARE:
 <0.5mm ± 0.05 mm 0.5 - 6mm ± 0.1 mm 6 - 30mm ± 0.2 mm 30 - 120mm ± 0.3 mm ANGLES $\pm 1^\circ$
 NOTICE - These drawings, specifications, or other data (1) are, and remain the property of Amphenol corp. (2) must be returned upon request; and (3) are confidential and not to be disclosed to any person other than those to whom they are given by Amphenol Corp. the furnishing of these drawings, specifications, or other data by Amphenol Corp., or to any other person to anyone for any purpose is not to be regarded by implication or otherwise in any manner licensing, granting rights to permitting such holder or any other person to manufacture, use or sell any product, process or design, patented or otherwise, that may in any way be related to or disclosed by said drawings, specifications, or other data.

MATERIAL
BLCOK PS
 REFERENCE
7096 AND
 CONFIGURATION LEVEL: In Work
 FINISH

DRAWN
STRONG.FENG
 ENGINEER
M. MURTHA
 APPROVED
S.HSIEH
 CAD FILE

DATE
30-Apr-16
 DATE
29-Feb-16
 DATE
30-Apr-16
 DWG SIZE
B
 REV
A

TITLE
SMP STR JACK
LIMITED DETENT PCB
SURFACE MOUNT
 SCALE: 5.0:1.0 SHEET 4 OF 4
 Amphenol RF
 www.amphenolrf.com
 DRAWING NO. SMP-MSLD-PCS11T
 ITEM NO. SMP-MSLD-PCS11T
 PART NO. SMP-MSLD-PCS11T