

ALCOSWITCH ANTI-VANDAL SWITCH SERIES

TE Connectivity's (TE) new ALCOSWITCH Anti-Vandal switch series is designed for security and reliability in a variety of panel mount industrial and building applications. The large pushbutton and available LED indicators illuminate the switch and allow for an easy user interface. The Anti-Vandal series is available in panel sizes of 16, 19, 22 and 25 mm, and with various pushbutton symbols including Spot, Ring, and Power Logo. Switches are sealed to IP67 and available in single and double pole configurations.



FEATURES

- Allow for an easy user interface with a large pushbutton and available LED indicators illuminate the switch
- Enable flexibility with various pushbutton symbols including Spot, Ring, and Power logo
- Achieve a vandal proof solution with a jam nut accessible for rear of the panel
- Ease of installation with available flying lead terminations.

APPLICATIONS

- Industrial equipment
- Elevators/Escalators
- Instrumentation
- Communication equipment
- Control equipment
- Medical equipment
- Parking Systems
- Emergency Communication

ELECTRICAL

- RoHS Directive 2002/95/E compliant
- REACH Compliant and Pb Free
- UL (E46765) for AV19, AV22 series

ALCOSWITCH ANTI-VANDAL SWITCH SERIES

TYPICAL PERFORMANCE CHARACTERISTICS

Number of poles:	1 to 2
Switch Functions:	OFF-ON, OFF-(ON)
Contact Rating:	2A @ 36VDC (16mm) 3A @ 250VAC/28VDC (19, 22, 25mm)
Gold Contact:	0.4 VA @ 20V max
Electrical life (pushbutton only):	16mm: 200,000 cycles 19/22/25mm: 50,000 cycles
Contact resistance:	50mOhms max. @ 1A, 12VDC (initial value)
Insulation resistance:	1,000 MOhms min. @500VDC
Dielectric strength:	2,000V for 1 minute
Actuator force:	16mm: 4.5 +/- 1.5 N 19/22/25mm, Single Pole: 2.5 +/- 1.0 N 19/22/25mm, Double Pole: 3.5 +/- 1.0 N
Actuator travel:	16mm: 2.0 mm 19/22/25mm: 3.2 mm
Life Expectancy:	Momentary: 1,000,000 actuations Push On/Off: 500,000 actuation

MECHANICAL

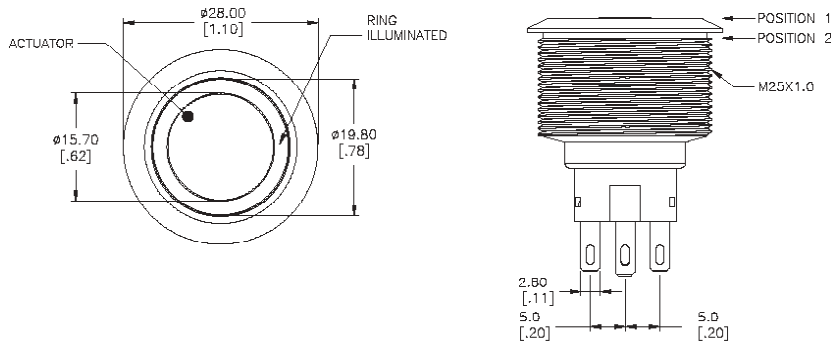
Operating temperature	-20 - +55° C
-----------------------	--------------

MATERIALS

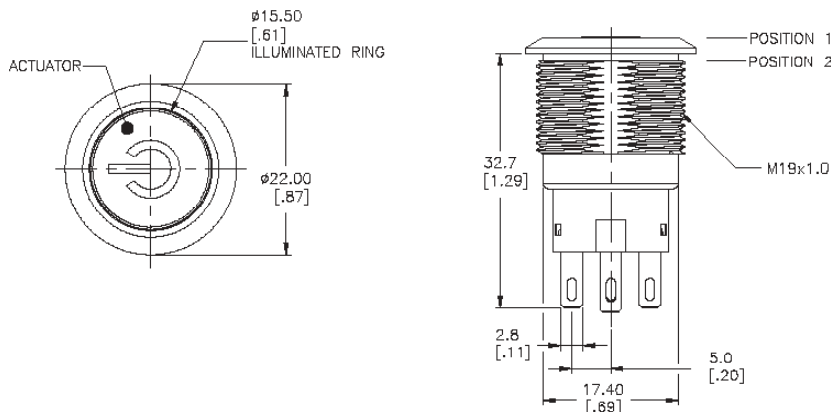
Contacts:	Copper with silver or gold plating
Actuator:	Stainless Steel
Terminals:	Copper, silver plated
Terminal seal:	Silicon
Case:	PBT
Bushing:	Stainless steel

DIMENSIONS

Part Number 2316365-1

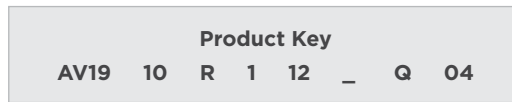


Part Number 2316366-1



ALCOSWITCH ANTI-VANDAL SWITCH SERIES

PRODUCT CODE STRUCTURE



Series

AV16	Anti-Vandal Series, 16mm size
AV19	Anti-Vandal Series, 19mm size
AV22	Anti-Vandal Series, 22mm size
AV25	Anti-Vandal Series, 25mm size

Body Style

10	Single Pole - Momentary
11	Single Pole - ON/OFF
20	Double Pole - Momentary
21	Double Pole - ON/OFF

LED Type

0	No LED
R	Fixed Ring
D	Spot
P	Power Logo
E	Moving Ring
E1	Moving Ring w/Power Logo

Environmental

04	RoHs Compliant
-----------	----------------

Plating

Q	Silver
R	Gold

Terminal Style

	Solder Terminal
T5	Flying Leads (500mm)

LED Voltage

0	No LED
12	12 Volts
24	24 Volts

LED Color

0	No LED
1	White
3	Red
5	Yellow
6	Green
7	Blue
A	Red & Green
B	Red & Blue
C	Red & Yellow

PRODUCT SELECTION EXAMPLES

Product key	Series	Body Style	LED color	LED voltage	Terminal Plating	Part number
AV1610R112R04	16 mm	Single Pole - Momentary	White	12 Volts	Gold	2213774-1
AV1910D512Q04	19 mm	Single Pole - Momentary	Yellow	12 Volts	Silver	2213765-9
AV1910RAZ4Q04	19 mm	Single Pole - Momentary	Red / Green	24 Volts	Silver	2317404-2
AV1910EG24T5Q04	19 mm	Single Pole - Momentary	Red / Yellow	24 Volts	Silver	3-2316531-5
AV2210E324R04	22 mm	Single Pole - Momentary	Red	24 Volts	Gold	2213772-8
AV2211EB12Q04	22 mm	Single Pole - Locking	Red / Blue	12 Volts	Silver	2317570-9
AV2220EB12T5Q04	22 mm	Double Pole - Momentary	Red / Blue	12 Volts	Silver	4-2317570-4
AV2510E312Q04	25 mm	Single Pole - Momentary	Red	12 Volts	Silver	2317656-3
AV2521M124Q04	25 mm	Double Pole - Locking	White	24 Volts	Silver	2-2317658-6
AV2511MB12T5Q04	25 mm	Single Pole - Locking	Red / Blue	12 Volts	Silver	2317659-7

te.com

©2023 TE Connectivity Ltd. Family of Companies. All Rights Reserved.

ALCOSWITCH, TE Connectivity, TE connectivity (logo) and Every Connection Counts are trademarks. All other logos, products and/or company names referred to herein might be trademarks of their respective owners.

The information given herein, including drawings, illustrations and schematics which are intended for illustration purposes only, is believed to be reliable. However, TE Connectivity makes no warranties as to its accuracy or completeness and disclaims any liability in connection with its use. TE Connectivity's obligations shall only be as set forth in TE Connectivity's Standard Terms and Conditions of Sale for this product and in no case will TE Connectivity be liable for any incidental, indirect or consequential damages arising out of the sale, resale, use or misuse of the product. Users of TE Connectivity products should make their own evaluation to determine the suitability of each such product for the specific application.

USA: +1 (800) 522-6752

Canada: +1 (905) 475-6222

Mexico: +52 (0) 55-1106-0800

Latin/S. America: +54 (0) 11-4733-2200

Germany: +49 (0) 6251-133-1999

UK: +44 (0) 800-267666

France: +33 (0) 1-3420-8686

The Netherlands: +31 (0) 73-6246-999

China: +86 (0) 400-820-6015

04/23 ED