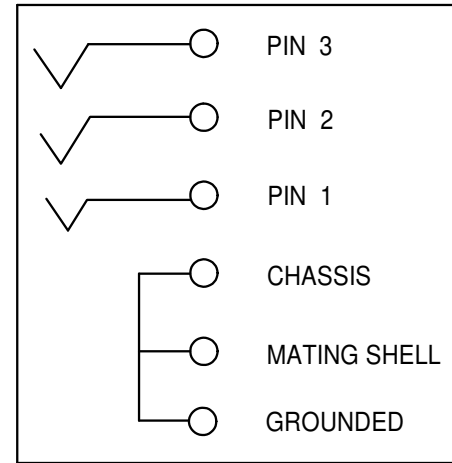
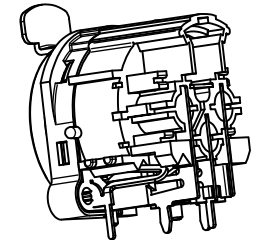


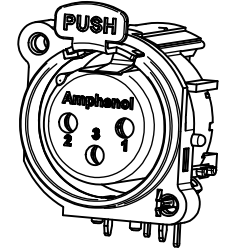
PANEL CUT OUT  
REAR VIEW



SCHEMATIC CHART



3D VIEW (1:1)



PCB LAYOUT  
LAYOUT TOLERANCE : ± 0.05 [ .002 in ]  
NOTE: DIMENSIONS IN PARENTHESES ARE IN INCHES

NOTE: SUFFIX "B" IN THE PART No. INDICATES BULK PACK.

UNLESS OTHERWISE SPECIFIED TOLERANCE TO BE:		THIS DOCUMENT IS THE PROPERTY OF AMPHENOL AUSTRALIA PTY. LTD. NO PART THEREOF MAY BE REPRODUCED AND USED WITHOUT THE PRIOR WRITTEN CONSENT OF THE OWNER			
LINEAR	ANGULAR	CAD FILE	DRN:	T.N	DATE: 17/04/07
X ±	X° ± 1	55010415000221	CKD:	P.M	DATE: 07/04/09
X.X ±	X.X° ± 30°	MATL: REFER TO COMPONENTS	APPD:	P.M	DATE: 07/04/09
X.XX ±	X.XX° ± 15°	DO NOT SCALE	FINISH: REFER TO COMPONENTS		
DIMENSIONS IN MILLIMETRES		THIRD ANGLE PROJECTION	SCALE:	3:2	PART No: AC3FBH2-AU-B

REV	DESCRIPTION	DATE	BY	CHG NO
2	ADD SUFFIX B TO PART No	27/08/15	T.N	9318
1	CHANGE NEW PUSH LEVER & LATCH SPRING	18/12/08	A.O	8793
0	FIRST ISSUE	18/04/07	T.N	8686

TITLE:		<b>Amphenol</b>	
XLR FEMALE B TYPE CONNECTOR CUSTOMER DWG		Amphenol Australia Pty.Ltd. 2 Fiveways Blvd. Keysborough, Vic3173	
SIZE: A4	DRAWING NO. 55010415-000-2	SHEET 2/2	