

LOC	DIST	REVISIONS					
A	00	P	LTR	DESCRIPTION	DATE	DWN	APVD
			D1	ECR-14-008618	6-2014	MY	GB


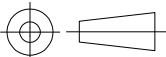
SEE CUSTOMER ACCESSIBLE
 PRODUCTION DRAWING
 680010

RELEASED FOR PUBLICATION

ALL RIGHTS RESERVED.

THIS DRAWING IS UNPUBLISHED.

© COPYRIGHT - By -

DIMENSIONS: INCHES	DWN	05MAR2012	MATERIAL	-	FINISH	-	
	CHK	-	 TE Connectivity				
TOLERANCES UNLESS OTHERWISE SPECIFIED:	APVD	-					
0 PLC ± -	PRODUCT SPEC	-	NAME				
1 PLC ± -	APPLICATION SPEC	-	END FEED HDM APPLICATOR				
2 PLC ± -	WEIGHT	-	SIZE	CAGE CODE	DRAWING NO	RESTRICTED TO	
3 PLC ± -			A4	00779	C-680010	-	
4 PLC ± -			CUSTOMER DRAWING			SCALE	1:1
ANGLES ± -					SHEET	1 OF 1	
					REV	D1	