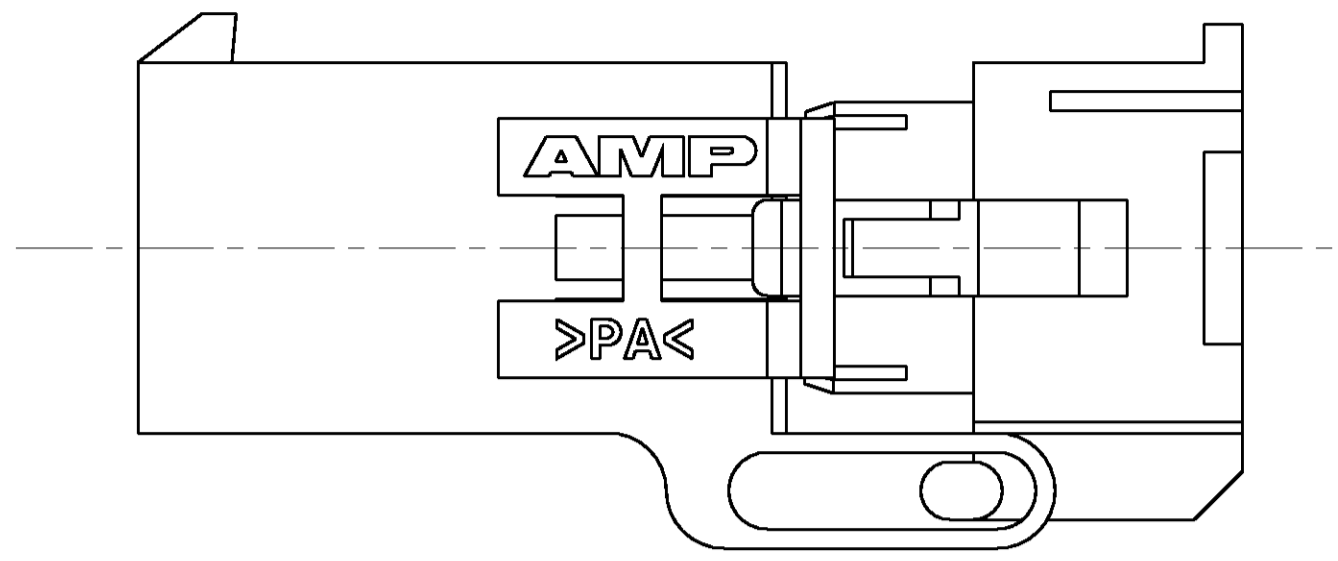
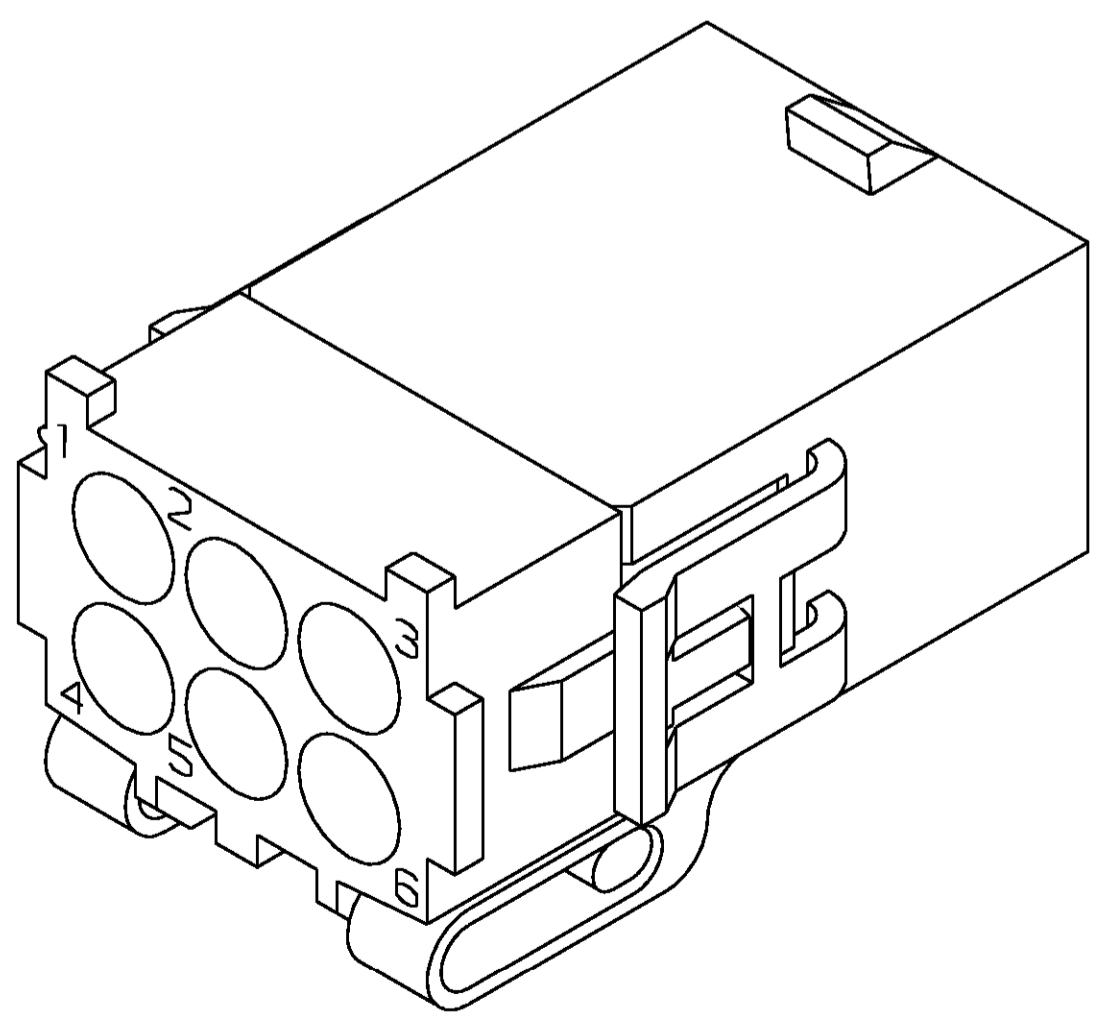
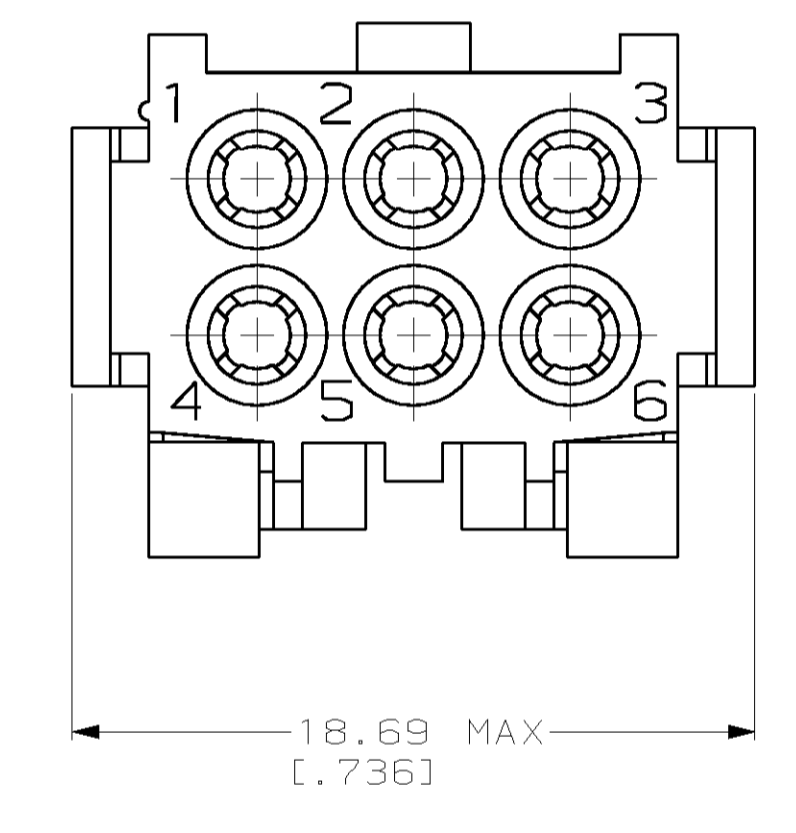
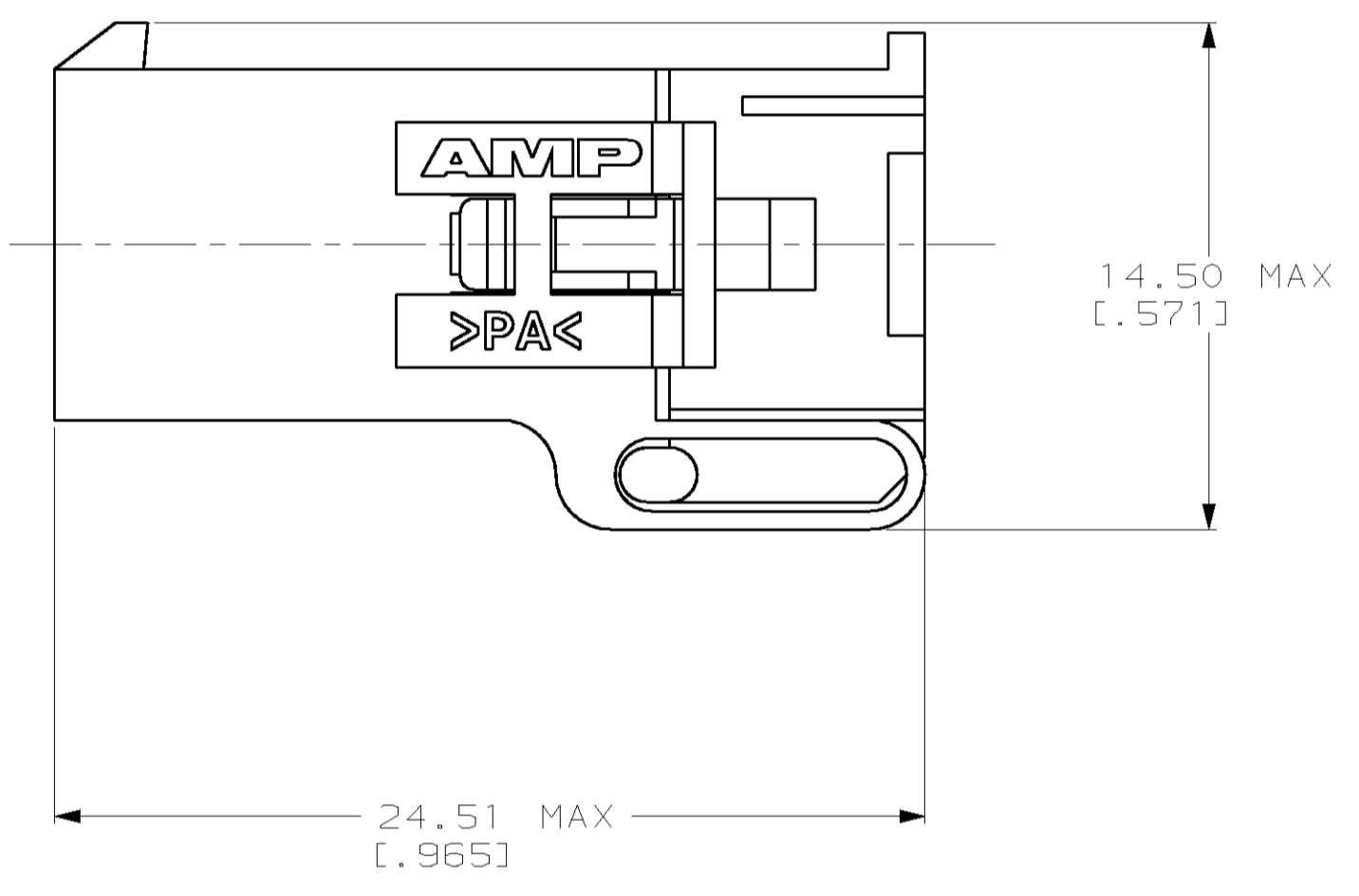
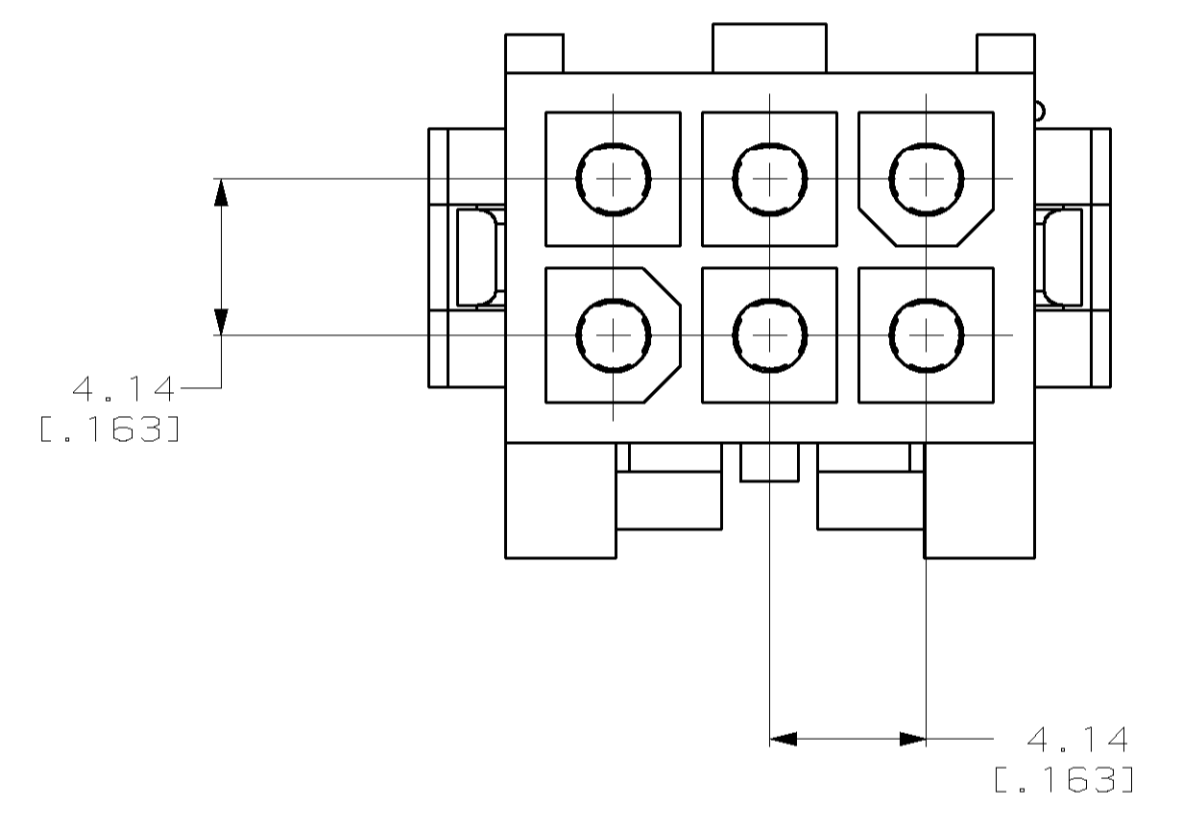


LOC		DIST		REVISIONS			
F	CHR	DATE	BY	CHK	APVD		
B		REV PER EC 061B-0094-99	23-SEP-99	KW	KC		



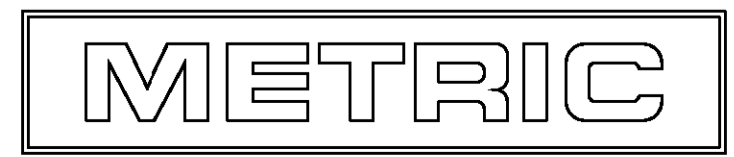
PRE-STAGED CONDITION

1. DIMENSIONS IN BRACKETS ARE IN INCHES.



3-DIMENSIONAL MODEL
NTS

794244-1
PART NUMBER



THIS DRAWING IS A CONTROLLED DOCUMENT.		DWN K. WHITAKER	5-12-97	AMP AMP Incorporated Harrisburg, PA 17105-3608
DIMENSIONS:		CHK R. SWING	5-12-97	
TOLERANCES UNLESS OTHERWISE SPECIFIED:		APVD R. ORSTAD	5-12-97	NAME CAP
0 PLC	±	PRODUCT SPEC		6 CIRCUIT, MINI UNIVERSAL
1 PLC	±	APPLICATION SPEC		MATE-N-LOK™ 2
2 PLC	±	SIZE	A1	RESTRICTED TO
3 PLC	±0.13 (.005)	CAGE CODE	00779	
4 PLC	±	DRAWING NO	C-794244	
ANGLES	±	WEIGHT		
MATERIAL	NYLON, UL 94V-2, NATURAL	FINISH		
CUSTOMER DRAWING		SCALE	5:1	SHEET 1 OF 1