



# RJ45 ADAPTERS AND CAT5 SYSTEM CABLES

NX SYSTEM ACCESSORIES

## FEATURES

- Supports NX Distributed Intelligence™ Lighting Controls
- Plenum rated
- Low voltage device: 24 VDC
- Five-year limited warranty



## CONTROL TECHNOLOGY



## RELATED PRODUCTS

- ⌘ [NX Occupancy/Vacancy Sensors](#)
- ⌘ [NX Daylight Sensor](#)
- ⌘ [NX Network Bridge Module](#)
- ⌘ [NX Room Controller](#)

## SPECIFICATIONS

### CONSTRUCTION

- Sabic Noryl HS2000X
- Gray
- White (NXRJSPLITTER)
- 0.8 oz (22.7 g)
- RJ45ADAPTER Dimensions: 2.17" L (55.12mm) x 1.10" W (27.94mm) x 1.0" H (25.40mm)
- NXRJSPLITTER Dimensions: 1.32" L (33.53mm) x 1.49" W (37.85mm) x 0.83" H (21.09mm)

### MOUNTING

- RJ45ADAPTER may be mounted using a zip-tie (not included) or with a #8 or #10 mounting screw (not included)

### MOUNTING (CONTINUED)

- NXRJSPLITTER is to be installed in an Electrical Junction Box (not included)

### ELECTRICAL

- Max cable length supported: 300 ft from device to control module
- Class 2 device
- 4 Terminal connectors
  - Red: +24V
  - Blue: Occupancy Sensor Input
  - Yellow: Photocell/Daylight Sensor Input
  - Black: Common

### CERTIFICATIONS

- cULus listed
- RJ45ADAPTER is UL2043 compliant (Plenum rated)
- NXRJSPLITTER is not Plenum rated
- This product qualifies as "designated country construction material" per FAR 52.225-11 Buy American-Construction Materials under Trade Agreements effective 5/27/2020. See [Buy American Solutions](#).

### WARRANTY

- 5 year limited
- See [HCS Standard Warranty](#) for additional information

## ORDERING GUIDE

Example: RJ45ADAPTER-T

CATALOG #

RJ45ADAPTER		TAA	
Model		Blank	
RJ45ADAPTER	RJ45 Adapter for NX Occupancy and Daylight Sensors	T	Standard Product TAA

# RJ45 ADAPTERS AND CAT5 SYSTEM CABLES

NX SYSTEM ACCESSORIES

## ORDERING GUIDES

Example: NXRJSPLITTER

CATALOG #

### NXRJSPLITTER

#### Model

**NXRJ45SPLITTER'** NX RJ45 Splitter 2-way female for Cat5, used with NX Occupancy Sensors and NX Daylight Sensors



NXRJ45SPLITTER

Notes:

- 1 Not Plenum rated - To be installed in a sealed junction box

Example: CAT5-3IN-OR-PLENUM

CATALOG #

#### Model/Description

<b>CAT5-3IN-OR-PLENUM</b>	Pre-terminated Cat5 Cable, Plenum Rated, 3in, Orange
<b>CAT5-3F-OR-PLENUM</b>	Pre-terminated Cat5 Cable, Plenum Rated, 3ft, Orange
<b>CAT5-10F-OR-PLENUM</b>	Pre-terminated Cat5 Cable, Plenum Rated, 10ft, Orange
<b>CAT5-25F-OR-PLENUM</b>	Pre-terminated Cat5 Cable, Plenum Rated, 25ft, Orange
<b>CAT5-50F-OR-PLENUM</b>	Pre-terminated Cat5 Cable, Plenum Rated, 50ft, Orange
<b>CAT5-100F-OR-PLENUM</b>	Pre-terminated Cat5 Cable, Plenum Rated, 100ft, Orange

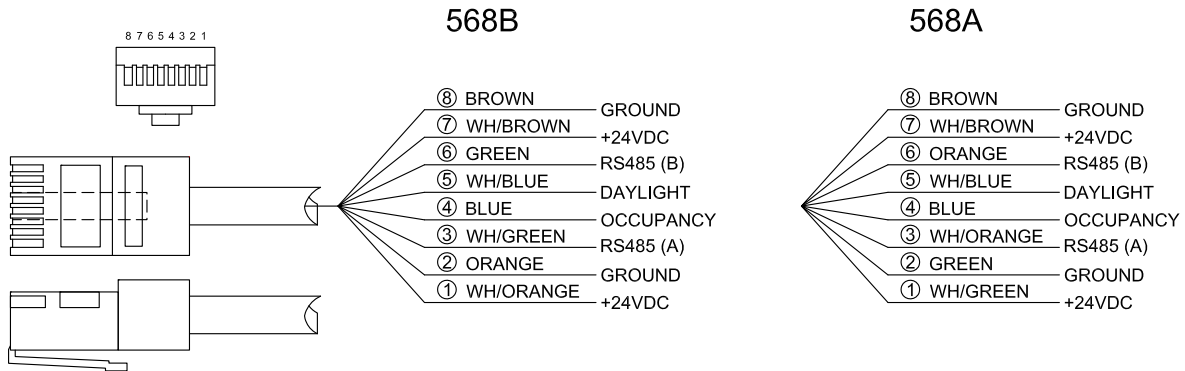


CAT5-XX-OR-PLENUM

### CaT5 Cable Pinout

When cutting Cat5 cable to specific lengths, the cable pin out is as follows:

Pin No.	Wire Color
1	White with Orange stripe
2	Orange
3	White with Green stripe
4	Blue
5	White with Blue stripe
6	Green
7	White with Brown stripe
8	Brown

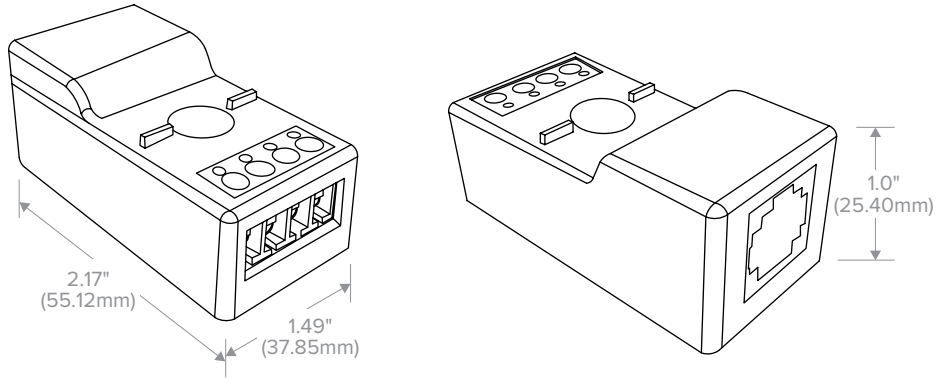


**Note:** The NX SmartPORT™ Connector pin numbering scheme matches that of the standard RJ45 connector system. However, the pin assignment is different. There are two standard Cat5 color codes, 568A and 568B. HCS recommends using 568B but there may be cases in the field where the cable is 568A. It is important to match the colors and wire pairings on both sides of the cable.

# RJ45 ADAPTERS AND CAT5 SYSTEM CABLES

NX SYSTEM ACCESSORIES

## DIMENSIONS



## ADDITIONAL INFORMATION

### Wiring Diagrams

