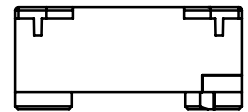
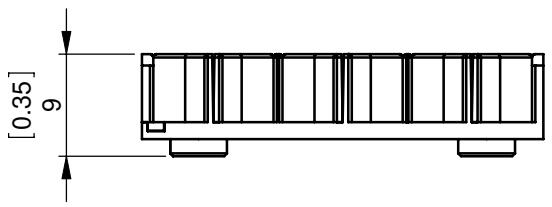
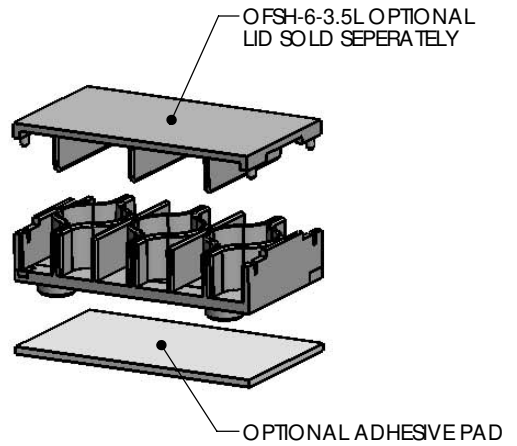
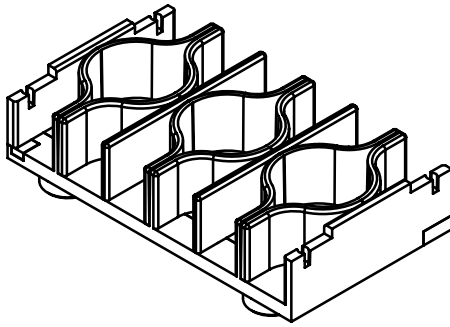
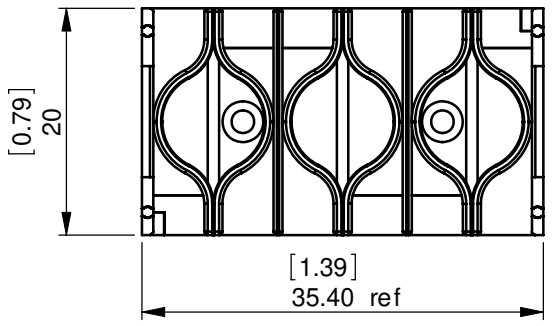
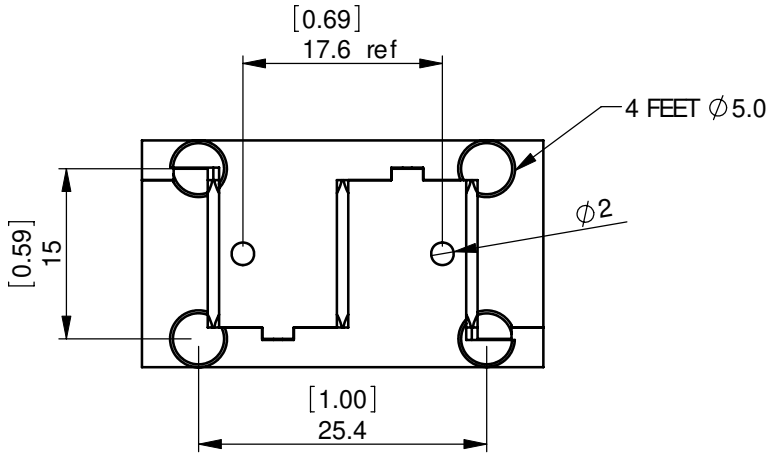


REV.	MODIFICATION.	DATE	DRN
01	CO2010621	11/06/09	SF



MINIFLEX TECHNOLOGY MANUFACTURED BY RICHCO	
MATL MIX: POLYPROPYLENE, RMS-150; TPE, RMS-182; COLOUR: NATURAL ADHESIVE TAPE, RMS-400	
PART NUMBER	ADHESIVE
OFSH-6-3.5	WITHOUT ADHESIVE
OFSH-6-3.5A	WITH ADHESIVE
OFSH-6-3.5L	LID, WITHOUT ADHESIVE

ALTERNATE UNITS FOR REFERENCE ONLY



INFORMATION CONTAINED IN THIS DOCUMENT IS CONFIDENTIAL TO RICHCO INTERNATIONAL Co. Ltd. AND MAY NOT BE DISCLOSED OR REPRODUCED IN WHOLE OR PART WITHOUT THEIR WRITTEN CONSENT.

ALL DIMENSIONS IN mm
 GENERAL TOLERANCES ±0.25
 UNLESS OTHERWISE STATED
 1 DECIMAL PLACE ±
 2 DECIMAL PLACES ±
 ANGULAR ±1°

THIRD ANGLE

MATERIAL: SEE TABLE	COLOUR: NATURAL
---------------------	-----------------

DESCRIPTION: OPTICAL FIBER SPLICE HOLDER	PART No: SEE TABLE
--	--------------------

DRG No: 09-024	NPR No:	SHEET SIZE A4
----------------	---------	---------------

DRN	DATE	CHKD	DATE	SCALE	SHEET No.
MT	14/04/09	SF	11/06/09	NTS	1 OF 1