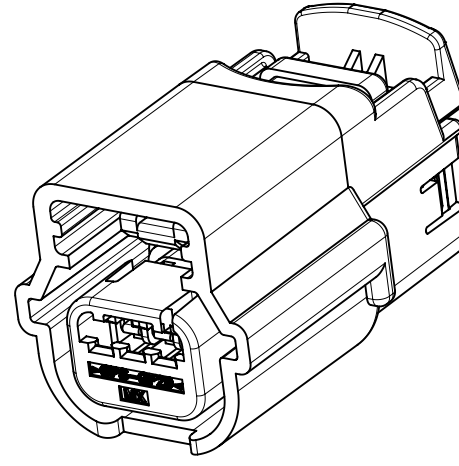
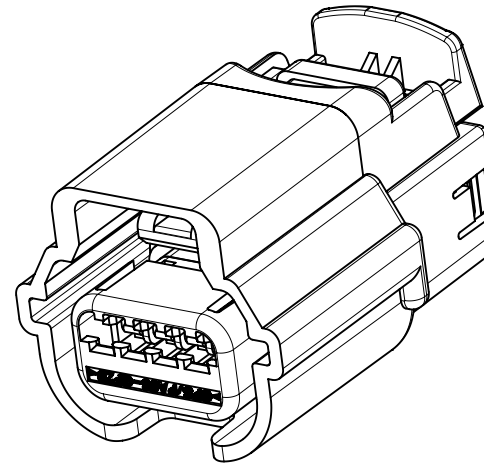


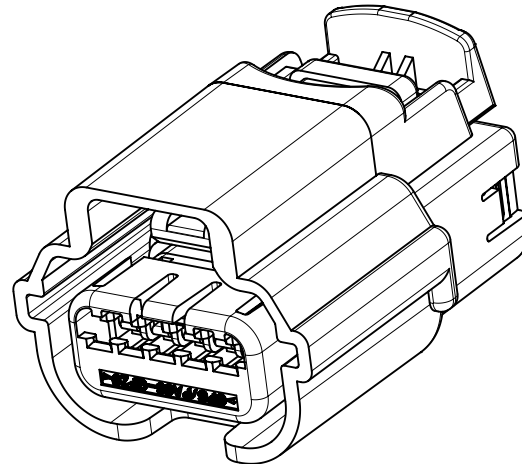
1X2



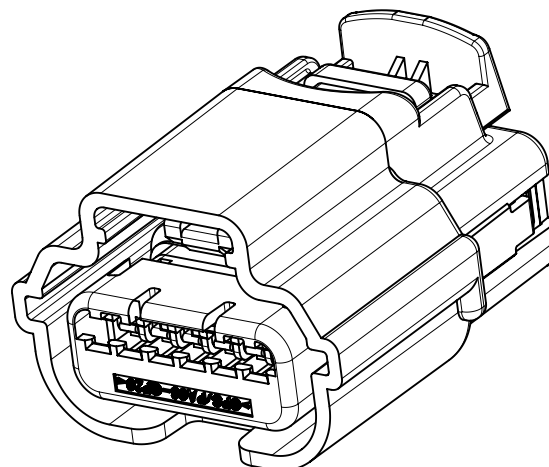
1X3



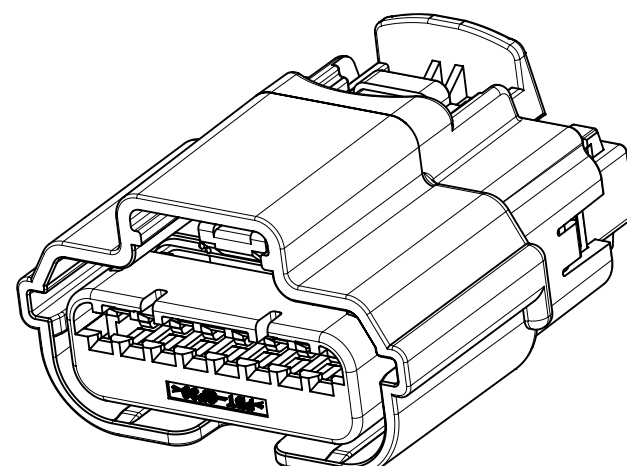
1X4



1X5



1X6



1X8

TABLE OF CONTENTS	
SHEET NO.	SHEET DESCRIPTION
1	NOTES AND BOM
2	CONNECTOR ASSEMBLY WITHOUT CLIPSLOT
3	CONNECTOR ASSEMBLY WITH CLIPSLOT
4-5	KEY CONFIGURATIONS
6-9	BOM

NOTES: VALID UNLESS OTHERWISE SPECIFIED

1. GENERAL:
 - a. APPLICATION SPECIFICATION SEE: AS-31402-000
 - CONTAINS: SEE AS CONTENT
 - DESIGNED TO MATE WITH DEVICE OR CONNECTOR AS SPECIFIED IN THE MATING INTERFACE DRAWINGS CHART.
 - *DENOTES DRAWINGS THAT CAN BE ACCESSED AT <http://ewcap.uscarteams.org/>.
 - ASSEMBLY SHIPPED WITH PLR IN PRE-LOCK POSITION (SEE PLR PRE-LOCK VIEW ON SHEET 2 SECTION A-A).
 - b. PRODUCT RELATED DRAWING REFER TO DRAWING INFORMATION CHART
 - c. TPA'S MAY BECOME SEATED DURING TRANSIT. IF THIS OCCURS, TPA'S SHOULD BE MOVED TO THE PRE-LOCKED POSITION PRIOR TO FEMALE TERMINAL INSTALLATION. REFERENCE PRODUCT SPECIFICATION: PS-34646-001
 - d. PARTS MUST BE IN COMPLIANCE TO MOLEX CHEMICAL SUBSTANCES FOR PRODUCTS AND PACKAGING SPECIFICATION: QEHS-699000-301
 - e. DATA MUST BE SUBMITTED UNDER THE MOLEX PART NUMBER TO IMDS (COMPANY ID#13255)
 - f. SYSTEM EXCEPT SERIES 31404 1X8 CIRCUIT TO BE USED WITH OUTSIDE WIRE DIAMETERS RANGING FROM 1.20MM TO 2.06MM WITHIN RANGE OF:
 - SAE 22 AWG TO 18 AWG PER ESB-M1L123-A2
 - ISO 0.35MM² TO 0.75MM² PER GMW15626 AND ES-AU5T-1A348-AA
 - g. POLARIZATION FEATURE EFFECTIVENESS PER USCAR-2 PARAGRAPH 5.4.4 IS REDUCED WHEN TESTING ALL POLARIZATION OPTIONS: 100N MIN.
 - h. SEE SHEET #3 FOR CONNECTOR ASSEMBLY WITH CLIPSLOP
 - i. FOR CLIPSSLOT CONNECTOR: CLIP OVERHANGS CONNECTOR, PLEASE CHECK APPLICATION (COULD CAUSE WIRE CHAFING)-SHORTER CLIP IS A RECOMMENDATION.
2. DESIGN - GEOMETRY:
 - a. THE 3-D CAD DATA IS BASIC (WITHOUT TOLERANCE) AND MASTER FOR THIS PART WITH THE EXCEPTION OF UNDERLINED DIMENSIONS. DIMENSIONAL INFORMATION NOT SHOWN ON THIS DRAWING IS DEFINED BY THE DATA FILE AT ITS LATEST REVISION.
 - b. GEOMETRIC DIMENSIONS AND TOLERANCES PER ASME Y14.5M-2009
 - c. EDGES AND UNDIMENSIONED DETAILS PER ISO13715
 - d. CORNERS SHOWN AS SHARP TO BE R 0.2 MAX.
 - e. LETTERING SHALL BE 0.15 MAX RAISED IN 0.25 MAX RECESS PAD. THIS INCLUDES RECYCLING CODE, CAVITY ID, VENDOR IDENTIFICATION, AND CUSTOMER MATERIAL NUMBER.
 - f. VISUAL DEFECTS SHALL MEET COSMETIC STANDARD PS-45499-002 (Class B).
 - g. DATE CODE: FIRST TWO DIGITS ARE THE CALENDAR YEAR (EXAMPLE: 04 = 2004). THIRD THROUGH 5TH DIGIT DAY # OF THE CALENDAR YEAR (EXAMPLE: FEB. 3RD = '034').

DRAWING INFORMATION	
DESCRIPTION	DRAWING NO.
PRODUCT SPECIFICATION	PS-31402-000
	FOR 31404 1X8 REFER TO PS-31404-001-1X8
PACKAGING	PK-31300-256
SALES DRAWING	SD-31402-211
	FOR 31404 1X8 REFER TO SD-31404-811
TEST SUMMARY	FOR 1X2 REFER TO TS-31402-001-1X2
	FOR 1X3 REFER TO TS-31402-001-1X3
	FOR 1X6 REFER TO TS-31402-001-1X6
	FOR 31404 1X8 REFER TO TS-31404-001-1X8

MATING INTERFACE DRAWING	
DESCRIPTION	INTERFACE DEFINITION
1X2	*064-S-002-1-Z02
1X3	*064-S-003-1-Z01
1X4	*064-S-004-1-Z02
1X5	*064-S-005-1-Z02
1X6	*064-S-006-1-Z02
1X8	*064-S-008-1-Z02

PART NUMBER LEGEND
CONNECTOR ASSEMBLY

- 3140X-XXXX
- SEAL PLUG CONFIGURATION (AS MOLDED)
 - 0 - ALL CIRCUITS OPEN
 - 1-9 SEE CHART
 - CPA OPTION
 - 0 OR 2 - WITHOUT CPA
 - 1 OR 3 - WITH CPA
 - 4 - WITHOUT CPA, WITH CLIPSLOT
 - 5 - WITH CPA, WITH CLIPSLOT
 - USCAR POLARIZATION OPTION
 - 1 - POLARIZATION OPTION A
 - 2 - POLARIZATION OPTION B
 - 3 - POLARIZATION OPTION C
 - 4 - POLARIZATION OPTION D
 - 5 - POLARIZATION OPTION B, BLACK
 - 6 - POLARIZATION OPTION C, BLACK
 - 7 - POLARIZATION OPTION D, BLACK
 - 8 - POLARIZATION OPTION C, NATURAL
 - 9 - POLARIZATION OPTION D, GRAY
 - 0 - POLARIZATION OPTION D, DARK GRAY
 - CIRCUIT SIZE 2, 3, 4, 5, 6 & 8
 - 6 - CIRCUIT SIZE 6, WITH 31412-6500 OR 31412-6501 RING SEAL (FOR 31402 AND 31403 SERIES) WITH 31412-6500 RING SEAL (FOR 31404 SERIES)
 - 7 - CIRCUIT SIZE 6, WITH 31412-6501 RING SEAL (FOR 31404 SERIES)
 - TERMINAL OPTION
 - 2 - TYCOM/MOLEX GET 0.64
 - 3 - MOLEX 0.64
 - 4 - YAZAKI KAIZEN 0.64/TE GEN Y 0.64/JUST AIT 0.64

T6	ADD P/N: 31404-7124, 31404-7134, 31404-7205, 31404-7215, 31404-7803, 31404-7813
T5	ADD P/N: 31404-7123, 31404-7133, 31404-7902, 31404-7912
T4	ADD P/N: 31402-2120, 31402-2130, 31402-3104, 31402-3114, 31402-6201, 31402-6211, 31402-6301, 31402-6311, 31402-6401, 31402-6411, 31402-6501, 31402-6511, 31402-6601, 31402-6611, 31402-6701, 31402-6711, 31403-6201, 31403-6211, 31403-6301, 31403-6311, 31403-6401, 31403-6411, 31403-9501, 31403-6511, 31403-6601, 31403-6611, 31403-6701, 31403-6711, 31404-6201, 31404-6211
T2	UPDATE BOM INFORMATION ON SHEET 9
T1	DELETE 31402/31403-7*** P/N
T	ADD P/N 3140*-7XXXX FOR 1X6 WITH 31412-6501 RING SEAL VERSION ON SHEET 9
S	ADD P/N: 31402-6131; 31402-6121
R	ADD P/N: 31404-3112; 31404-3102
P	ADD P/N: 31403-3132; 31403-3122
M	ADD P/N: 31402-6118; 31402-6108
L	1. REDRAW SALES DRAWING 2. UPDATE TERMINAL INFORMATION FOR 31404 SERIES 3. ADD P/N: 31403-6212; 31403-6202
REV	REV DESCRIPTION

SYMBOLS	THIS DRAWING CONTAINS INFORMATION THAT IS PROPRIETARY TO MOLEX ELECTRONIC TECHNOLOGIES, LLC AND SHOULD NOT BE USED WITHOUT WRITTEN PERMISSION		CURRENT REV DESC:	
DIMENSION UNITS	SCALE			
= 0	mm	1:1		
= 0	GENERAL TOLERANCES (UNLESS SPECIFIED)			
= 0	ANGULAR TOL	± 3.0°		
= 0	4 PLACES	±		
= 0	3 PLACES	±		
= 0	2 PLACES	± 0.13		
= 0	1 PLACE	± 0.3		
= 0	0 PLACES	±		
= 0	DRAFT WHERE APPLICABLE MUST REMAIN WITHIN DIMENSIONS			
	THIRD ANGLE PROJECTION			
		DRAWING	SERIES	
		D-SIZE	31402	
		EC NO: 604522	DRWN: PZHANG71	2018/09/10
		CHK'D: GLI04	APPR: JDENG02	2018/09/21
		INITIAL REVISION:	DRWN: RCARLSON	2004/03/01
			APPR: PBERG	2004/09/30

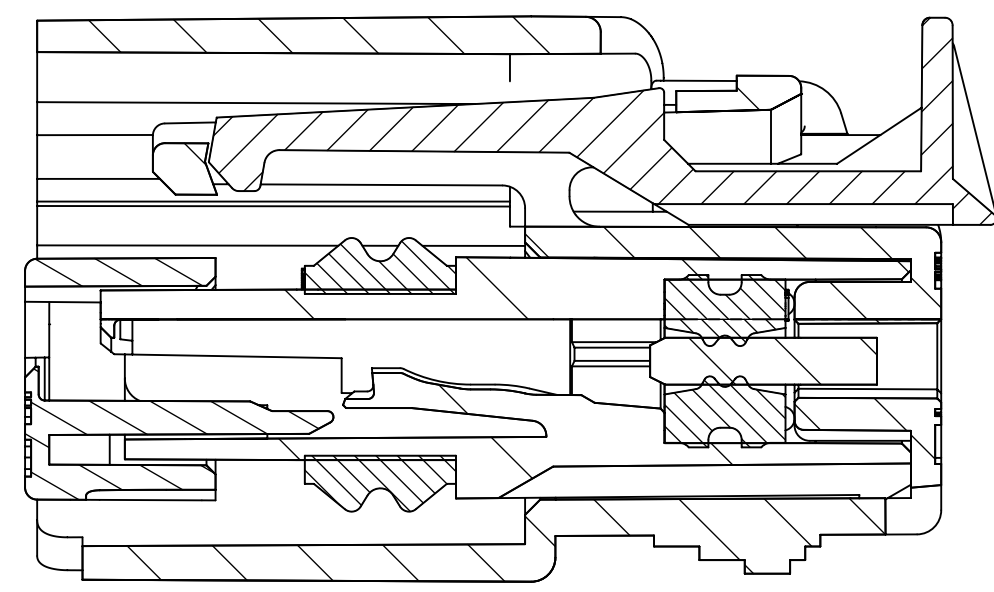
molex

0.64 USCAR CONNECTOR
SEALED SINGLE ROW ASSEMBLY

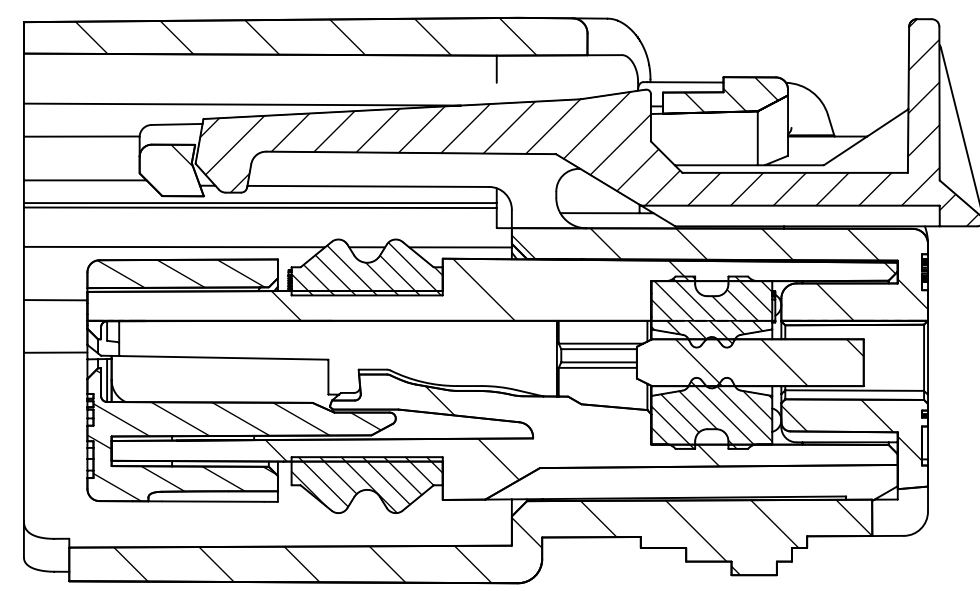
PRODUCT CUSTOMER DRAWING

DOCUMENT NUMBER	DOC TYPE	DOC PART	REVISION
SD-31402-211	PSD	001	T6

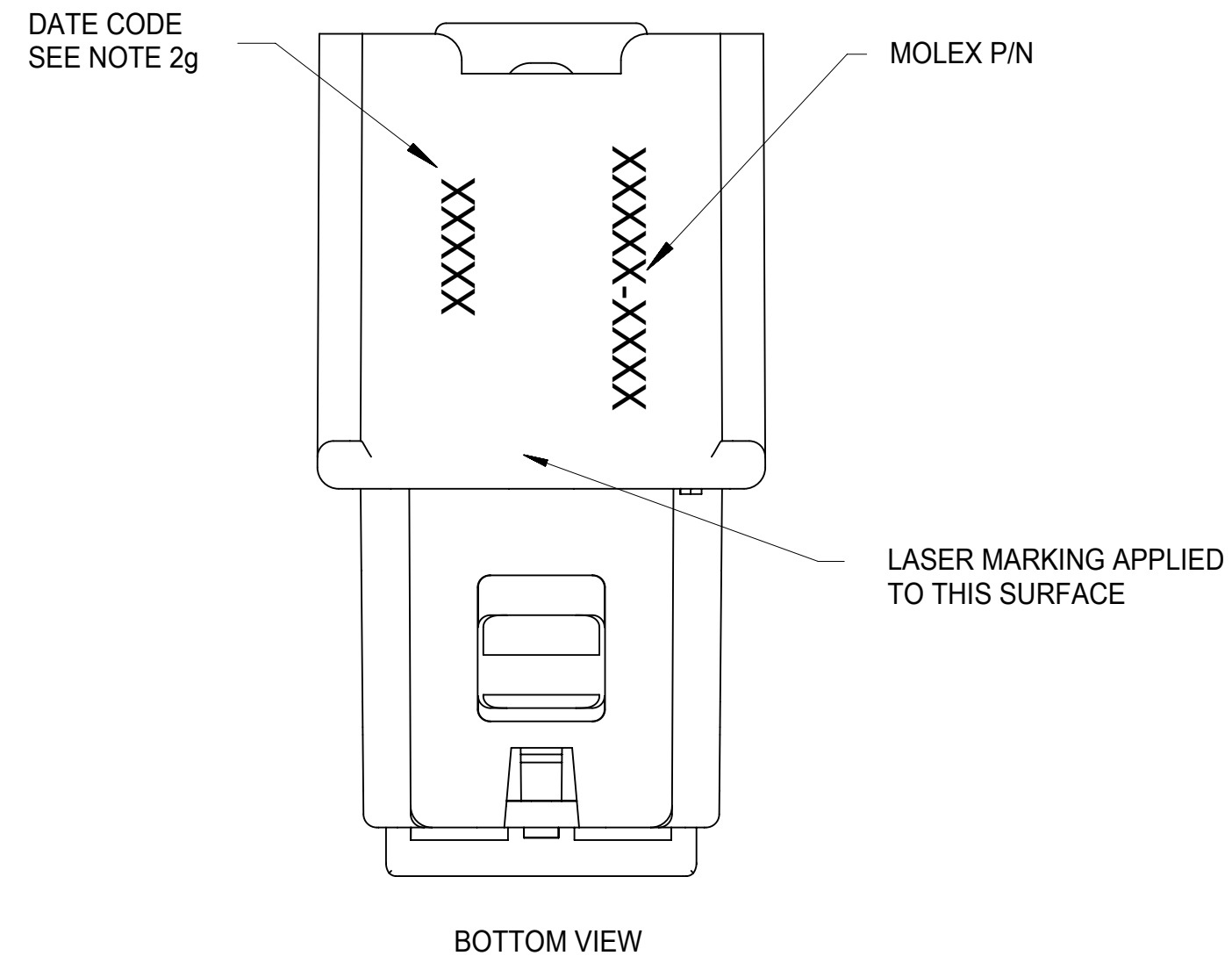
MATERIAL NUMBER	CUSTOMER	SHEET NUMBER
	GENERAL MARKET	1 OF 9



SECTION A-A
TPA SHOWN IN AS-SHIPPED
PRE-LOCKED POSITION
SEE NOTE 1c

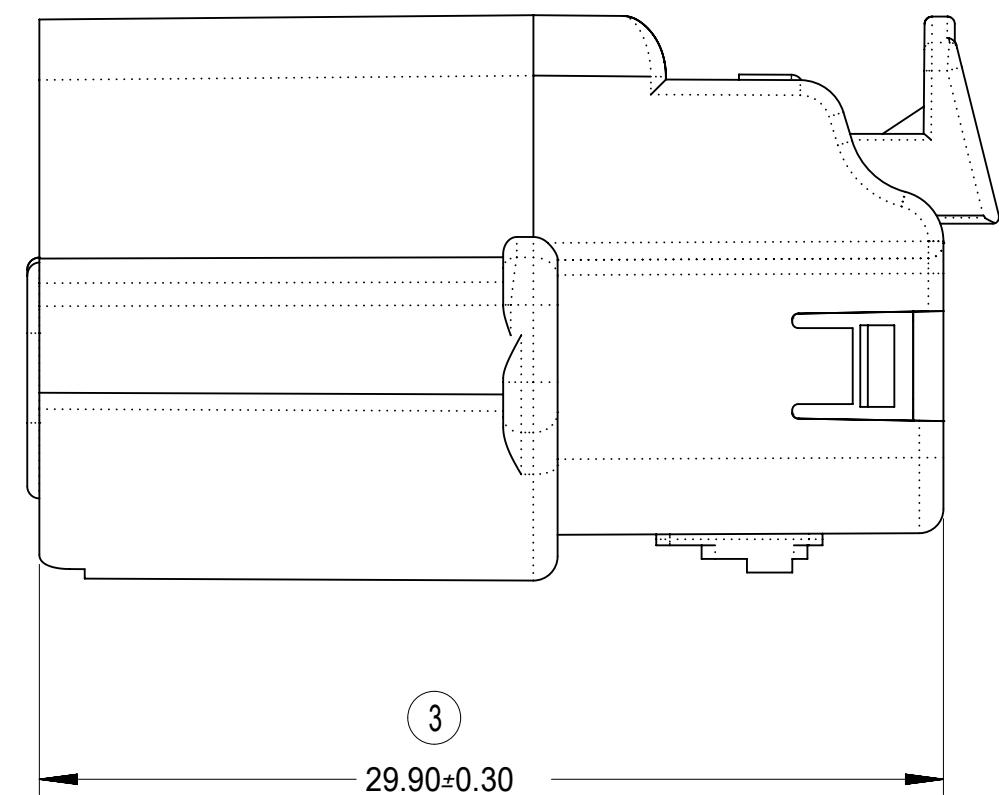
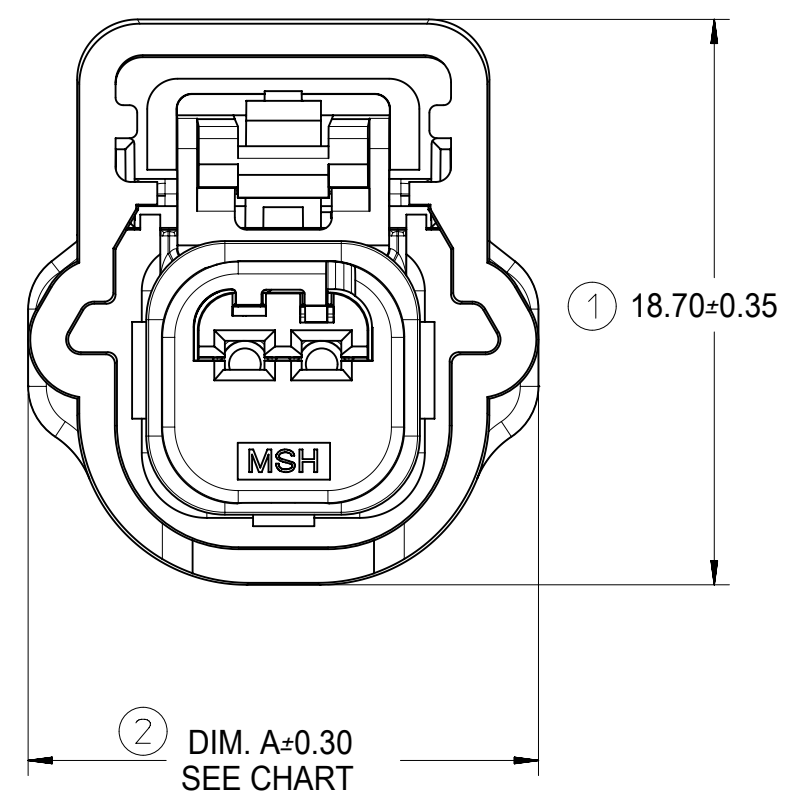
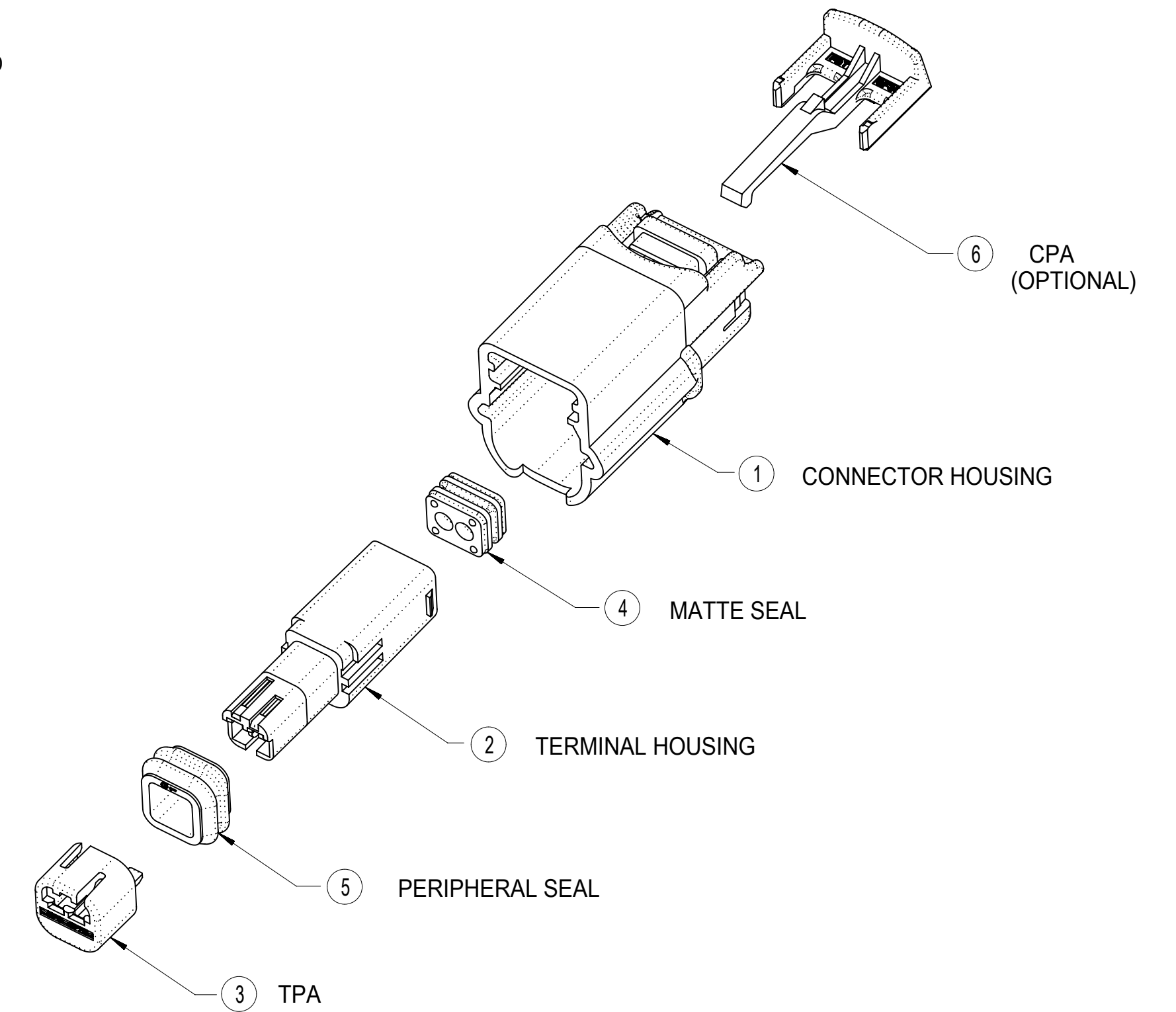


SECTION A-A
TPA SHOWN IN FINAL
LOCKED POSITION

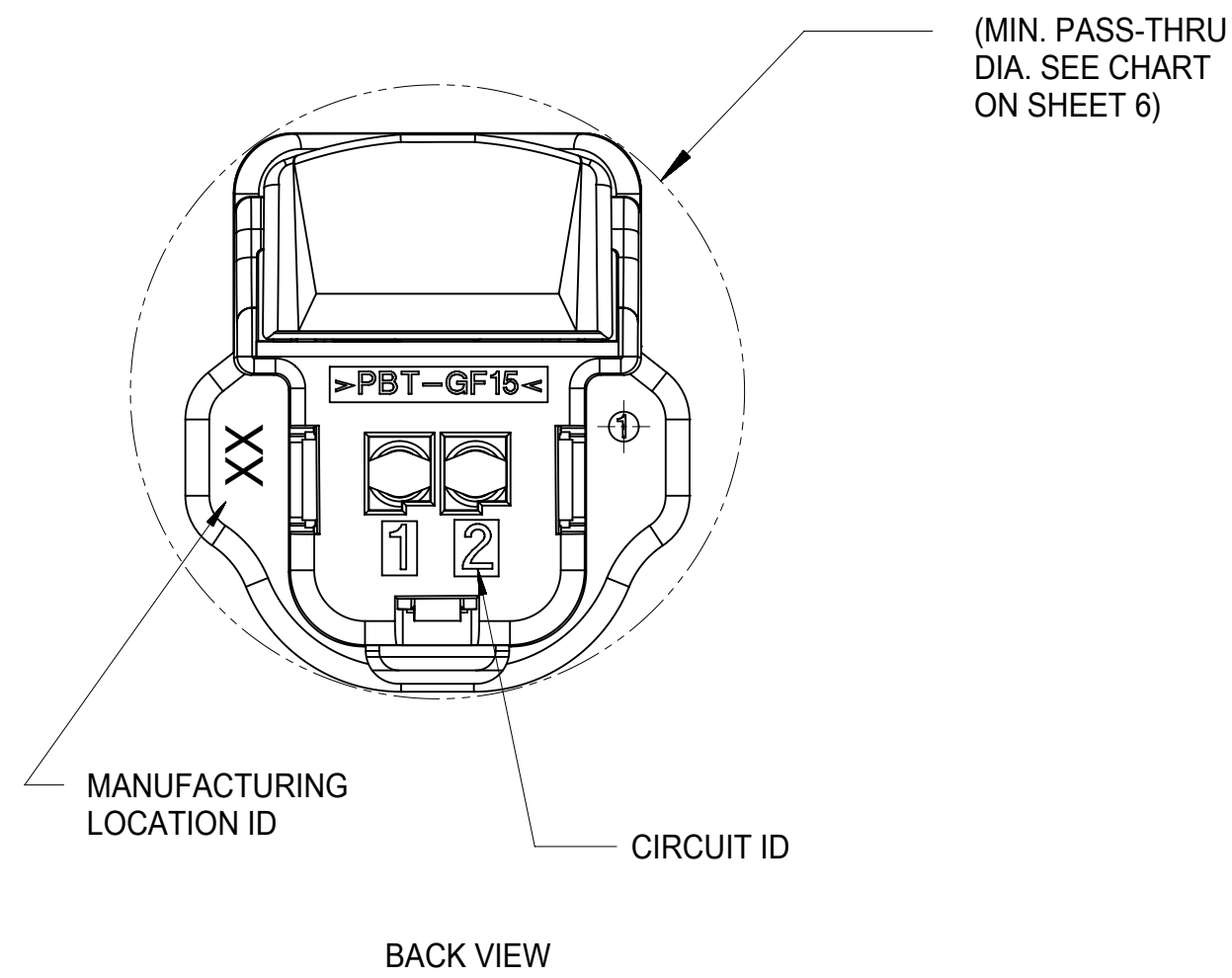


BOTTOM VIEW

CONNECTOR ASSEMBLY WITHOUT CLIPSLOT



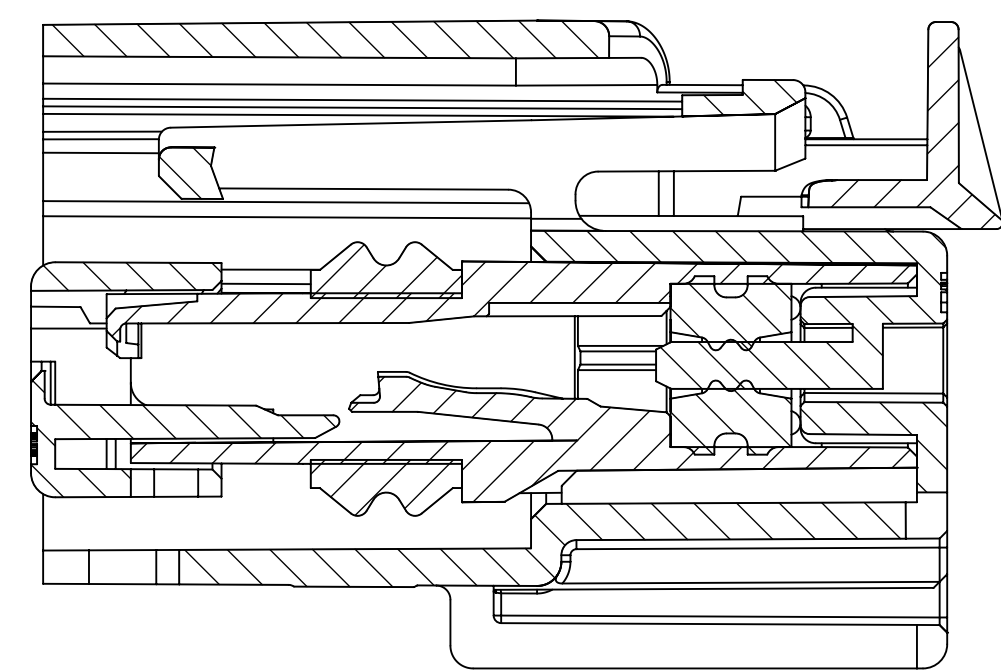
RIGHT SIDE VIEW



BACK VIEW

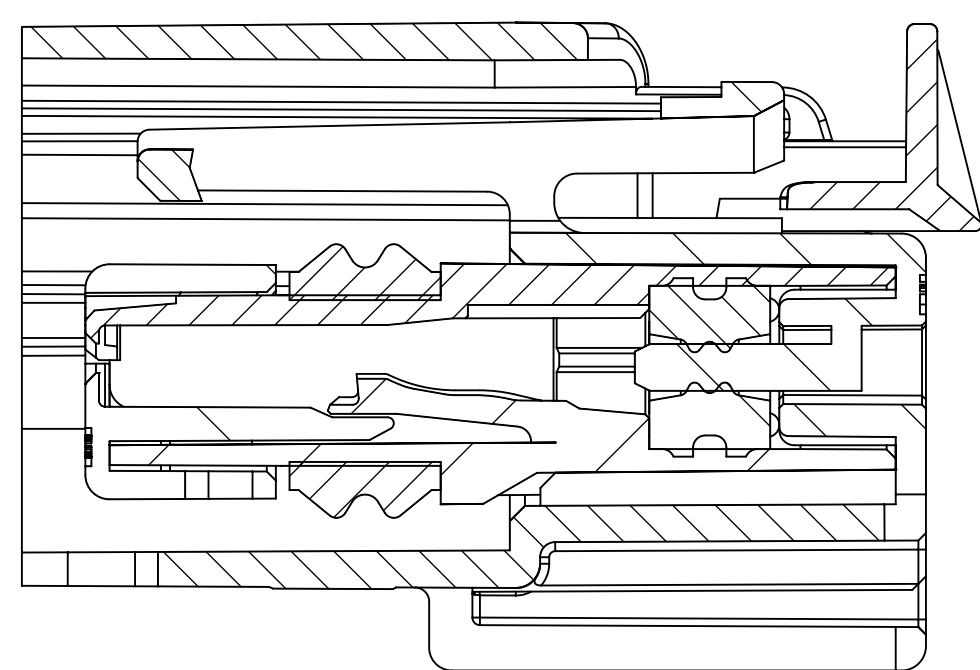
ITEM	DESCRIPTION	COLOR	MATERIAL
1	CONNECTOR HOUSING	SEE CHART	PBT GF15
2	TERMINAL HOUSING	BLACK	SPS/PA66 GF30
3	TPA	NATURAL	SPS/PA66 GF20
4	MATTE SEAL	SEE CHART	SILICONE RUBBER
5	PERIPHERAL SEAL	SEE CHART	SILICONE RUBBER
6	CPA - OPTIONAL	RED	PBT GF30

SYMBOLS		THIS DRAWING CONTAINS INFORMATION THAT IS PROPRIETARY TO MOLEX ELECTRONIC TECHNOLOGIES, LLC AND SHOULD NOT BE USED WITHOUT WRITTEN PERMISSION		CURRENT REV DESC:		molex	
▽ = 0	DIMENSION UNITS	mm	SCALE	1:1	EC NO: 604522		0.64 USCAR CONNECTOR SEALED SINGLE ROW ASSEMBLY
▽ = 0	GENERAL TOLERANCES (UNLESS SPECIFIED)				DRWN: PZHANG71	2018/09/10	
▽ = 0	ANGULAR TOL	±	3.0°		CHK'D: GLI04	2018/09/21	PRODUCT CUSTOMER DRAWING
▽ = 0	4 PLACES	±			APPR: JDENG02	2018/09/25	
▽ = 0	3 PLACES	±			INITIAL REVISION:		DOCUMENT NUMBER
▽ = 0	2 PLACES	±	0.13		DRWN: RCARLSON	2004/03/01	
▽ = 0	1 PLACE	±	0.3		APPR: PBERG	2004/09/30	DOC TYPE
▽ = 0	0 PLACES	±			THIRD ANGLE PROJECTION		DOC PART
▽ = 0	DRAFT WHERE APPLICABLE MUST REMAIN WITHIN DIMENSIONS				DRAWING	SERIES	REVISION
▽ = 0					D-SIZE	31402	T6
						MATERIAL NUMBER	
						CUSTOMER	
						SHEET NUMBER	
						2 OF 9	



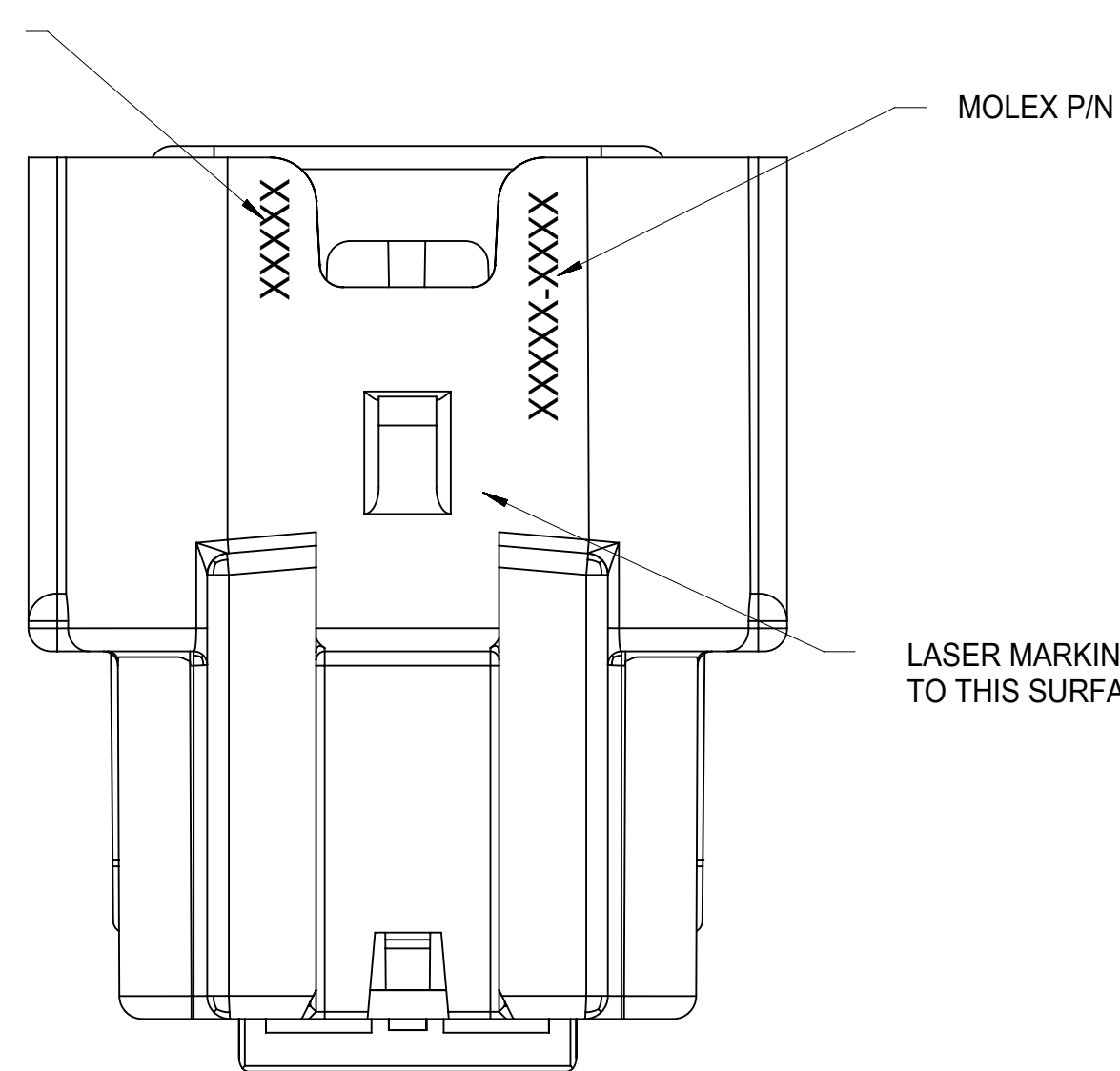
SECTION C-C

TPA SHOWN IN AS-SHIPPED
PRE-LOCKED POSITION
SEE NOTE 1c

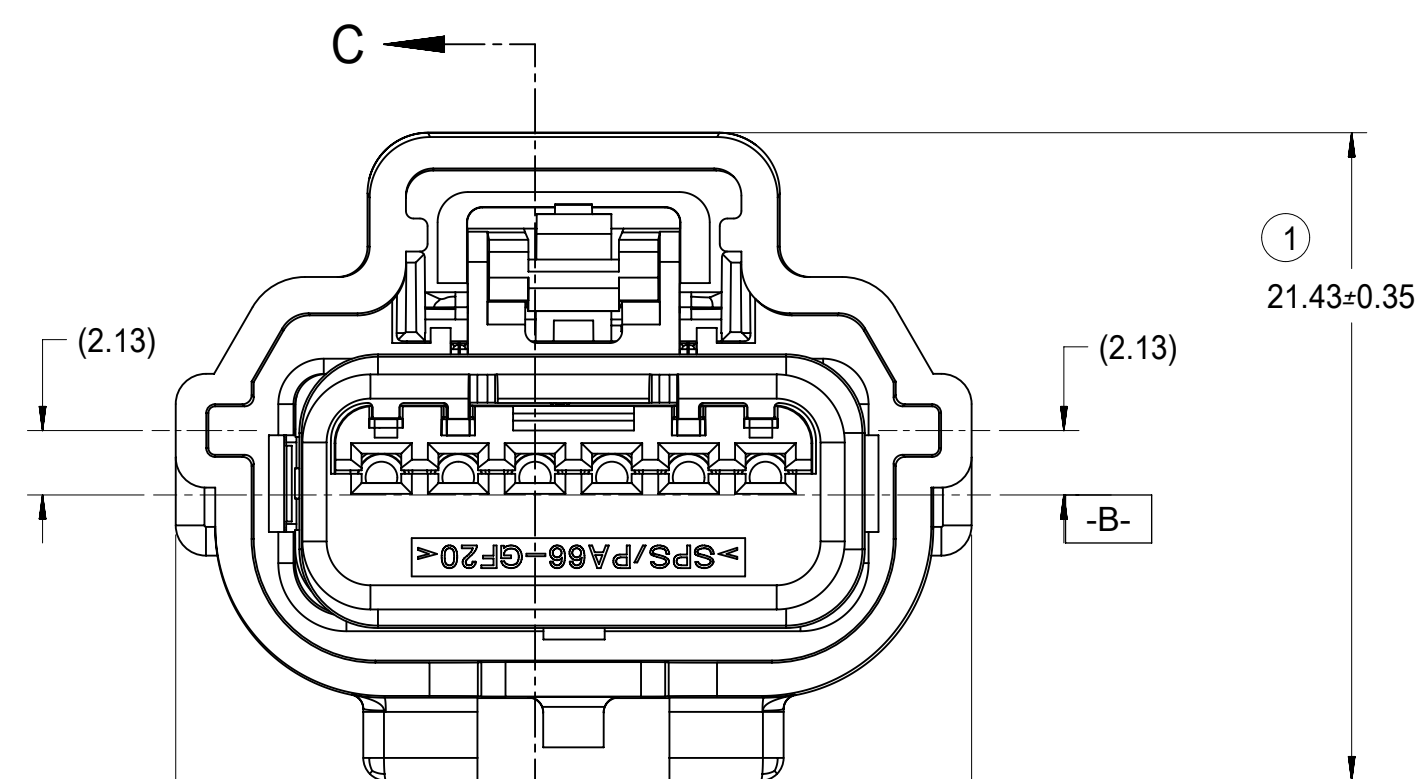
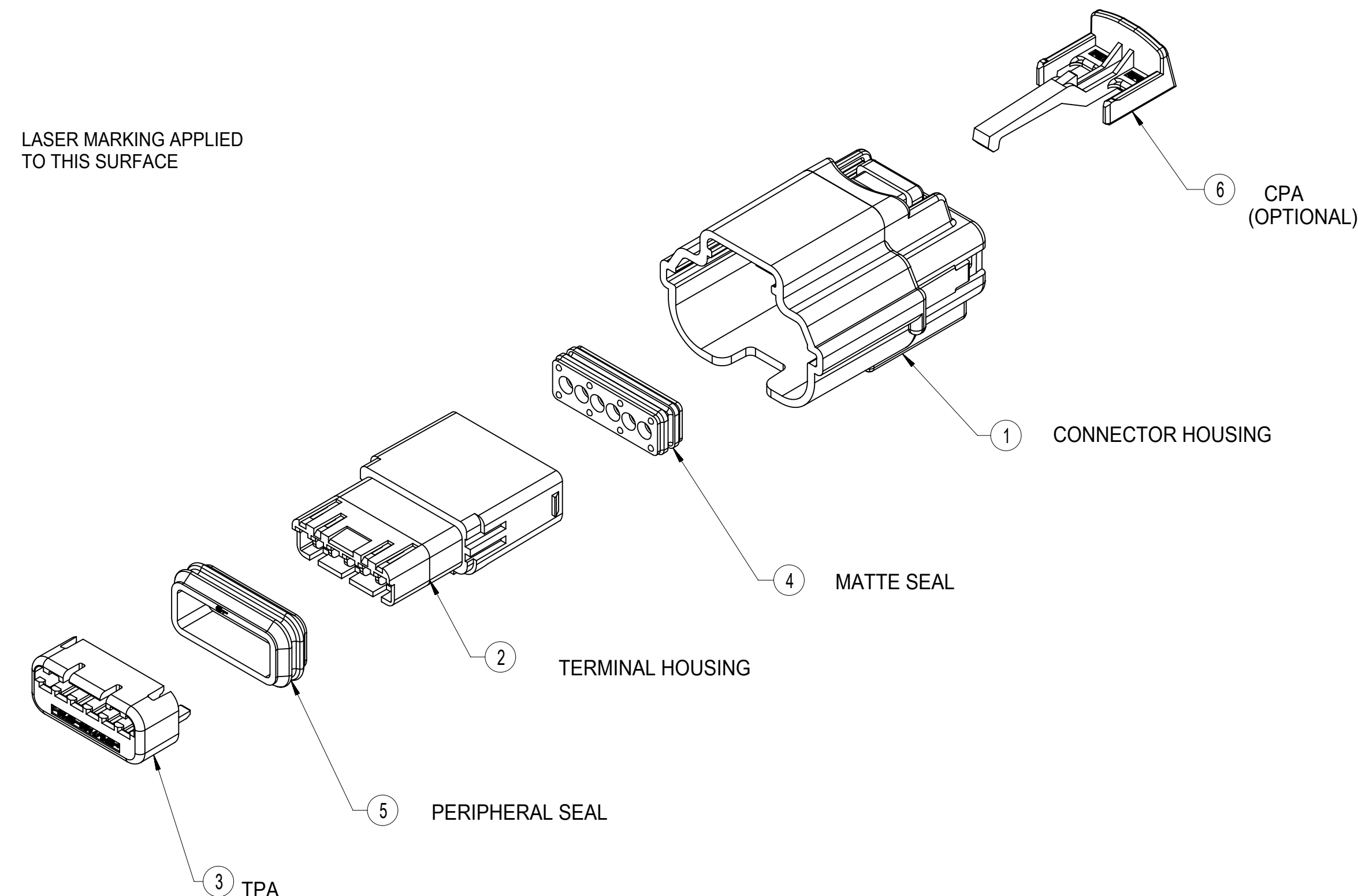


SECTION C-C

TPA SHOWN IN FINAL
LOCKED POSITION



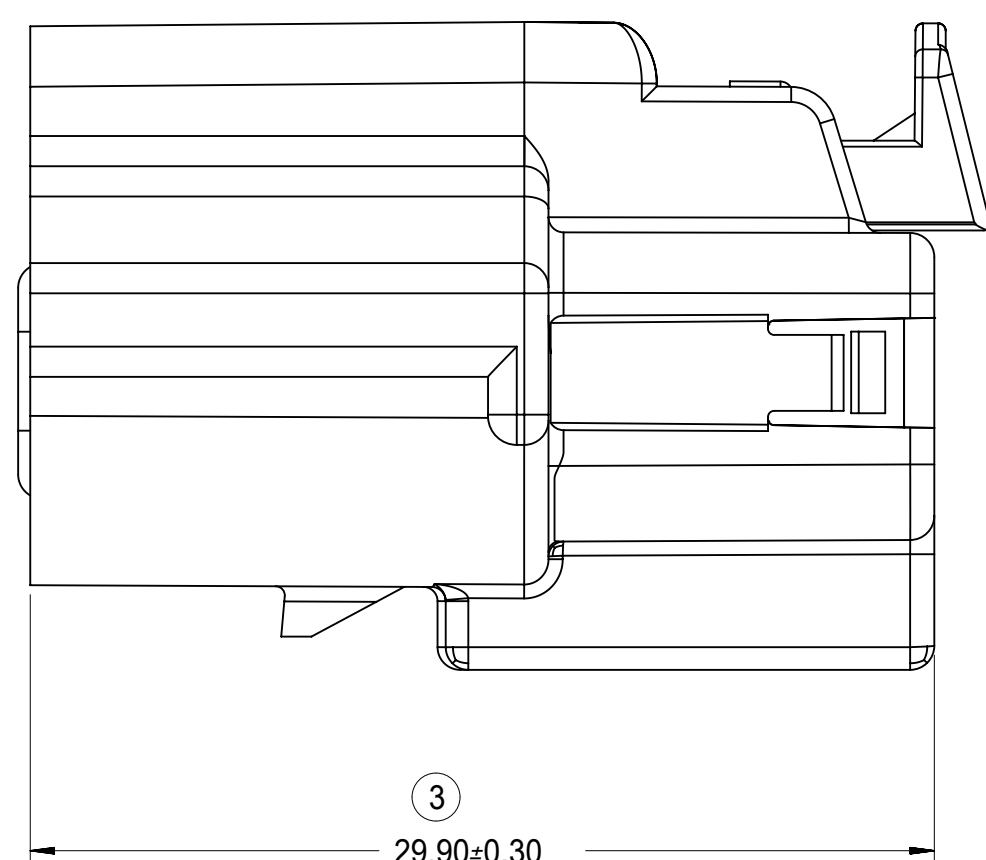
BOTTOM VIEW



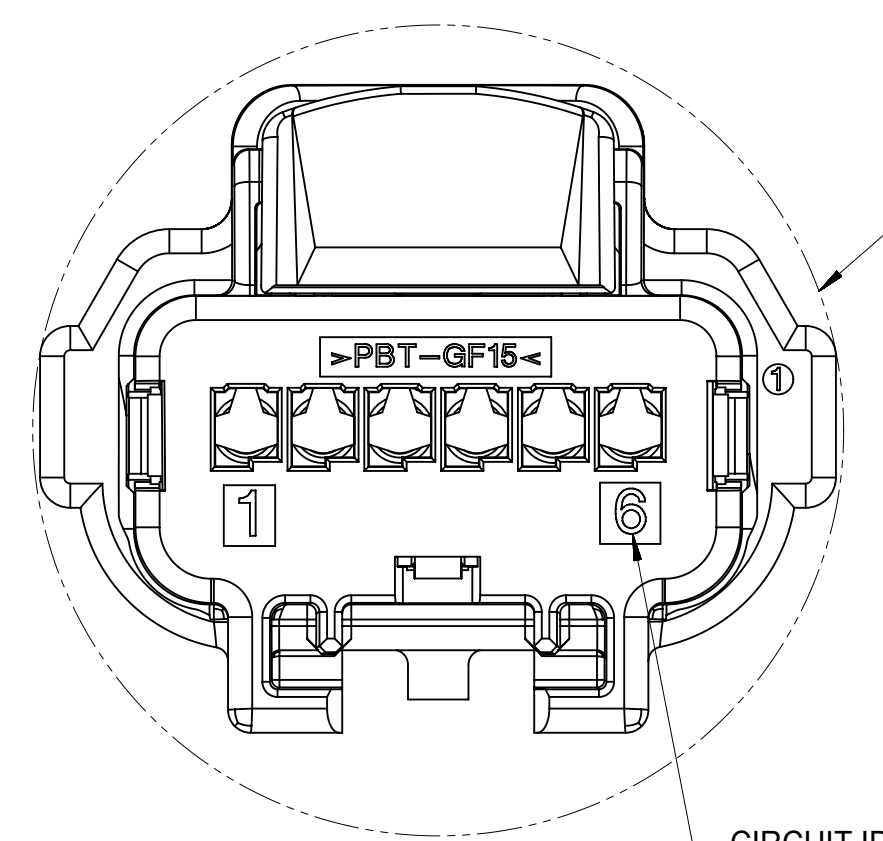
DIM A=0.30
SEE CHART

FRONT VIEW

POLARIZATION A



RIGHT SIDE VIEW



BACK VIEW

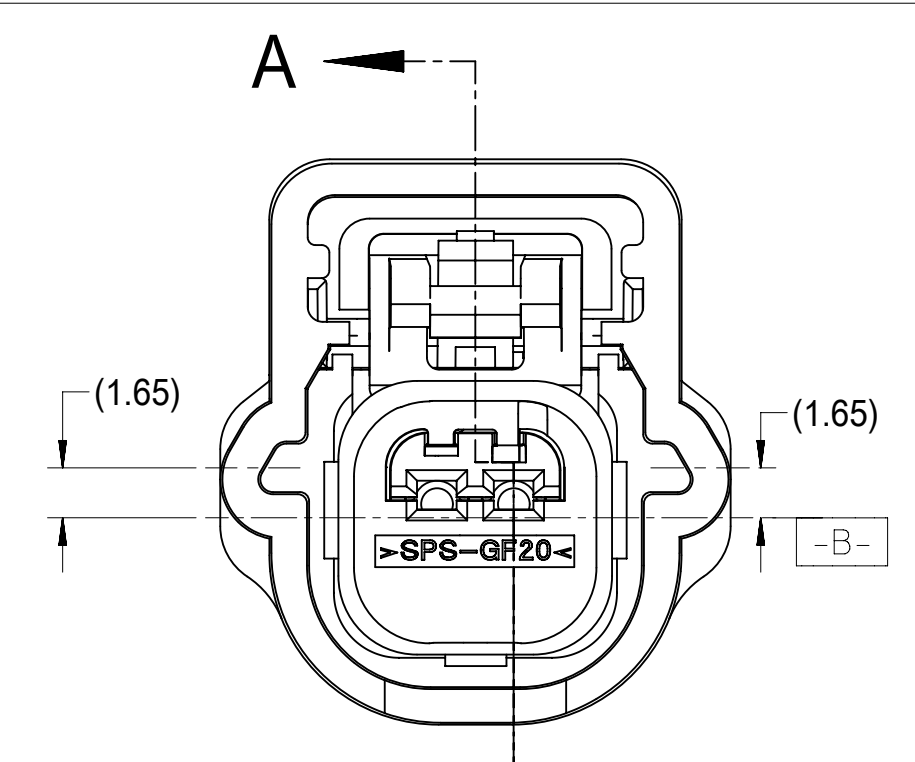
ITEM	DESCRIPTION	COLOR	MATERIAL
1	CONNECTOR HOUSING	SEE CHART	PBT GF15
2	TERMINAL HOUSING	BLACK	SPS/PA66 GF30
3	TPA	NATURAL	SPS/PA66 GF20
4	MATTE SEAL	SEE CHART	SILICONE RUBBER
5	PERIPHERAL SEAL	SEE CHART	SILICONE RUBBER
6	CPA - OPTIONAL	RED	PBT GF30

SYMBOLS		THIS DRAWING CONTAINS INFORMATION THAT IS PROPRIETARY TO MOLEX ELECTRONIC TECHNOLOGIES, LLC AND SHOULD NOT BE USED WITHOUT WRITTEN PERMISSION		CURRENT REV DESC:		molex			
DIMENSION UNITS	SCALE								
$\nabla = 0$	mm	1:1							
$\nabla = 0$	GENERAL TOLERANCES (UNLESS SPECIFIED)		EC NO: 604522				0.64 USCAR CONNECTOR SEALED SINGLE ROW ASSEMBLY		
$\nabla = 0$	ANGULAR TOL $\pm 3.0^\circ$		DRWN: PZHANG71 2018/09/10				PRODUCT CUSTOMER DRAWING		
$\nabla = 0$	4 PLACES \pm		CHK'D: GLI04 2018/09/21				DOCUMENT NUMBER		
$\nabla = 0$	3 PLACES \pm		APPR: JDENG02 2018/09/25				DOC TYPE		
$\nabla = 0$	2 PLACES ± 0.13		INITIAL REVISION:				DOC PART		
$\nabla = 0$	1 PLACE ± 0.3		DRWN: RCARLSON 2004/03/01				REVISION		
$\nabla = 0$	0 PLACES \pm		APPR: PBERG 2004/09/30				SD-31402-211		
$\square = 0$	DRAFT WHERE APPLICABLE MUST REMAIN WITHIN DIMENSIONS		THIRD ANGLE PROJECTION		DRAWING		SERIES		MATERIAL NUMBER
$\nabla = 0$			D-SIZE		31402		CUSTOMER		SHEET NUMBER
							GENERAL MARKET		3 OF 9

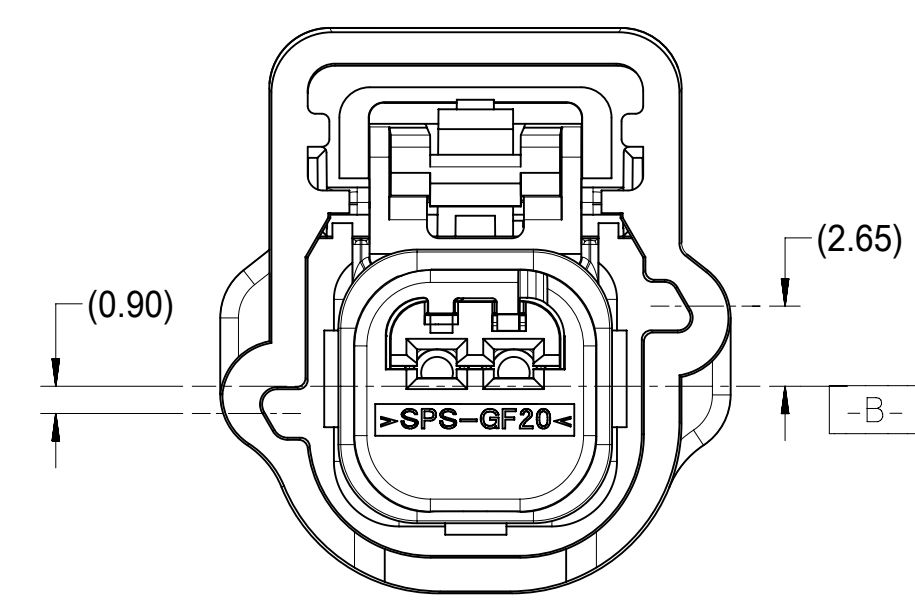
1X2

1X3

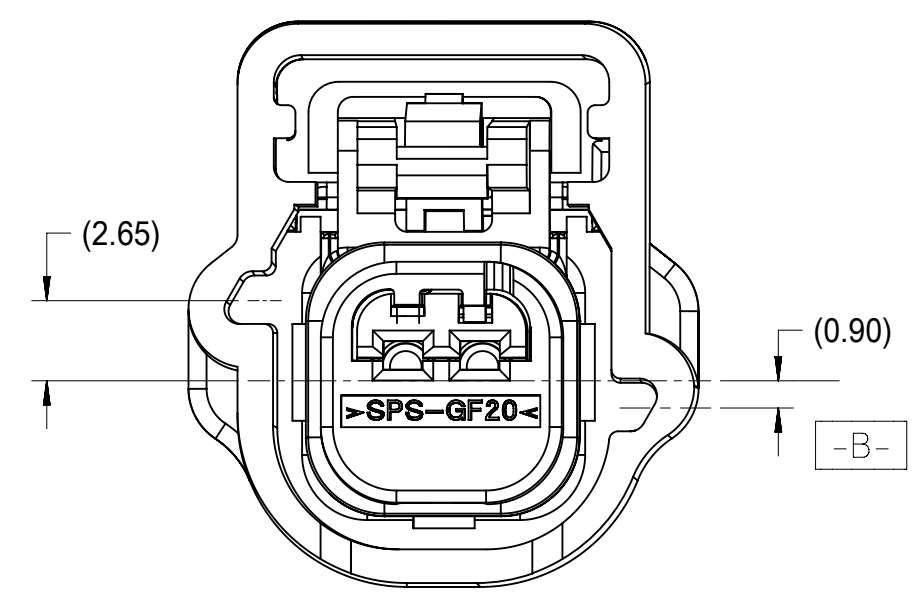
1X4



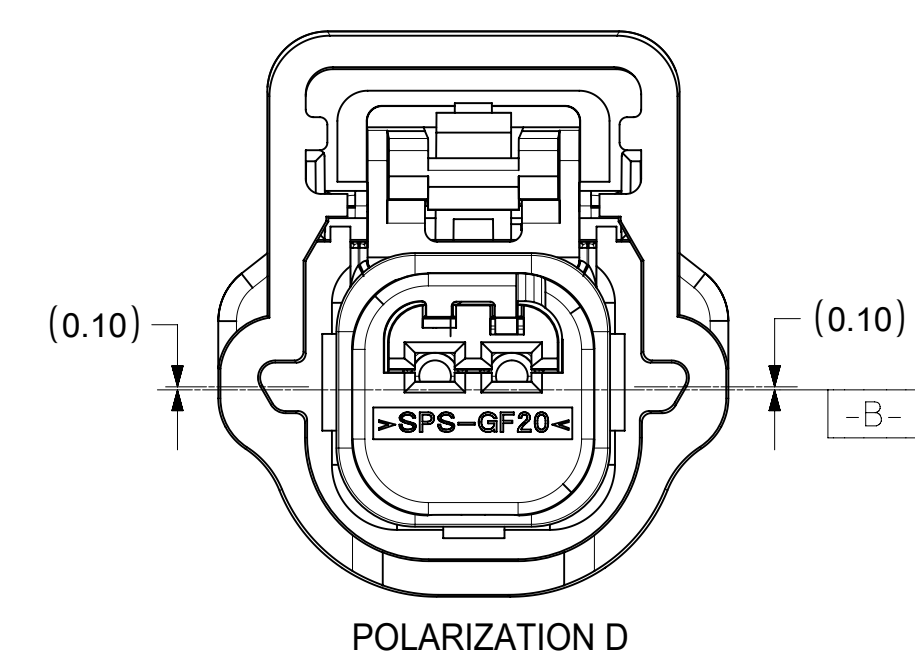
FRONT VIEW
POLARIZATION A



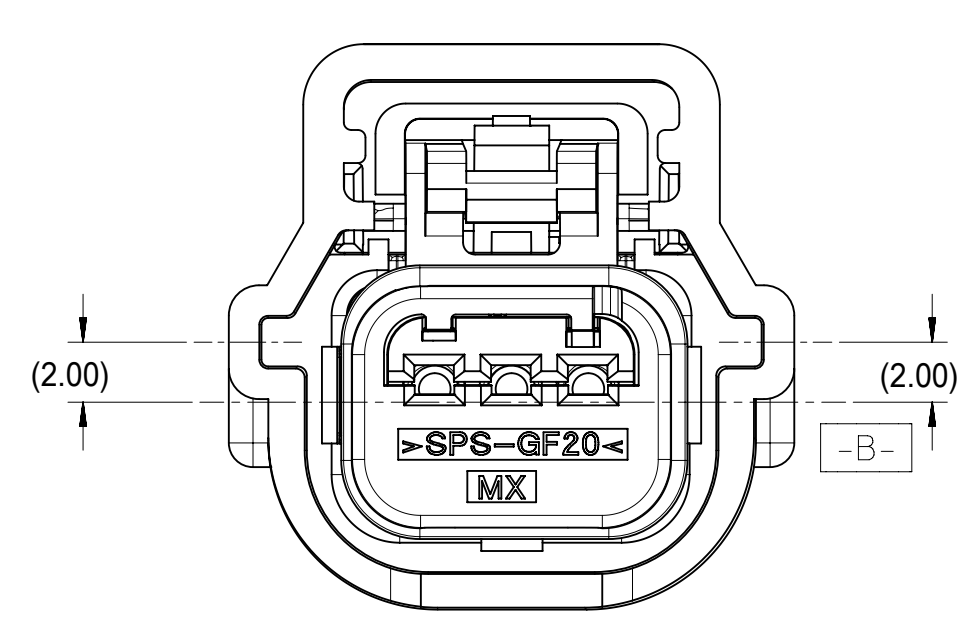
POLARIZATION B



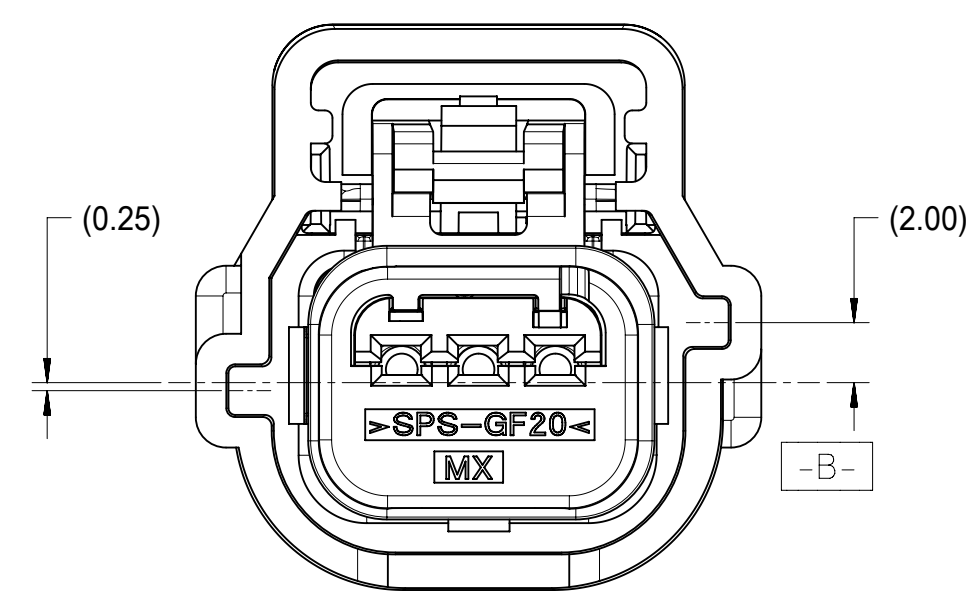
POLARIZATION C



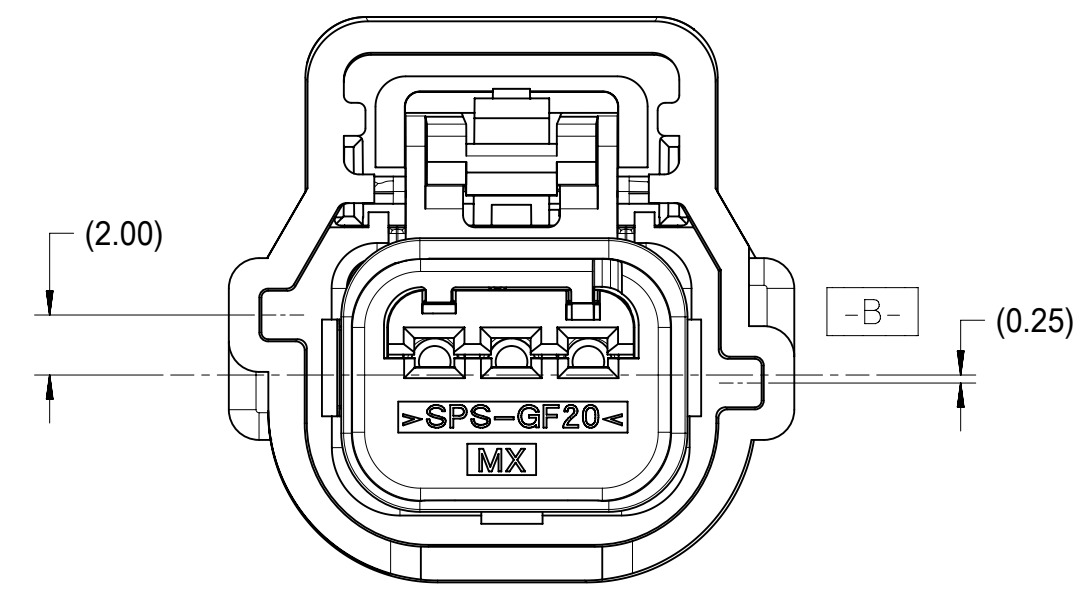
POLARIZATION D



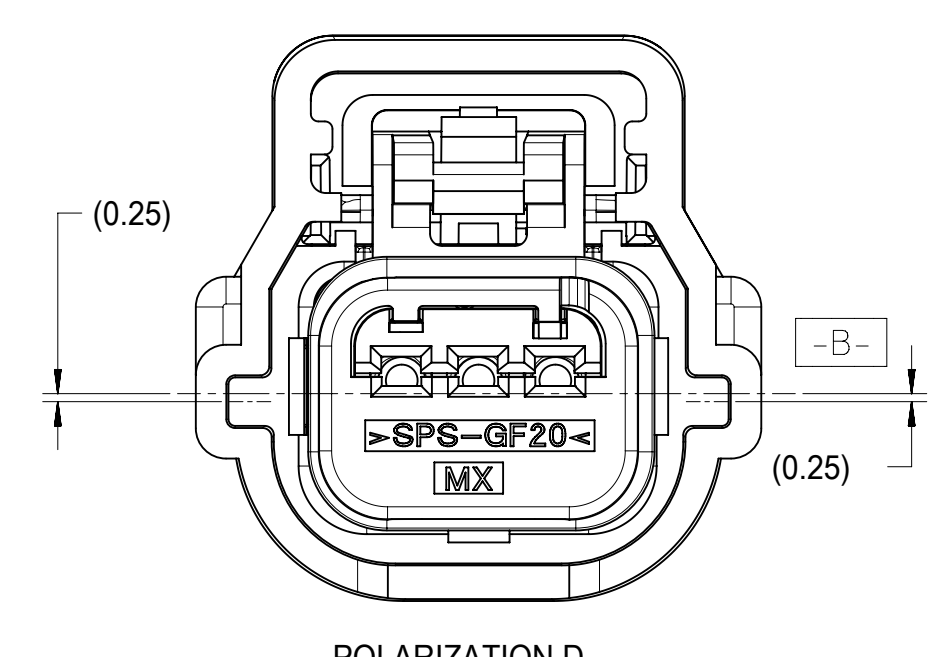
POLARIZATION A



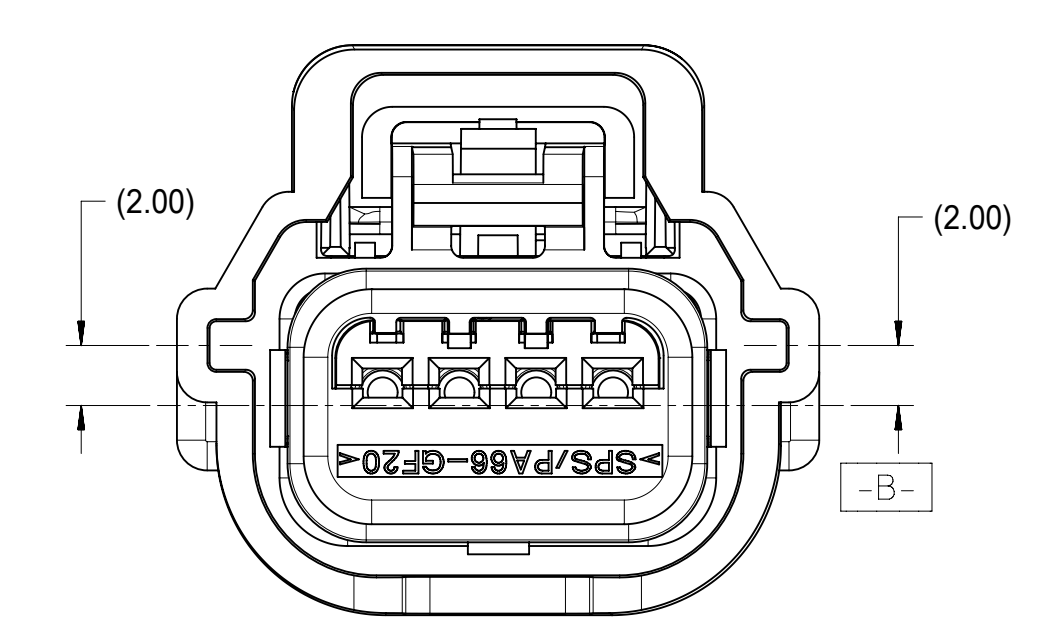
POLARIZATION B



POLARIZATION C



POLARIZATION D



POLARIZATION A

KEY CONFIGURATIONS

SYMBOLS		THIS DRAWING CONTAINS INFORMATION THAT IS PROPRIETARY TO MOLEX ELECTRONIC TECHNOLOGIES, LLC AND SHOULD NOT BE USED WITHOUT WRITTEN PERMISSION		CURRENT REV DESC:		molex		
▽ = 0	mm	SCALE	1:1	EC NO: 604522				0.64 USCAR CONNECTOR SEALED SINGLE ROW ASSEMBLY
▽ = 0	GENERAL TOLERANCES (UNLESS SPECIFIED)				DRWN: PZHANG71		2018/09/10	
▽ = 0	ANGULAR TOL ± 3.0°				CHK'D: GLI04		2018/09/21	
▽ = 0	4 PLACES ±				APPR: JDENG02		2018/09/25	
▽ = 0	3 PLACES ±				INITIAL REVISION:			
▽ = 0	2 PLACES ± 0.13				DRWN: RCARLSON		2004/03/01	
▽ = 0	1 PLACE ± 0.3				APPR: PBERG		2004/09/30	
▽ = 0	0 PLACES ±				DRAFT WHERE APPLICABLE MUST REMAIN WITHIN DIMENSIONS		THIRD ANGLE PROJECTION	
▽ = 0					DRAWING		SERIES	
				D-SIZE		31402		
DOCUMENT STATUS		P1		RELEASE DATE		2018/09/25 08:02:33		
						DOCUMENT NUMBER		
						SD-31402-211		
						DOC TYPE		
						PSD		
						DOC PART		
						001		
						REVISION		
						T6		
						MATERIAL NUMBER		
						CUSTOMER		
						GENERAL MARKET		
						SHEET NUMBER		
						4 OF 9		

PART NUMBER WITHOUT CPA	PART NUMBER WITH CPA	CLIP/SLOT OPTION	ROW/CIRCUITS	KEY*	MATTE SEAL COLOR	PERIMETER SEAL COLOR	CONNECTOR COLOR	WIDTH DIM (A)	MIN. PASS THRU DIA.	FEMALE TERMINAL SUPPLIER	USCAR FOOTPRINT DRAWING NO.	STATUS								
31402-2100	31402-2110	NO	1 X 2	A	ROYAL BLUE	BLUE	BLACK	16.88	(20.80)	TYCO OR MOLEX GET 0.64	064-S-002-1-Z02	TOOLED								
31402-2120	31402-2130			A								TOOLED , BUT NOT VALIDATED (T4)								
31402-2200	31402-2210			B								TOOLED								
31402-2300	31402-2310			C								TOOLED, COLOR UNAVAILABLE								
31402-2400	31402-2410			D								TOOLED, COLOR UNAVAILABLE								
31402-2500	31402-2510			B								TOOLED								
31402-2600	31402-2610			C								TOOLED								
31402-2700	31402-2710			D								TOOLED								
31403-2000	31403-2010			D								TOOLED (L)								
31403-2100	31403-2110			A								TOOLED								
31403-2200	31403-2210			B								TOOLED								
31403-2300	31403-2310			C								TOOLED, COLOR UNAVAILABLE								
31403-2400	31403-2410			D								TOOLED, COLOR UNAVAILABLE								
31403-2500	31403-2510			B								TOOLED (L)								
31403-2600	31403-2610			C						TOOLED										
31403-2700	31403-2710			D						TOOLED										
31403-2800	31403-2810			C						TOOLED (L)										
31403-2900	31403-2910			D						TOOLED										
31404-2100	31404-2110			A						BLACK										
31404-2200	31404-2210			B						GRAY										
31404-2300	31404-2310			C						BROWN										
31404-2400	31404-2410			D						GREEN										
31404-2500	31404-2510			B						BLACK										
31404-2600	31404-2610			C						BLACK										
31404-2700	31404-2710			D						BLACK										
31402-3100	31402-3110			NO						1 X 3		A	LIGHT BLUE	RUST RED	BLACK	18.70	(22.00)	TYCO OR MOLEX GET 0.64	064-S-003-1-Z01	TOOLED
31402-3200	31402-3210											B								TOOLED
31402-3300	31402-3310											C								TOOLED, COLOR UNAVAILABLE
31402-3400	31402-3410	D	TOOLED, COLOR UNAVAILABLE																	
31402-3500	31402-3510	B	TOOLED																	
31402-3600	31402-3610	C	TOOLED																	
31402-3700	31402-3710	D	TOOLED																	
31403-3000	31403-3010	D	TOOLED (L)																	
31403-3100	31403-3110	A	TOOLED																	
31403-3200	31403-3210	B	TOOLED																	
31403-3300	31403-3310	C	TOOLED, COLOR UNAVAILABLE																	
31403-3400	31403-3410	D	TOOLED, COLOR UNAVAILABLE																	
31403-3500	31403-3510	B	TOOLED																	
31403-3600	31403-3610	C	TOOLED																	
31403-3700	31403-3710	D	TOOLED																	
31403-3800	31403-3810	C	TOOLED (L)																	
31404-3100	31404-3110	A	BLACK																	
31404-3200	31404-3210	B	GRAY																	
31404-3300	31404-3310	C	BROWN																	
31404-3400	31404-3410	D	GREEN																	
31404-3500	31404-3510	B	BLACK																	
31404-3600	31404-3610	C	BLACK																	
31404-3700	31404-3710	D	BLACK																	
31402-4100	31402-4110	NO	1 X 4		A	TBD	TBD	BLACK	21.25		(22.34)	TYCO OR MOLEX GET 0.64						064-S-004-1-Z02		NOT TOOLED
31402-4200	31402-4210				B															NOT TOOLED
31402-4300	31402-4310				C															NOT TOOLED
31402-4400	31402-4410				D															NOT TOOLED
31402-4500	31402-4510				B															NOT TOOLED
31402-4600	31402-4610			C	NOT TOOLED															
31402-4700	31402-4710			D	NOT TOOLED															
31403-4100	31403-4110			A	BLACK															
31403-4200	31403-4210			B	GRAY															
31403-4300	31403-4310			C	BROWN															
31403-4400	31403-4410			D	GREEN															
31403-4500	31403-4510			B	BLACK															
31403-4600	31403-4610			C	BLACK															
31403-4700	31403-4710			D	BLACK															
31404-4100	31404-4110			A	BLACK															
31404-4200	31404-4210			B	GRAY															
31404-4300	31404-4310			C	BROWN															
31404-4400	31404-4410			D	GREEN															
31404-4500	31404-4510			B	BLACK															
31404-4600	31404-4610			C	BLACK															
31404-4700	31404-4710			D	BLACK															
31404-4100	31404-4110			A	BLACK															
31404-4200	31404-4210			B	GRAY															
31404-4300	31404-4310			C	BROWN															
31404-4400	31404-4410			D	GREEN															
31404-4500	31404-4510			B	BLACK															
31404-4600	31404-4610			C	BLACK															
31404-4700	31404-4710			D	BLACK															

SYMBOLS = 0 = 0 = 0 = 0 = 0 = 0 = 0 = 0 = 0 = 0	THIS DRAWING CONTAINS INFORMATION THAT IS PROPRIETARY TO MOLEX ELECTRONIC TECHNOLOGIES, LLC AND SHOULD NOT BE USED WITHOUT WRITTEN PERMISSION					
	DIMENSION UNITS	SCALE	CURRENT REV DESC:			
	mm	1:1				
	GENERAL TOLERANCES (UNLESS SPECIFIED)					
	ANGULAR TOL	± 3.0°	EC NO: 604522			
	4 PLACES	±	DRWN: PZHANG71 2018/09/10			
	3 PLACES	±	CHK'D: GLI04 2018/09/21			
	2 PLACES	± 0.13	APPR: JDENG02 2018/09/25			
	1 PLACE	± 0.3	INITIAL REVISION:			
	0 PLACES	±	DRWN: RCARLSON 2004/03/01 2004/09/30			
DRAFT WHERE APPLICABLE MUST REMAIN WITHIN DIMENSIONS						
THIRD ANGLE PROJECTION	DRAWING	SERIES	DOCUMENT NUMBER	DOC TYPE	DOC PART	REVISION
	D-SIZE	31402	SD-31402-211	PSD	001	T6
			MATERIAL NUMBER	CUSTOMER		SHEET NUMBER
			GENERAL MARKET		6 OF 9	

PART NUMBER WITHOUT CPA	PART NUMBER WITH CPA	CLIPSLOT OPTION	ROW/ CIRCUITS	KEY*	MATTE SEAL COLOR	PERIMETER SEAL COLOR	CONNECTOR COLOR	WIDTH DIM (A)	MIN. PASS THRU DIA.	FEMALE TERMINAL SUPPLIER	USCAR FOOTPRINT DRAWING NO.	STATUS
31404-7100	31404-7110	NO	1X6	A	ROYAL BLUE	LIGHT BLUE	BLACK	26.33	(26.82)	YAZAKI KAIZEN 0.64 TE GEN Y 0.64 JST AIT 0.64	064-S-006-1-Z02	TOOLED
31404-7200	31404-7210			B			GRAY					TOOLED
31404-7300	31404-7310			C			BROWN					TOOLED, COLOR UNAVAILABLE
31404-7400	31404-7410			D			GREEN					TOOLED, COLOR UNAVAILABLE
31404-7500	31404-7510			B			BLACK					TOOLED
31404-7600	31404-7610			C			BLACK					TOOLED
31404-7700	31404-7710			D			BLACK					TOOLED
31404-7800	31404-7810			C			NATURAL					TOOLED

ADDITIONAL CAVITY PLUG CONFIGURATIONS:

ROW/ CIRCUITS	FEMALE TERMINAL	MOLEX P/N WITH CPA	MOLEX P/N WITHOUT CPA	KEY OPTION	CLIPSLOT OPTION	COLOR	CIRCUIT NUMBER: "0" INDICATED PLUG LOCATION						TOTAL CIRCUITS PLUGGED	STATUS
							1	2	3	4	5	6		
1X6	YAZAKI KAIZEN 0.64 TE GEN Y 0.64 JST AIT 0.64	31404-7110	31404-7100	A	NO	BLACK							0	TOOLED
		31404-7111	31404-7101	A	NO	BLACK	0	0	0	0	0	0	6	TOOLED
		31404-7112	31404-7102	A	NO	BLACK	0		0				2	TOOLED
		31404-7113	31404-7103	A	NO	BLACK	0					0	2	TOOLED
		31404-7116	31404-7106	A	NO	BLACK						0	1	TOOLED
		31404-7117	31404-7107	A	NO	BLACK	0		0			0	3	TOOLED
		31404-7118	31404-7108	A	NO	BLACK	0						1	TOOLED
		31404-7119	31404-7109	A	NO	BLACK			0		0	0	3	TOOLED
		31404-7132	31404-7122	A	NO	BLACK			0				1	TOOLED
		31404-7133	31404-7123	A	NO	BLACK		0					1	TOOLED
		31404-7134	31404-7124	A	NO	BLACK				0		0	2	TOOLED
		31404-7213	31404-7203	B	NO	GRAY	0					0	2	TOOLED
		31404-7214	31404-7204	B	NO	GRAY						0	1	TOOLED
		31404-7215	31404-7205	B	NO	GRAY		0					1	TOOLED
		31404-7812	31404-7802	C	NO	NATURAL				0	0	0	3	TOOLED
		31404-7813	31404-7803	C	NO	NATURAL		0					1	TOOLED
31404-7912	31404-7902	D	NO	GRAY		0					1	TOOLED		

SYMBOLS	THIS DRAWING CONTAINS INFORMATION THAT IS PROPRIETARY TO MOLEX ELECTRONIC TECHNOLOGIES, LLC AND SHOULD NOT BE USED WITHOUT WRITTEN PERMISSION									
	DIMENSION UNITS	SCALE	CURRENT REV DESC:							
▽ = 0	mm	1:1	molex 0.64 USCAR CONNECTOR SEALED SINGLE ROW ASSEMBLY PRODUCT CUSTOMER DRAWING DOCUMENT NUMBER: SD-31402-211 DOC TYPE: PSD DOC PART: 001 REVISION: T6 MATERIAL NUMBER: 31402 CUSTOMER: GENERAL MARKET SHEET NUMBER: 9 OF 9							
▽ = 0	GENERAL TOLERANCES (UNLESS SPECIFIED)									
▽ = 0	ANGULAR TOL ± 3.0°									
▽ = 0	4 PLACES	±								
▽ = 0	3 PLACES	±								
▽ = 0	2 PLACES	± 0.13	EC NO: 604522 DRWN: PZHANG71 2018/09/10 CHK'D: GLI04 2018/09/21 APPR: JDENG02 2018/09/25 INITIAL REVISION: DRWN: RCARLSON 2004/03/01 APPR: PBERG 2004/09/30							
☒ = 0	1 PLACE	± 0.3	DRAFT WHERE APPLICABLE MUST REMAIN WITHIN DIMENSIONS							
■ = 0	0 PLACES	±	THIRD ANGLE PROJECTION		DRAWING		SERIES		MATERIAL NUMBER	
▽ = 0			D-SIZE		31402					