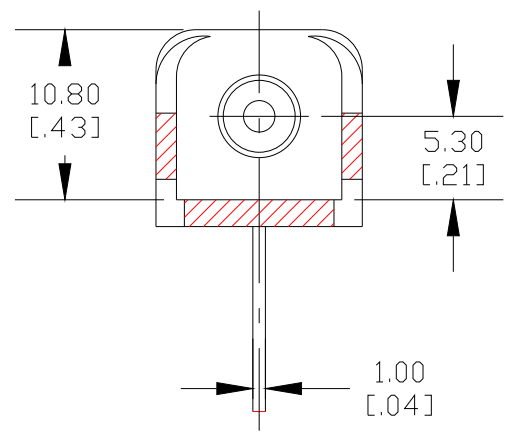
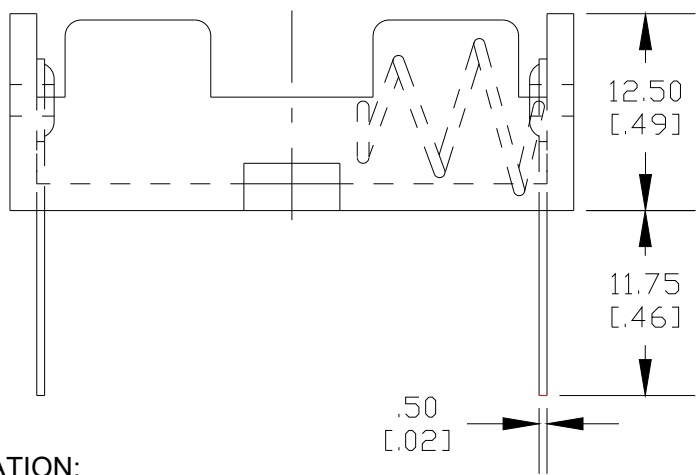
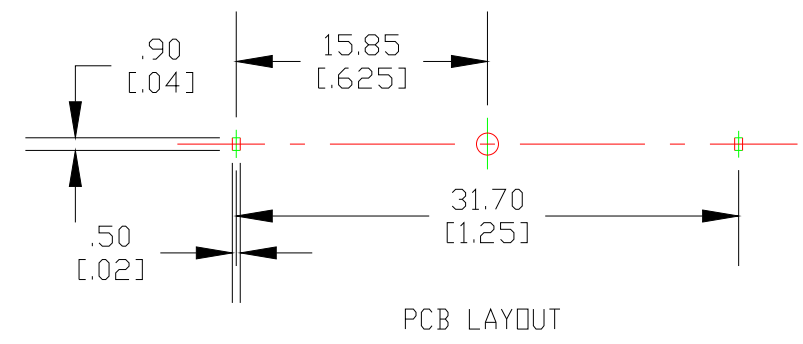
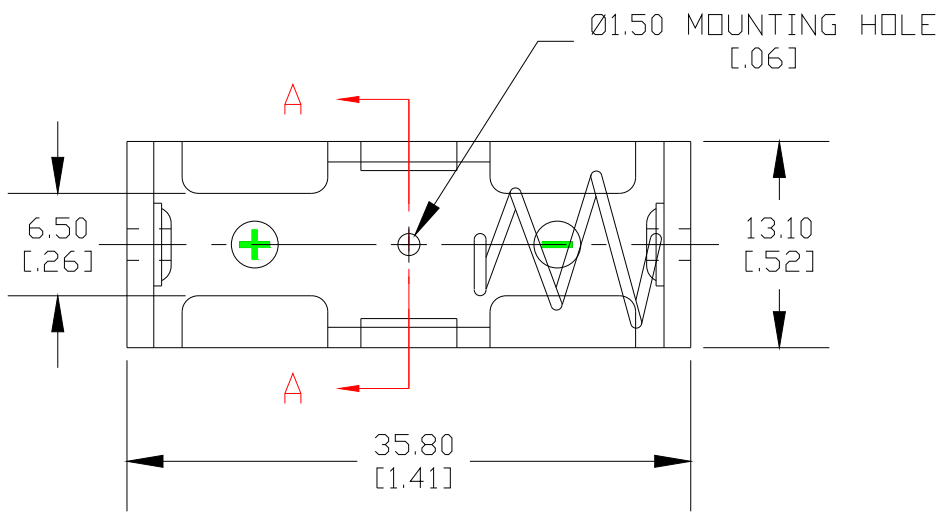



Date	SYM	REVISION RECORD	AUTH	DR.	CK.
5/06/06	C	ADDED CONTACT RESI. INFO.	T.B.	B.S.	
9/05/14	D	UPDATED TO RHOS 2 COMPLIANT	T.B.	B.S.	
7/22/17	E	DIM. 1.00 WAS 0.80 UPDATED SPECIFICATION	T.B.	B.S.	
2/09/18	F	DIM. 31.70 WAS 31.65 DIM. 15.85 WAS 15.50	T.B.	B.S.	



SPECIFICATION:

1. MATERIAL:

- HOUSING : BLACK POLYPROPYLENE
- FLAMMABILITY RATING -UL94-HB, UL FILE NO. E216959
- TEMPERATURE RANGE: -10°C to +100°C
- SPRING: SPRING STEEL, NICKEL PLATED.
- PC PINS: STEEL, NICKEL PLATED
- CONTACT RESISTANCE: UNDER 50mΩ FOR +/- CONTACTS PER EIA-540J000
- ROHS 2 COMPLIANT

Tolerance (Inches)	 Memory Protection Devices, Inc 200 Broad Hollow Road, Farmingdale, New York 11735		
Decimal ±.5 (.020)	Scale	Drawn By B.S.	
Fractional ±.8 (.030)	Title 23A BATTERY HOLDER WITH PC PINS		
Angular ± 3°	Date 2/09/18	Drawing Number BH23APC	
		Approved By T.B.	