

Fig. 1

- Ultra low profile receptacles sit .018" above the board.
- Series 714 uses M-M# 0552-1, 0552-2 pin receptacles. See page 127 for details.
- Hi-Rel, 3-finger BeCu #11 clip is rated at 3amps. See page 206 for details.



Ordering Information

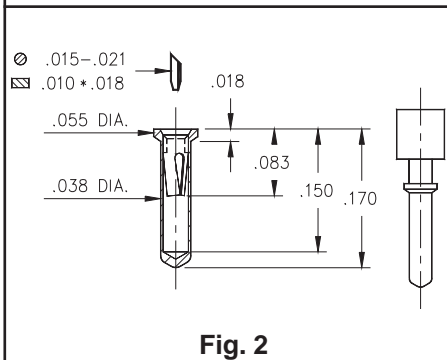


Fig. 2

Fig. 1

Single Row (.039 min. mounting hole)

714-XX-1__-31-012
Specify # of pins **01-64**

Fig. 2

Single Row (.039 min. mounting hole)

714-XX-1__-31-018
Specify # of pins **01-64**

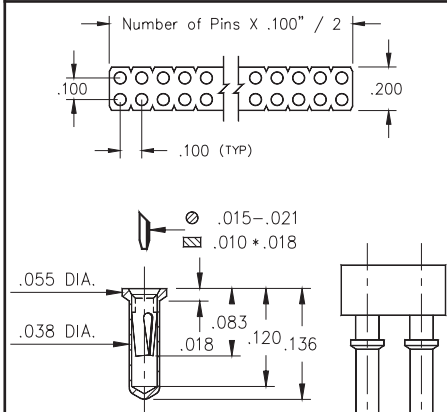


Fig. 3

Fig. 3

Double Row (.039 min. mounting hole)

714-XX-2__-31-012
Specify # of pins **02-64**

Fig. 4

Double Row (.039 min. mounting hole)

714-XX-2__-31-018
Specify # of pins **02-64**

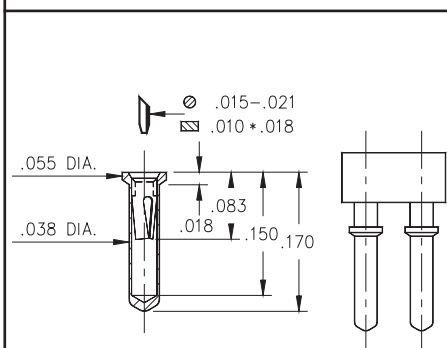


Fig. 4

XX= Plating Code
See Below

SPECIFY PLATING CODE XX=			93	99
Sleeve (Pin)			200∞" Sn/Pb	200∞" Sn/Pb
Contact (Clip)			30∞" Au	200∞" Sn/Pb