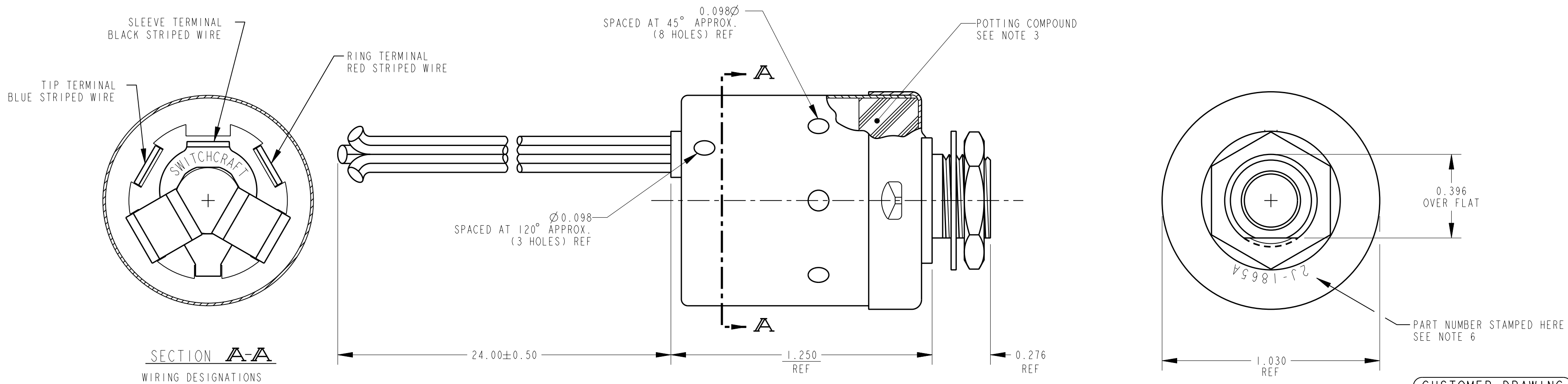
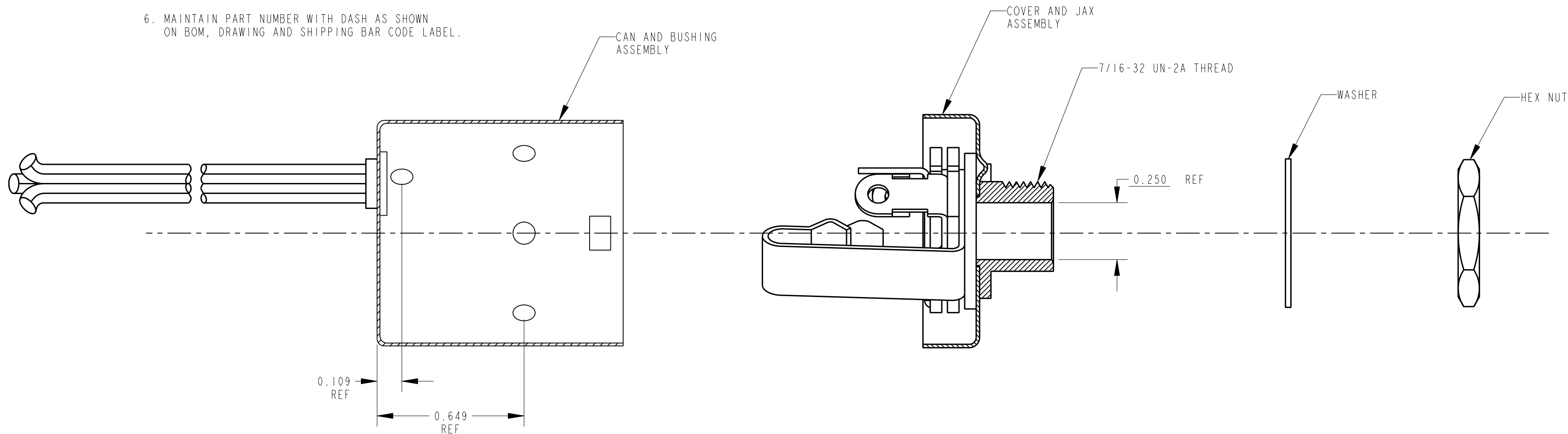


NOTES:

1. MATES WITH SWITCHCRAFT® NO.482 PLUG.
2. COVER IS PERMANENTLY SECURED TO CAN AFTER FINAL ASSEMBLY.
3. JACK INSULATORS ARE COMPLETELY ENCASED IN DOW CORNING RTV 3110 POTTING COMPOUND.
4. LEAD WIRE IS MIL-W-22759/34, 20 AWG.
5. SOLDERED WIRE CONNECTIONS AND JACK TERMINALS ARE FULLY INSULATED WITH PVC HEAT SHRINK SLEEVES.
6. MAINTAIN PART NUMBER WITH DASH AS SHOWN ON BOM, DRAWING AND SHIPPING BAR CODE LABEL.



CUSTOMER: BOEING COMMERCIAL AIRPLANES

CUSTOMER DRAWING

<p>★ STAR SYMBOL DENOTES CRITICAL DIMENSION</p> <p>UNLESS OTHERWISE SPECIFIED</p> <p>1. ALL DIMENSIONS IN INCHES - TWO PLACE DECIMALS ±0.01 - THREE PLACE DECIMALS ±0.005 - ANGLES ±1° - ALL DIA. CONCENTRIC WITHIN 0.005 T.I.R.</p> <p>2. FEATURES ON THE SAME CENTERLINE MUST BE ALIGNED WITHIN ±0.002</p> <p>3. REMOVE ALL BURRS</p> <p>DO NOT SCALE DRAWING</p>					<p>THIS DRAWING DESCRIBES A DESIGN CONSIDERED PROPRIETARY IN NATURE, DEVELOPED AND MANUFACTURED BY SWITCHCRAFT INC. AND IS RELEASED ON A CONFIDENTIAL BASIS FOR IDENTIFICATION PURPOSES ONLY.</p>				
SIZE		WIDTH		MULT		LBS/M		TEMPER	
FINISH SPEC No.					MATERIAL SPEC No.				
FIRST USED ON					SCALE I = 0.375				
DATE DRAWN	BY	CHKD	APVD						
29-Aug-06	TJK	8-29-06	8-29-06	SHEET OF					
NAME			SHIELDED "LITTEL JAX" ASSEMBLY			PART No.		REV	
						2J-1865A		B	