

MATERIALS AND FINISHES:

BODY: PA 10T 30%GF COLOR BLACK

CENTER CONTACT: BRASS
PLATED GOLD
OVER HIGH-PHOS NICKEL
OVER COOPER

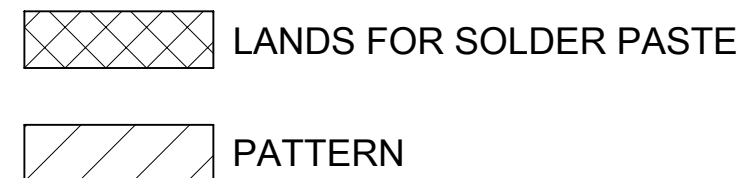
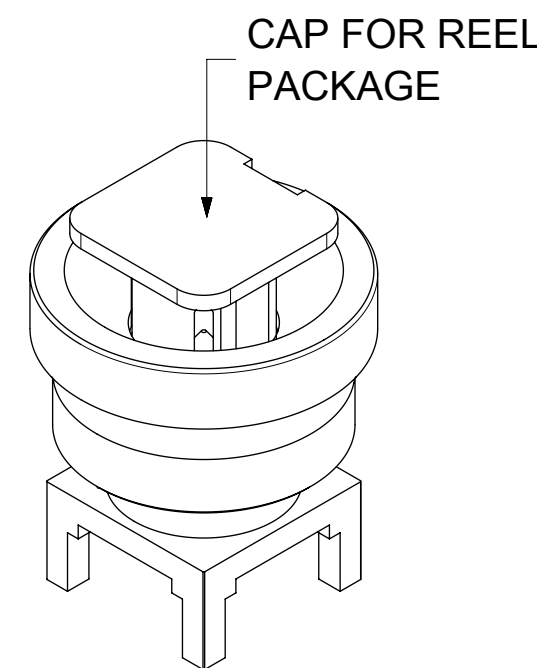
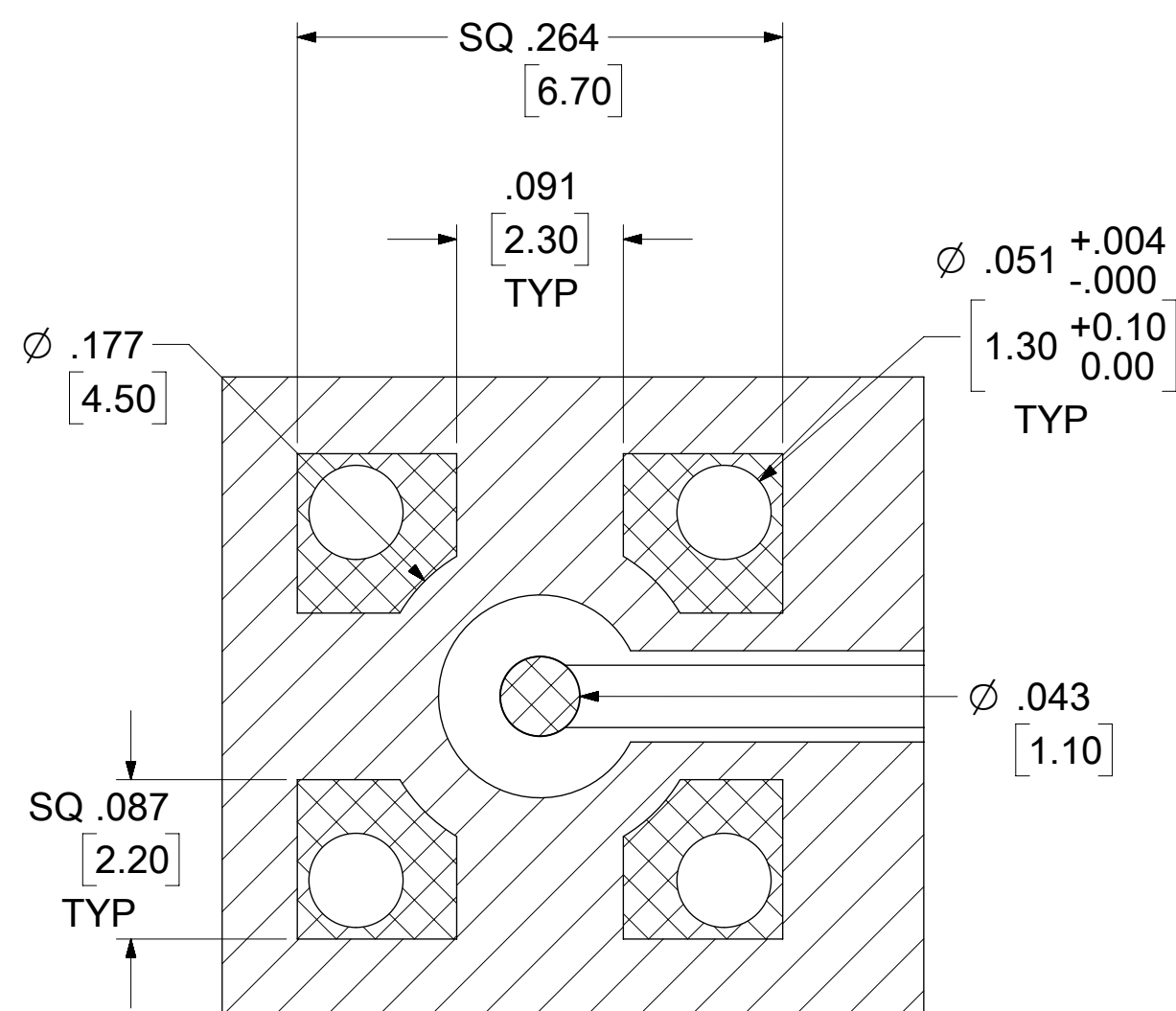
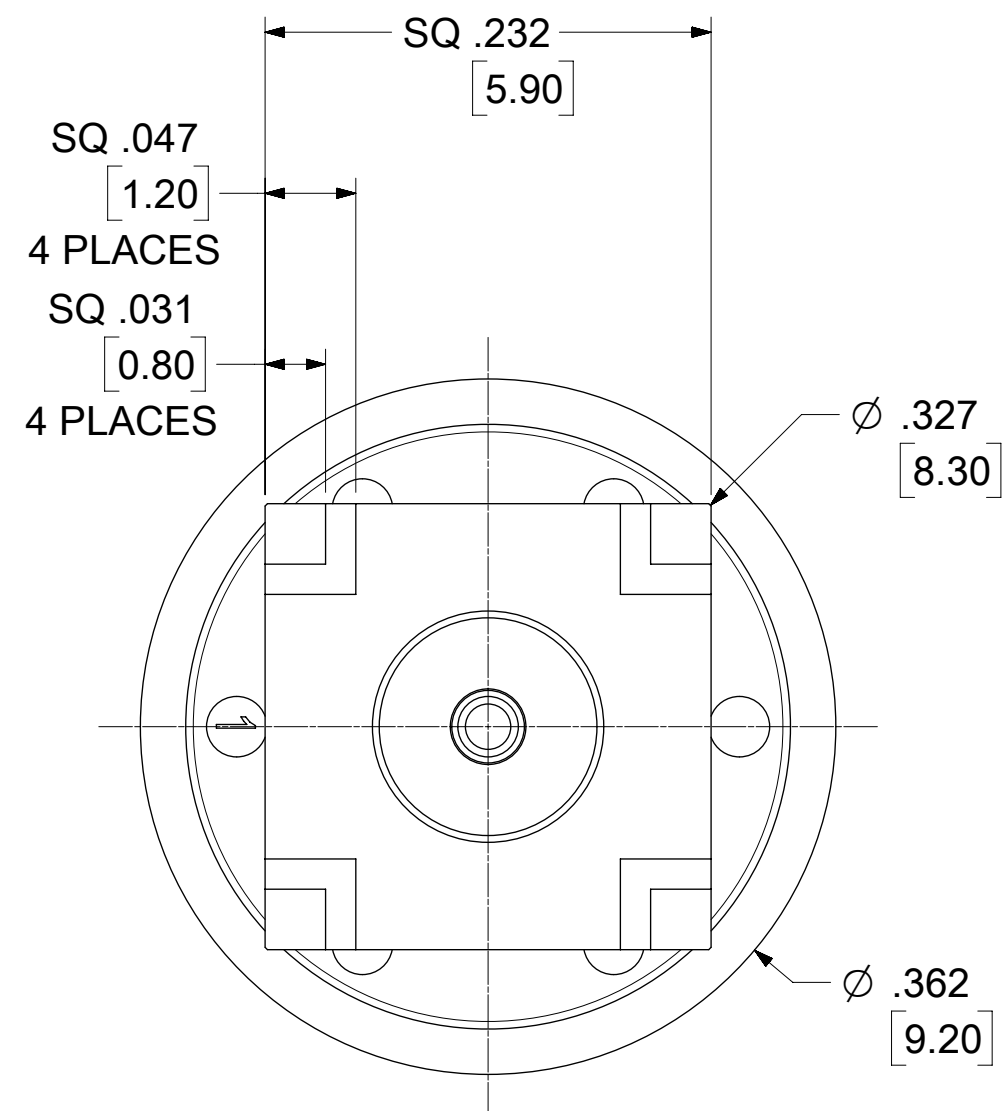
OUTER CONTACT: BRASS
PLATED GOLD
OVER HIGH-PHOS NICKEL
OVER COOPER

INSULATOR: PTFE/LCP/PEEK

CAP: PTFE/LCP

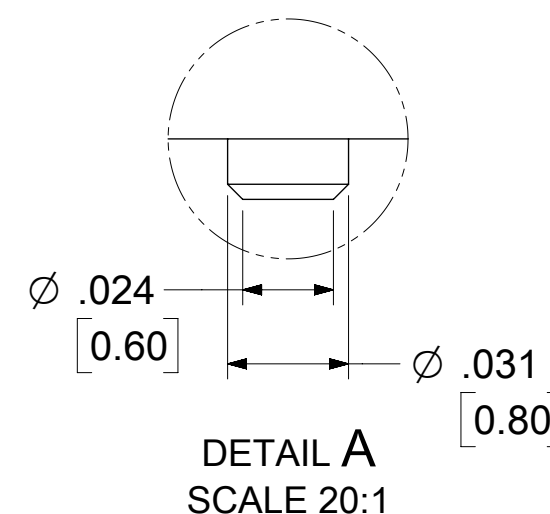
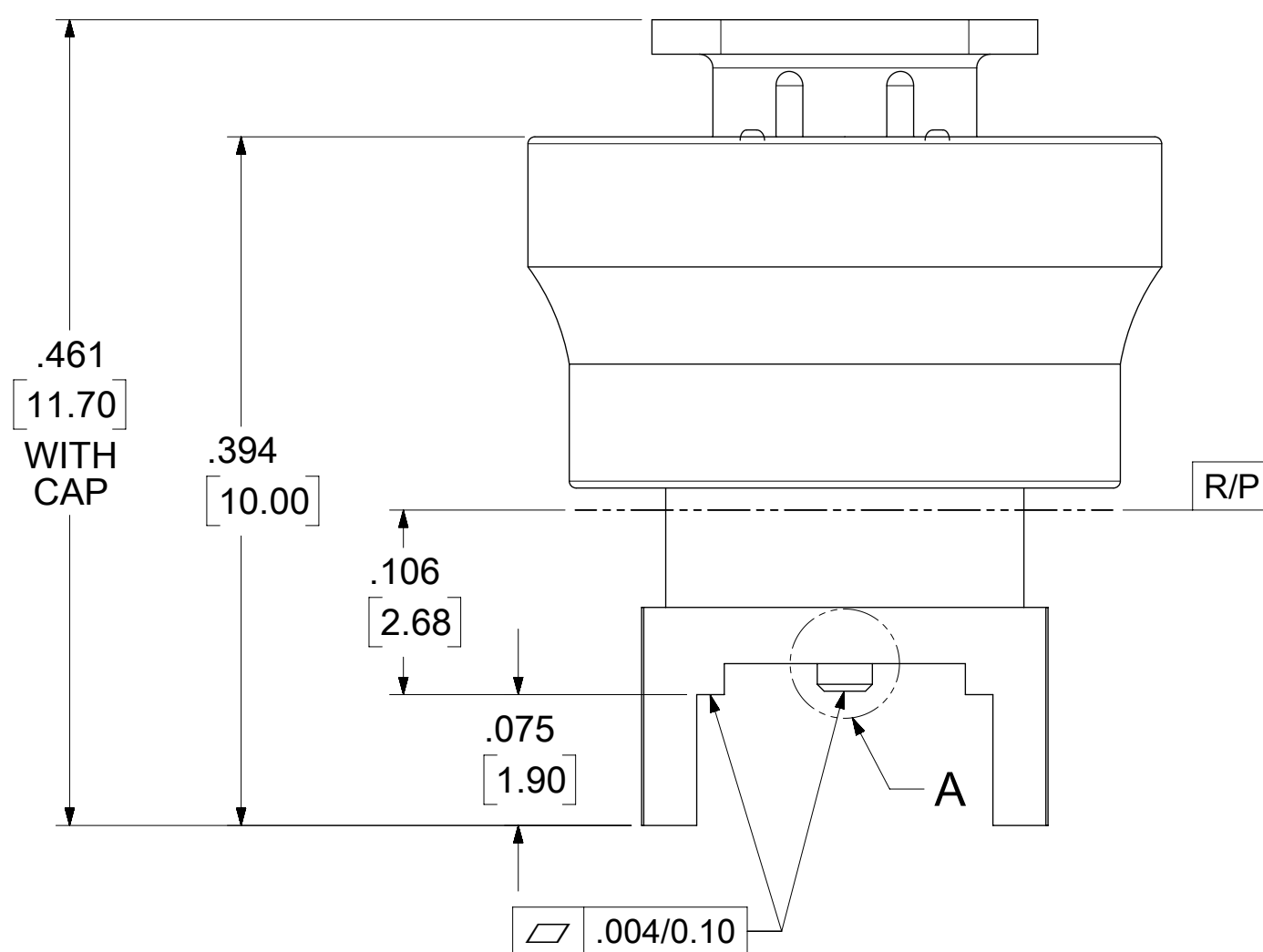
NOTE:

NOMINAL IMPEDANCE: 50Ω
FREQUENCY RANGE: UP TO 6 GHz
VSWR: 1.25 MAX UP TO 3 GHz; 1.35 MAX 3-6 GHz
INSERTION LOSS: 0.15 √F(GHz) dB MAX
COAXIAL TRANSMISSION LINE ONLY
VOLTAGE RATING: 330 Vrms AT SEAL LEVEL
DIELECTRIC WITHSTANDING VOLTAGE: 1000 Vrms
INSULATION RESISTANCE: 5000 MΩ
POWER HANDLING (TYPICAL):
300 W MIN @ 2.7 GHz AT 25°C
200 W MIN @ 2.7 GHz AT 85°C
RADIAL WORKING RANGE: 3°
AXIAL WORKING RANGE: ±1.2 MM



RECOMMENDED PCB LAYOUT

NOTE: DUE TO THE POTENTIAL LARGE VARIATION OF PERFORMANCE DEPENDING ON PCB AND LINE PARAMETERS, WE RECOMMEND THE USER TO PROCESS A RF ANALYSE OF THE CONNECTOR MOUNTED ON HIS PCB.

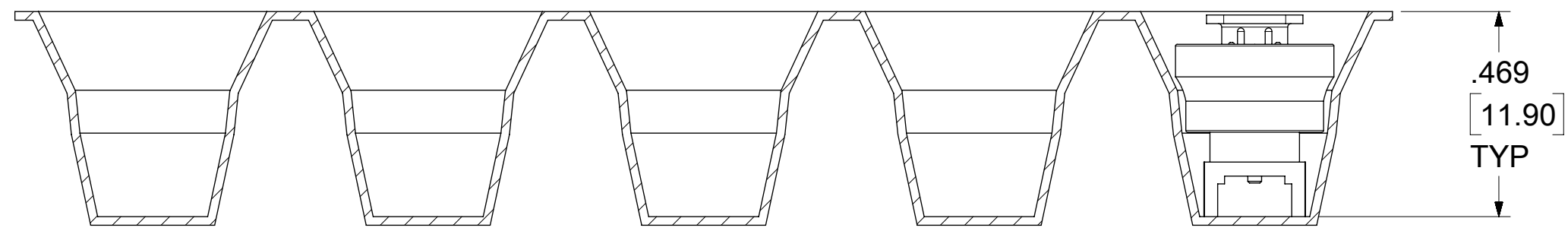
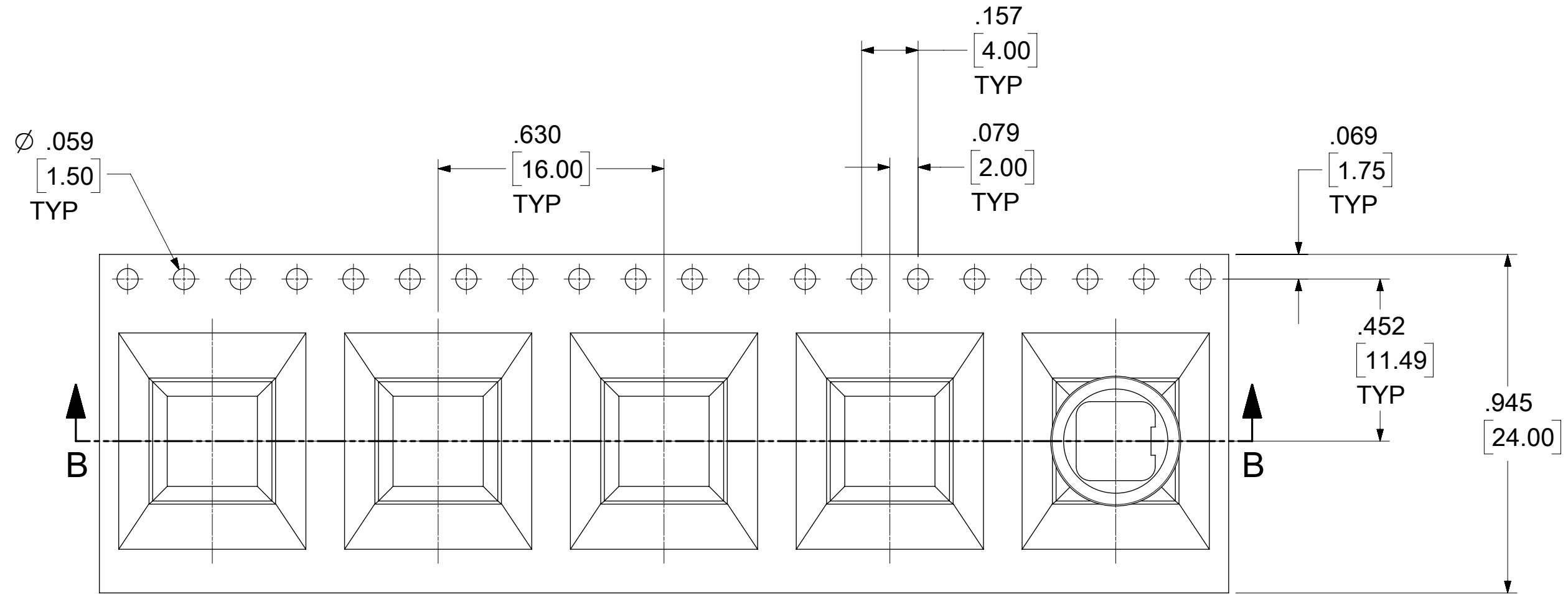


73420-5790	TAPE AND REEL WITH CAP
PART NO.	PACKAGING

A1	2017/10/27	ADD LCP CAP OPTION PER EWR #11511-A
REV	DATE	DESCRIPTION

RELEASE STATUS P1 RELEASE DATE 20.12.2017 02:44:20

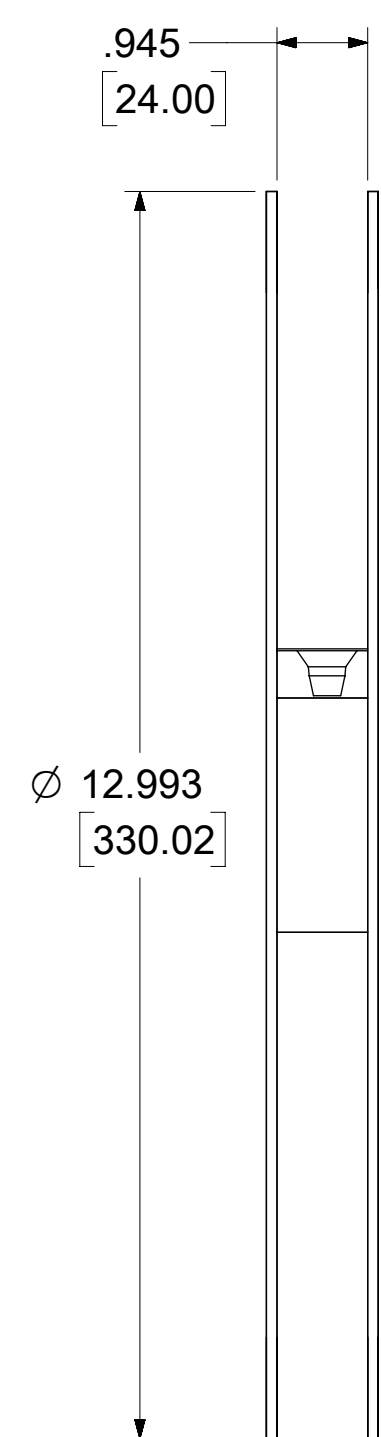
THIS DRAWING CONTAINS INFORMATION THAT IS PROPRIETARY TO MOLEX ELECTRONIC TECHNOLOGIES, LLC AND SHOULD NOT BE USED WITHOUT WRITTEN PERMISSION											
2017/10/27	2017/12/20	GENERAL TOLERANCES (UNLESS SPECIFIED)		DIMENSION UNITS	SCALE						
		ANGULAR TOL ± °		HYBRID	NTS						
EC NO: 167529 DRWN: RYEH CHKD: YCHENG REV APPR: YCHENG	A1	4 PLACES	±	DRWN BY	DATE	SMP-MAX EVO P STR SLIDE TYPE PCB TH/SMT SMPMAX-P/PCB PRODUCT CUSTOMER DRAWING SERIES MATERIAL NUMBER CUSTOMER 73420 SEE TABLE DOCUMENT NUMBER 734205790 DOC TYPE PSD DOC PART 000 SHEET NUMBER 1 OF 3					
		3 PLACES	±	RYEH	2016/09/23						
		2 PLACES	±	CHKD BY	DATE						
		1 PLACE	±	APPR BY	DATE						
		0 PLACES	±	YCHENG	2017/01/09						
DRAFT WHERE APPLICABLE MUST REMAIN WITHIN DIMENSIONS		DRAWING SIZE	THIRD ANGLE PROJECTION	C							



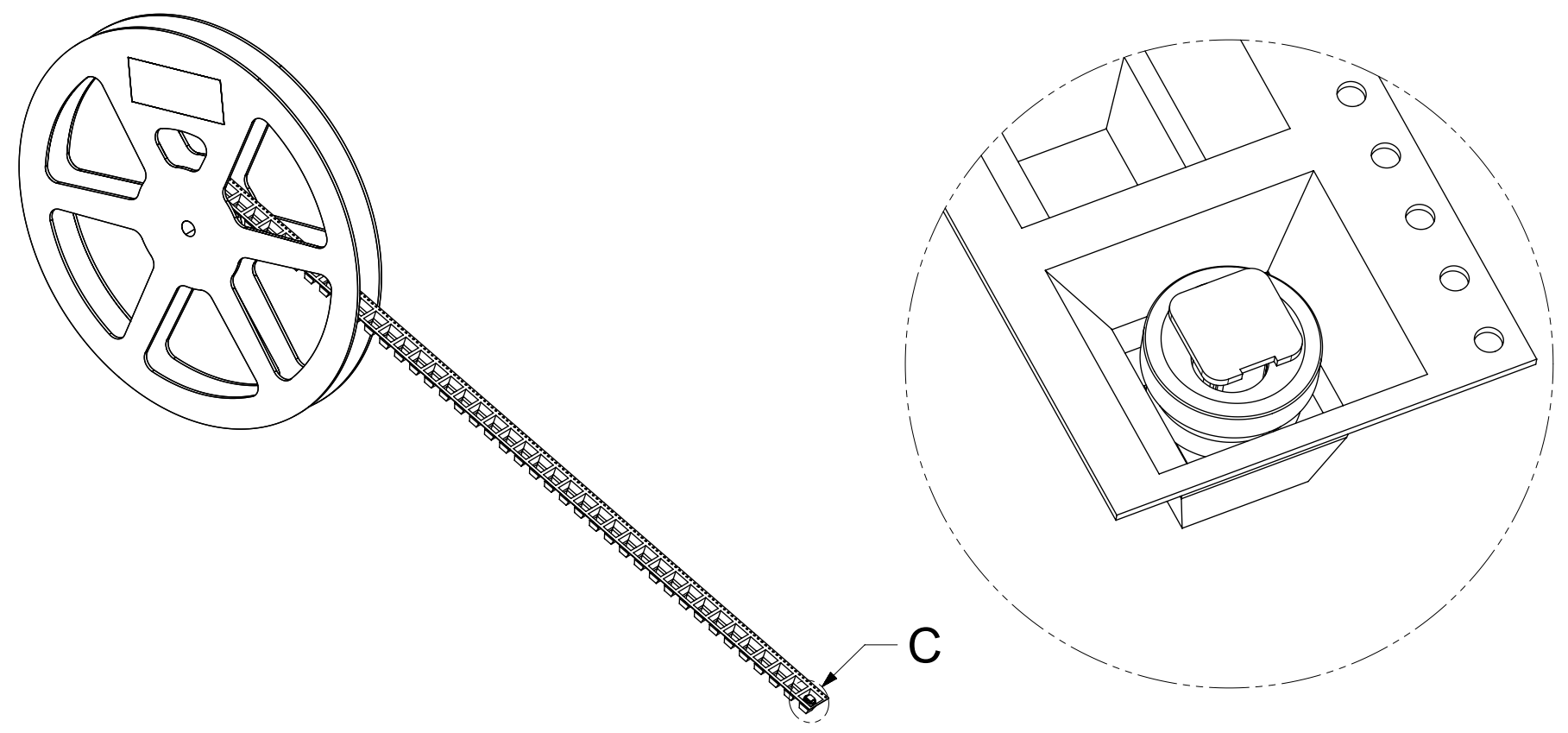
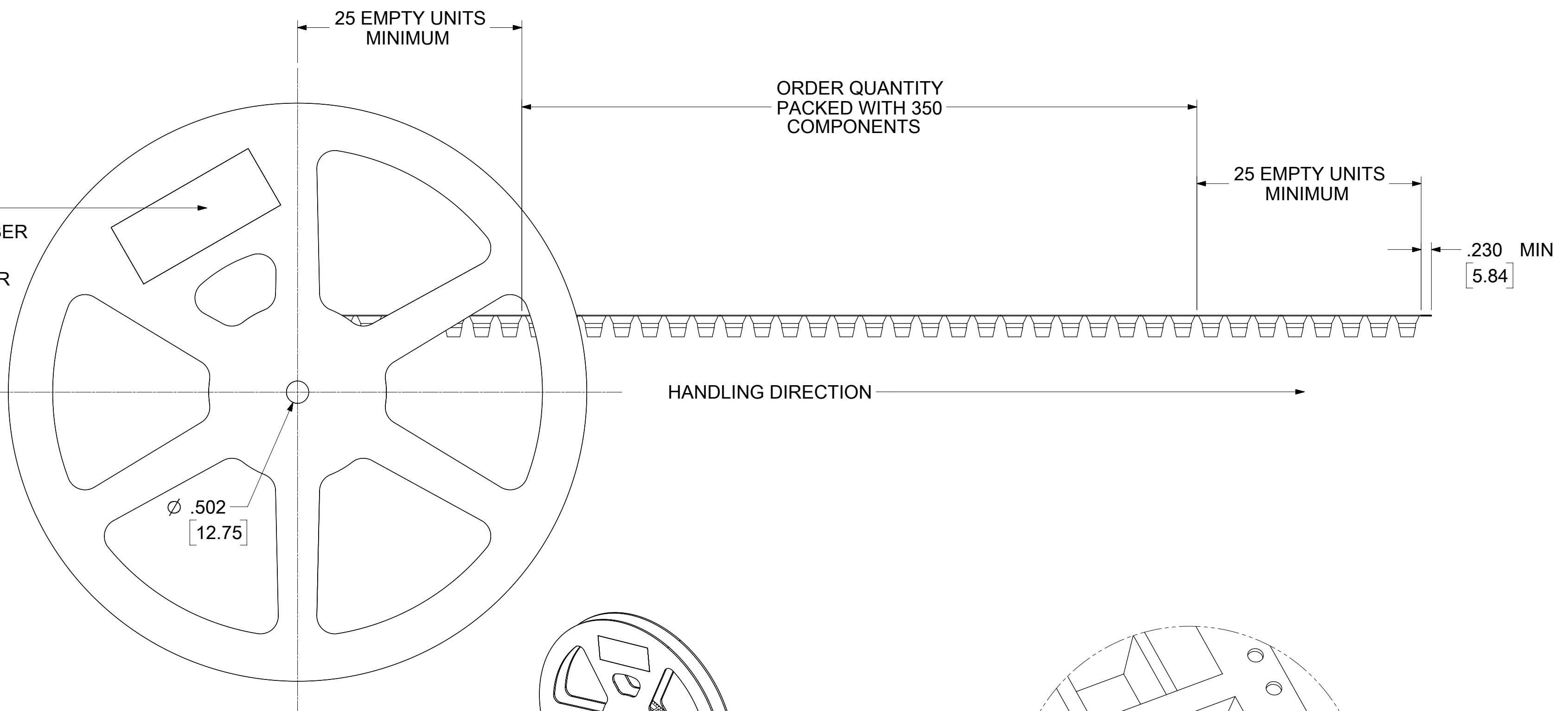
SECTION B-B

THIS DRAWING CONTAINS INFORMATION THAT IS PROPRIETARY TO MOLEX ELECTRONIC TECHNOLOGIES, LLC AND SHOULD NOT BE USED WITHOUT WRITTEN PERMISSION

EC NO: 167529 DRWN: RYEH CHKD: YCHENG REV: APPR: YCHENG	2017/10/27	2017/12/20	GENERAL TOLERANCES (UNLESS SPECIFIED)	DIMENSION UNITS	SCALE	
			ANGULAR TOL ± °	HYBRID	NTS	
			4 PLACES ±	DRWN BY	DATE	SMP-MAX EVO P STR SLIDE TYPE PCB TH/SMT SMPMAX-P/PCB
			3 PLACES ±	RYEH	2016/09/23	
			2 PLACES ±	CHKD BY	DATE	PRODUCT CUSTOMER DRAWING
			1 PLACE ±	APPR BY	DATE	
			0 PLACES ±	YCHENG	2017/01/09	SERIES
			DRAFT WHERE APPLICABLE MUST REMAIN WITHIN DIMENSIONS	DRAWING SIZE	THIRD ANGLE PROJECTION	MATERIAL NUMBER
A1				C		CUSTOMER
						73420
						SEE TABLE
						DOCUMENT NUMBER
						734205790
						DOC TYPE
						PSD
						DOC PART
						000
						SHEET NUMBER
						2 OF 3



LABEL:
 -ORDER NUMBER
 -QUANTITY
 -PART NUMBER
 -LOT NUMBER



DETAIL C
 SCALE 3:1

THIS DRAWING CONTAINS INFORMATION THAT IS PROPRIETARY TO MOLEX ELECTRONIC TECHNOLOGIES, LLC AND SHOULD NOT BE USED WITHOUT WRITTEN PERMISSION												
EC NO: 167529 DRWN: RYEH CHKD: YCHENG REV: APPR: YCHENG	2017/10/27	2017/12/20	GENERAL TOLERANCES (UNLESS SPECIFIED)			DIMENSION UNITS	SCALE					
			ANGULAR TOL ± °			HYBRID	NTS					
4 PLACES ±			DRWN BY		DATE		SMP-MAX EVO P STR SLIDE TYPE PCB TH/SMT SMPMAX-P/PCB					
3 PLACES ±			RYEH		2016/09/23							
2 PLACES ±			CHKD BY		DATE		PRODUCT CUSTOMER DRAWING					
1 PLACE ±			YCHENG		2017/01/09							
0 PLACES ±			APPR BY		DATE		SERIES	MATERIAL NUMBER	CUSTOMER			
DRAFT WHERE APPLICABLE MUST REMAIN WITHIN DIMENSIONS			DRAWING SIZE		THIRD ANGLE PROJECTION		73420	SEE TABLE				
A1	C		DOCUMENT NUMBER		DOC TYPE		DOC PART	SHEET NUMBER				
			734205790		PSD		000	3 OF 3				