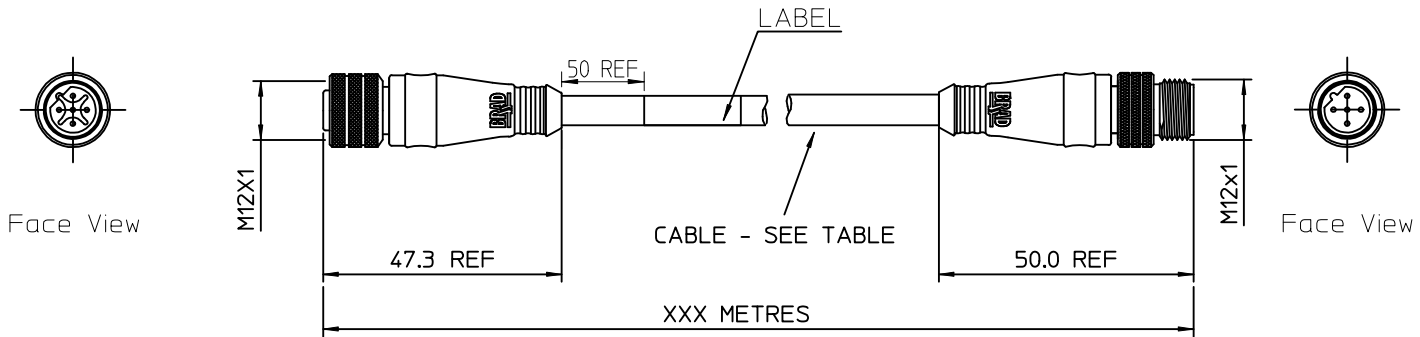
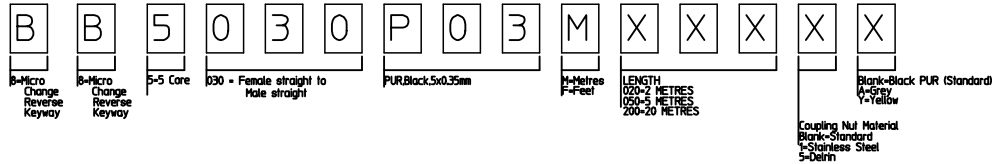


Table of length tolerances		
Over	Up to and including	Tolerance
0	305	+19
305	915	+45
915	1830	+56
1830	3660	+89
3660	7320	+165
7320	14640	+317
14640	30500	+610
30500	>	+2% of length

CHART 1		
MOLEX PN	ENGINEERING PN	L(mm)
1200988066	BB5030P03M003	300
1200988067	BB5030P03M005	500
1200988063	BB5030P03M006	600
1200988062	BB5030P03M007	700
1200988068	BB5030P03M008	800
1200980042	BB5030P03M010	1000
1200988031	BB5030P03M020	2000
1200988059	BB5030P03M030	3000
1200988060	BB5030P03M040	4000
1200988032	BB5030P03M050	5000
1200988061	BB5030P03M060	6000
1200988069	BB5030P03M070	7000
1200988070	BB5030P03M080	8000

PART No MATRIX



Specification.

- Insert Material - PUR (30% Glass Filled)
- Contact Material - Brass (CuZn36)
- Contact Plating - 2um Ni, 0.70um Gold
- Coupling Nuts - See Table
- Seal - Viton O-Ring
- Protection Class - IP68
- Voltage Rating - 300V
- Contact Current Rating - 4 Amps
- Overmoulding - PUR
- Cable,PUR,Black,5 x 0.34mm

ORIGINAL RELEASE EC NO: IPG2014-1452 DRWN:FGAIK 2014/02/12 CHKD:MSZWAJKOWSKI 2014/02/12 APPR:MIWASIECZKO 2014/02/13	QUALITY SYMBOLS ▽=0 ∇=0	GENERAL TOLERANCES (UNLESS SPECIFIED)		DIMENSION STYLE MM ONLY		SCALE ---	DESIGN UNITS METRIC	THIRD ANGLE PROJECTION		
		mm	INCH	DRAWN BY FGAIK	DATE 2014/02/12	TITLE MMC-5P-AC(E)-F/MM-ST/ST-XM-PUR				
		4 PLACES ± --- ± ---	3 PLACES ± --- ± ---	CHECKED BY MSZWAJKOWSKI	DATE 2014/02/12	molex SD-120098-044				
		2 PLACES ± 0.05 ± ---	1 PLACE ± 0.3 ± ---	APPROVED BY MIWASIECZKO	DATE 2014/02/13					
0 PLACE ± 0.5 ± ---	ANGULAR ± 1 °		MATERIAL NO. SEE CHART 1		SHEET NO. 1 OF 1		THIS DRAWING CONTAINS INFORMATION THAT IS PROPRIETARY TO MOLEX INCORPORATED AND SHOULD NOT BE USED WITHOUT WRITTEN PERMISSION			
DRAFT WHERE APPLICABLE MUST REMAIN WITHIN DIMENSIONS		SIZE A3								