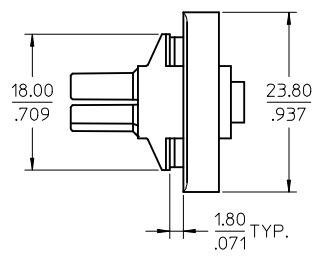
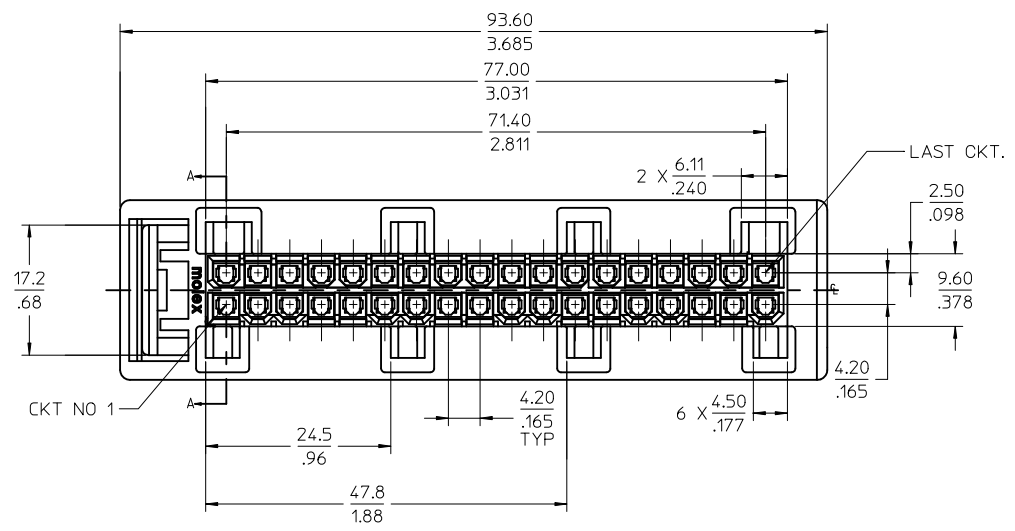
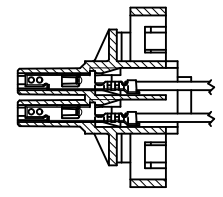


CKT. SIZE	TOOLING
36	TOOLED

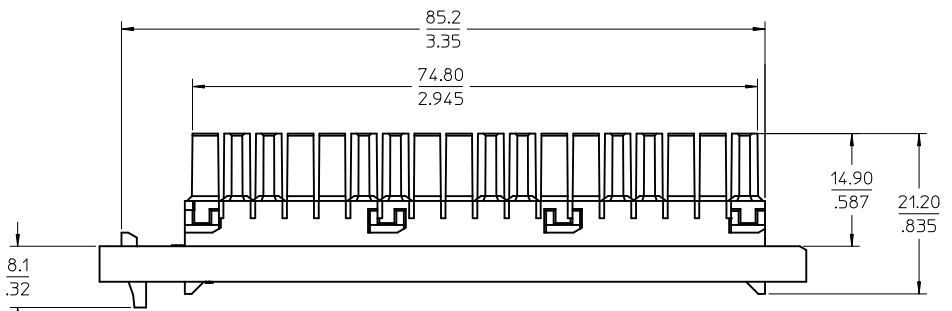


NOTES:

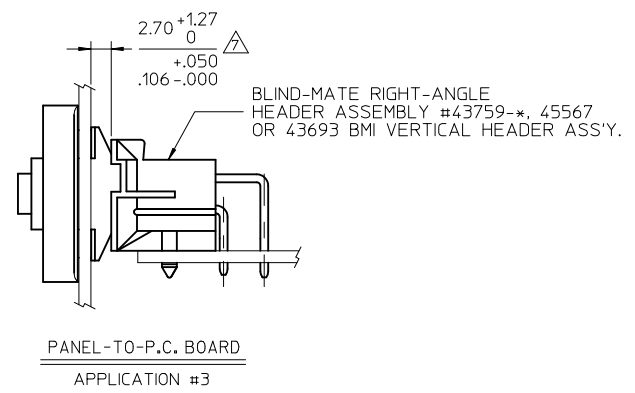
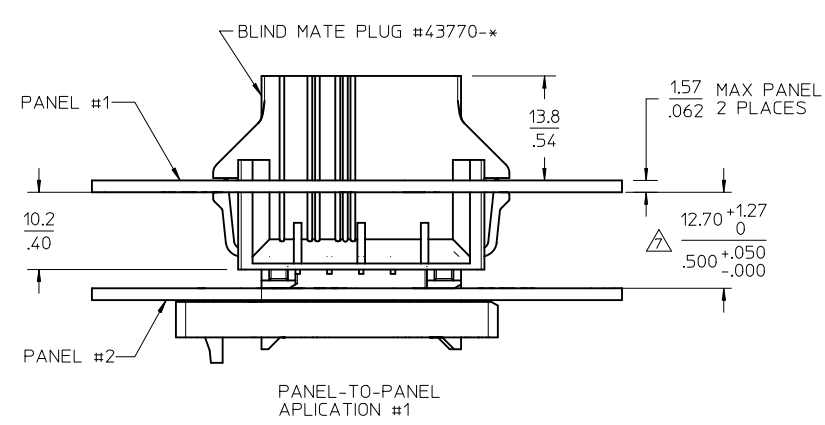
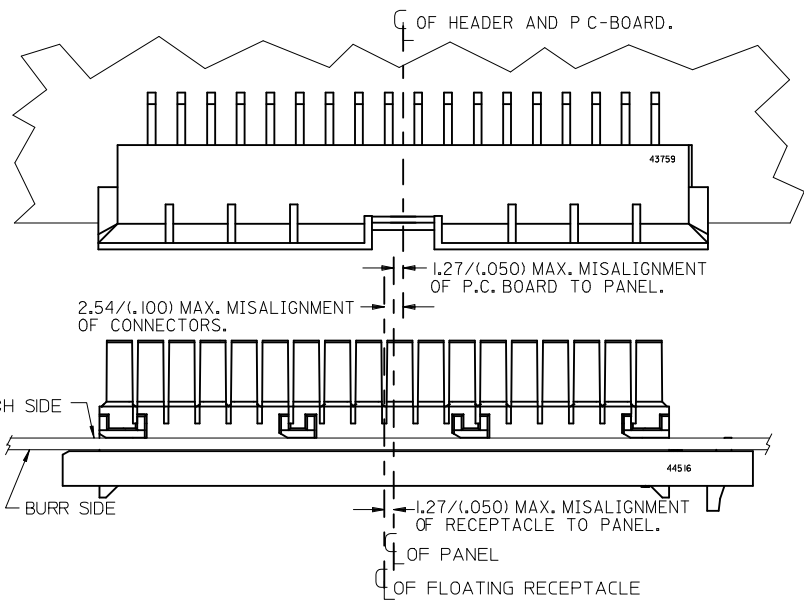
1. MATERIAL:
PBT, UNFILLED BLACK, V-0.
2. FINISH: NOT APPLICABLE
3. PRODUCT SPECIFICATION: PS-44516-001
4. PACKAGING SPECIFICATION: PK-44516-003
5. PART MATES WITH MINI-FIT B.M.I. HEADER #43759 45567 OR 43693, OR PLUG 43770.
6. PART TO BE USED WITH MOLEX FEMALE TERMINAL *5556, 44476 OR 45750.
7. Δ A MAXIMUM TOLERANCE OF 1.27/(.050) ALLOWS FOR 2 POINTS OF ELECTRICAL CONTACT. A MAXIMUM TOLERANCE OF .51/(.020) ALLOWS FOR 4 POINTS OF CONTACT.
8. CONNECTOR ASSEMBLIES ARE NOT TO BE MATED OR UNMATED WHILE CIRCUITS ARE LIVE.
9. Δ PANEL SHOULD BE PUNCHED IN THE DIRECTION OPPOSITE OF CONNECTOR INSERTION.
10. THIS PART IS NOT INTENDED TO PROVIDE ANY ALIGNMENT OF CUSTOMER COMPONENTS OR MODULES, SUCH AS POWER SUPPLIES AND CHASSIS.
11. PANEL CUT-OUT DIMENSIONS HAVE A TOLERANCE OF $\pm 0.076/(.003)$.
12. IT IS THE RESPONSIBILITY OF THE CUSTOMER TO ENSURE THAT THE PANEL TO WHICH THE RECEPTACLE IS TO BE MOUNTED, IS SUFFICIENTLY SUPPORTED SO THAT FLEXING OF THE PANEL DURING MATING DOES NOT PREVENT THE CONNECTOR SYSTEM FROM BEING FULLY MATED.
13. IT IS RECOMMENDED THAT THE CABLES EXITING THE RECEPTACLE BE DRESSED IN A MANNER THAT WILL ALLOW THE RECEPTACLE TO FLOAT FREELY WHEN MOUNTED IN IT'S RESPECTIVE PANEL.
14. THIS PART IS NOT INTENDED TO ACT AS A HARD STOP FOR CUSTOMER COMPONENTS.
15. WIRES TO BE DRESSED IN SUCH A MANNER TO ALLOW THE TERMINALS TO FLOAT FREELY IN THE POCKET.
16. PART CONFORMS TO CLASS 'B' REQUIREMENTS OF COSMETIC SPECIFICATION PS-45499-002
17. THIS CONNECTOR ALLOWS FOR 1.27/(.050) MAX. MISALIGNMENT IN ANY DIRECTION.



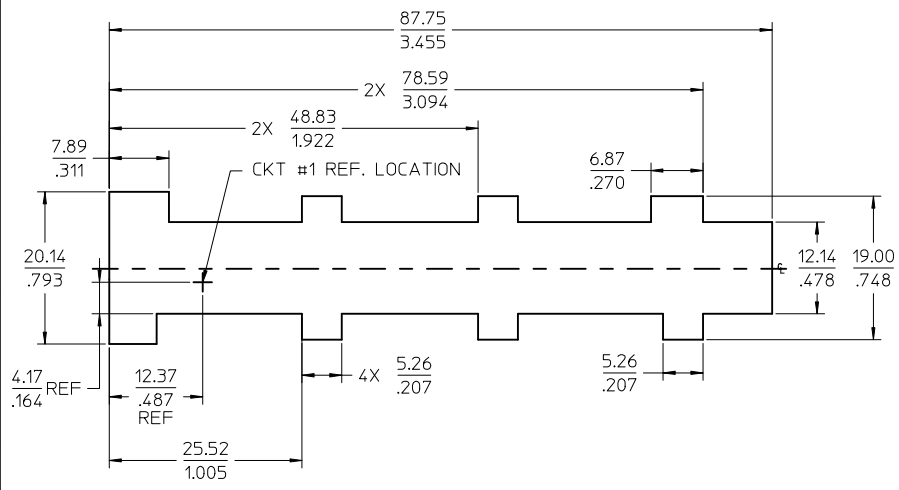
SECTION "A-A"
TERMINAL ORIENTATION



ADD MATING VIEW EC NO: UCP2012-2787 DRW: NGUYEN CHKD: BELL APPR: FSMITH 2012/02/24 2012/02/24 2012/05/04	QUALITY SYMBOLS ▽=0 ▽=0 ▽=0	GENERAL TOLERANCES (UNLESS SPECIFIED)		DIMENSION STYLE MM/IN		SCALE 2:1	DESIGN UNITS METRIC	THIRD ANGLE PROJECTION		
		4 PLACES ± .010		DRAWN BY HRIBAR		DATE 01/06/07	PANEL-MOUNT RECEPTACLE 36 CIRCUIT BLIND MATE MINI-FIT SLIDE 'N' LOCK MOLEX INCORPORATED			
		3 PLACES ± .010		CHECKED BY BANDURA		DATE 01/06/07				
		2 PLACES ± 0.25		APPROVED BY FSMITH		DATE 2012/05/04	MATERIAL NO. 445160013	DOCUMENT NO. SD-44516-006	SHEET NO. 1 OF 2	
1 PLACE ± 0.35		ANGULAR ± 1/2°		DRAFT WHERE APPLICABLE MUST REMAIN WITHIN DIMENSIONS		THIS DRAWING CONTAINS INFORMATION THAT IS PROPRIETARY TO MOLEX INCORPORATED AND SHOULD NOT BE USED WITHOUT WRITTEN PERMISSION				



ALIGNMENT TOLERANCES FOR 1.27/(.050) MAX. BOARD-TO-PANEL MISALIGNMENT
 (±1.27/(.050) RECEPTACLE FLOAT)



RECOMMENDED PANEL CUT-OUT FOR 1.57/1.19(.062/.047) MAX./MIN. THICK PANEL
 SHOWN FROM MATING SIDE
 (SEE NOTE 9 & 11)

SEE SHEET 1 EC NO: UCP2012-2787 DRAWN: NGUYEN 2012/02/24 CHKD: BELLE 2012/02/24 APPR: FSMITH 2012/05/04	QUALITY SYMBOLS ▽=0 ▽=0 ▽=0	GENERAL TOLERANCES (UNLESS SPECIFIED)		DIMENSION STYLE MM/IN	SCALE 2:1	DESIGN UNITS METRIC	THIRD ANGLE PROJECTION	
		4 PLACES ± --- ± ---	3 PLACES ± --- ± .010	2 PLACES ± 0.25 ± .014	1 PLACE ± 0.35 ± ---	ANGULAR ± 1/2°	DRAWN BY: HRIBAR DATE: 01/06/07 CHECKED BY: BANDURA DATE: 01/06/07 APPROVED BY: FSMITH DATE: 2012/05/04	
DRAFT WHERE APPLICABLE MUST REMAIN WITHIN DIMENSIONS		SEE SHEET 1		MATERIAL NO. SD-44516-006			TITLE PANEL-MOUNT RECEPTACLE 36 CIRCUIT BLIND MATE MINI-FIT SLIDE 'N' LOCK	
C2		SIZE C		MATERIAL NO. SD-44516-006			SHEET NO. 2 OF 2	
THIS DRAWING CONTAINS INFORMATION THAT IS PROPRIETARY TO MOLEX INCORPORATED AND SHOULD NOT BE USED WITHOUT WRITTEN PERMISSION								