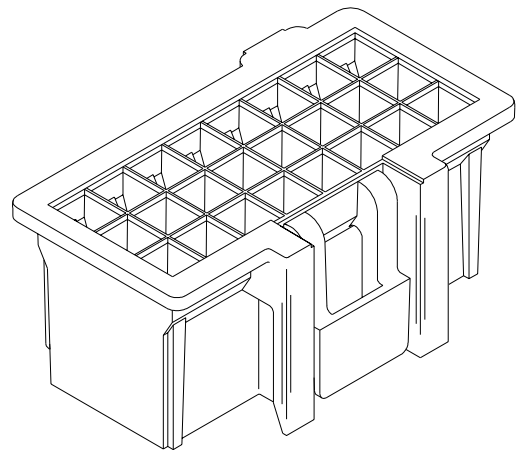
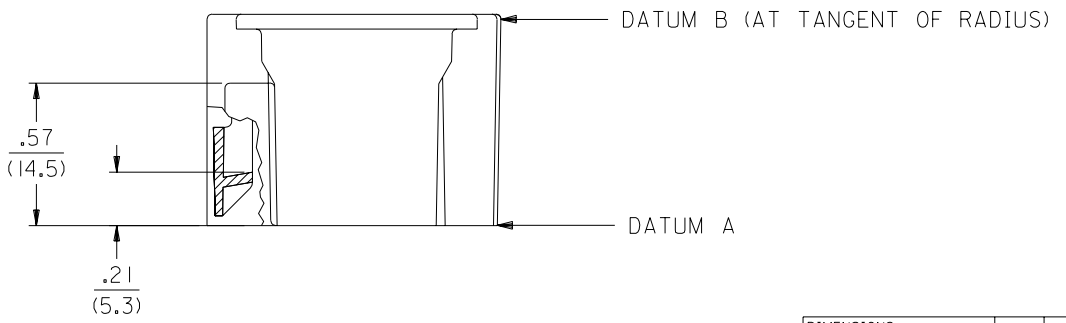
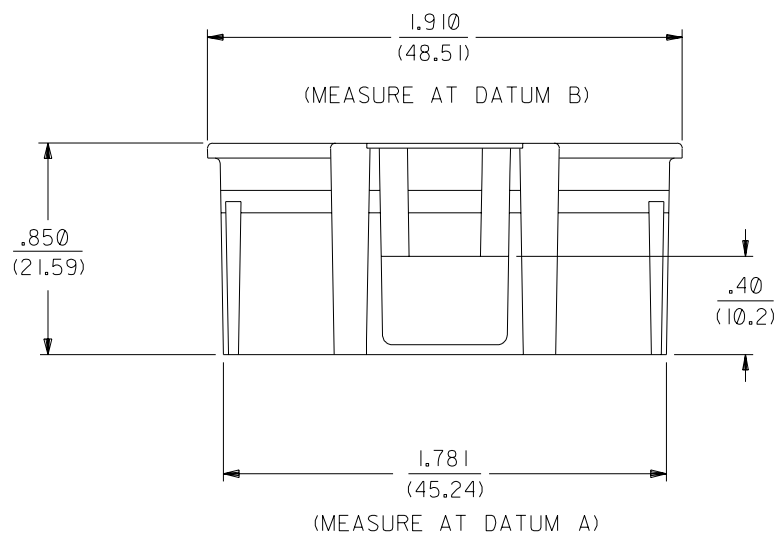


NOTES:

1. MATERIAL: 6/6 NYLON, UL94V-2, COLOR: BLACK
2. FINISH: NOT APPLICABLE
3. PRODUCT SPECIFICATION: PSX-4444I-9999
4. ALL DIMENSIONS ARE FOR REFERENCE ONLY.
5. SEE AS-43796-001 FOR THE DESCRIPTION OF THE MATING INTERFACE.
6. USE TERMINALS: 43375-*



43796-5024



EC NO. UCR2002-0645 DRWN: WIRKUS 03/05/02 CHK: WIRKUS 03/05/02 APPR: FRY 03/05/02	QUALITY SYMBOLS MAJOR $\nabla = 0$ CRITICAL $\nabla C = 0$	GENERAL TOLERANCES: (UNLESS SPECIFIED)		SCALE 2 : 1	DESIGN UNITS <input type="checkbox"/> mm <input checked="" type="checkbox"/> INCH	DIMENSIONS: <input type="checkbox"/> mm <input checked="" type="checkbox"/> INCH <input type="checkbox"/> mm ONLY	SHT REV
		4 PLACES $\pm 0.---$ $\pm.---$ 3 PLACES $\pm 0.---$ $\pm.---$ 2 PLACES $\pm 0.---$ $\pm.---$ 1 PLACE $\pm 0.---$ $\pm.---$	ANGLAR: $\pm 1/2^\circ$	DRAWN BY & DATE MARANTO 09/11/96	CHECKED BY & DATE PELOZA 09/11/96	APPROVED BY & DATE FRY 09/11/96	CAD FILENAME
DRAFT WHERE APPLICABLE MUST REMAIN WITHIN DIMENSIONS	THIS DRAWING CONTAINS INFORMATION THAT IS PROPRIETARY TO MOLEX INCORPORATED AND SHOULD NOT BE USED WITHOUT WRITTEN PERMISSION.		MOLEX INCORPORATED		MATERIAL NO. 43796-5024	DRAWING NO. SD-43796-001	SHEET NO. 1 OF 1