

DWG. NO. SD-54393-016

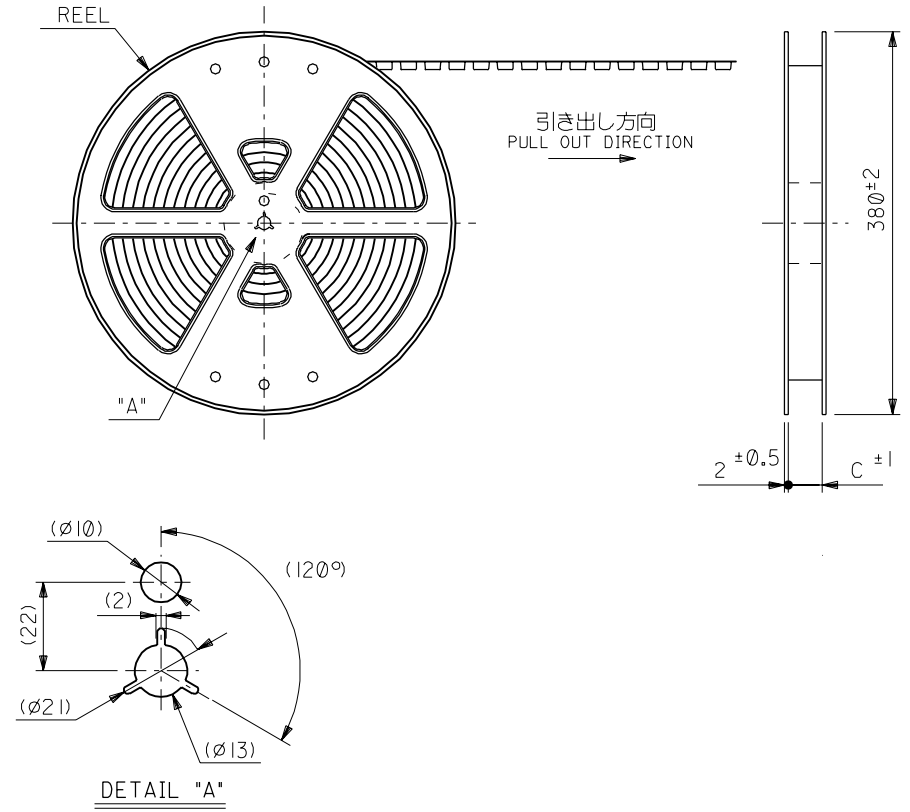
F

D

C

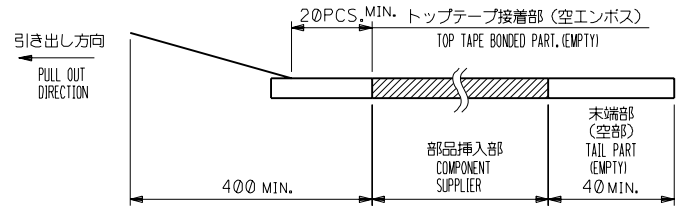
B

DO NOT SCALE DRAWING

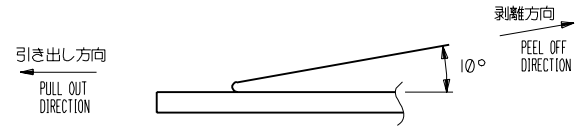


注記 NOTES

- 製品詳細寸法については、図面SD-54393-020を参照下さい。  
RE DETAILED DIMENSION, SEE SD-54393-020.
- 梱包数量：2000個/リール  
NUMBER OF CONNECTORS：2000PCS/REEL
- リードテープ長さ LEAD TAPE LENGTH



- トップテープの剥離強度：0.1N~0.7N (10.2gf~71.4gf)  
(剥離方向は下図参照)  
尚、本規格値は出荷時に適用。(但し、輸送時に剥離が発生しないこと。)  
PEELING OFF FORCE OF TOP TAPE：0.1N ~ 0.7N(10.2gf ~ 71.4gf)  
(PEELING DIRECTION AS SHOWN IN FOLLOWING FIG.)  
THIS REQUIREMENT SHOULD BE APPLIED AT SHIPMENT.  
PEEL OFF SHOULD NOT BE ALLOWED, DURING TRANSPORTATION.

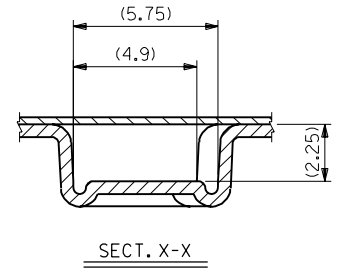
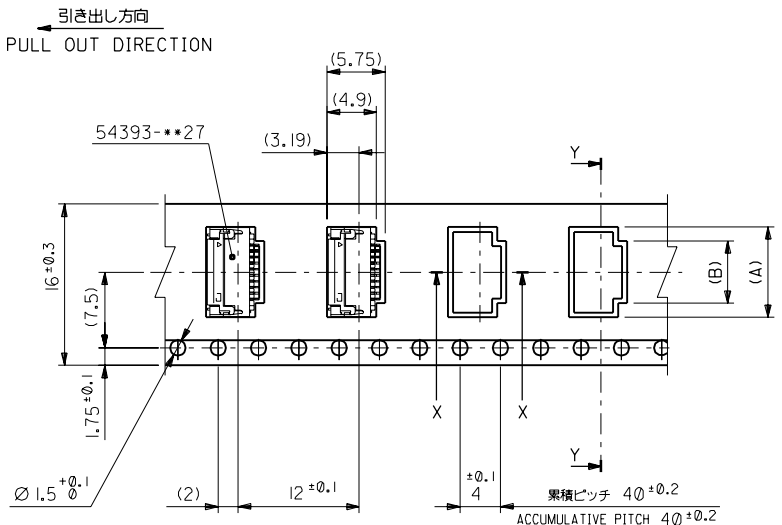
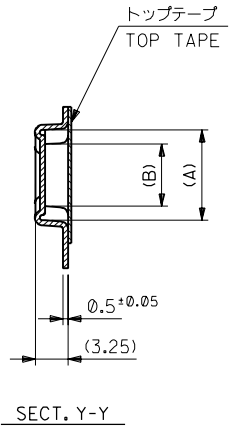


- 材料 (MATERIAL)  
キャリアテープ (CARRIER TAPE)：ポリプロピレン (POLYPROPYLENE)  
トップテープ (TOP TAPE)：PET, PE, PEF  
リール (REEL)：ポリスチレン (PS) <リサイクル材を含む>  
POLYSTYREN (PS) <RECYCLE MATERIAL CONTAINED>

EC NO. DRAWN: CHK'g APPR:	REVISED '01/7/20 EC NO. J2002-0041 DRWN:M.HAYASHI CHK'g S.KUNISHI APPR:T.YAMAGUCHI	REVISED EC NO. JC2001-0161 DRWN:N.YANO '00/9/23 CHK'g S.KUNISHI APPR:M.FUKUSHIMA 9/23	REVISED EC NO. JC2000-0595 DRWN:Y.MIZUNO '00/3/13 CHK'g S.KUNISHI APPR:M.FUKUSHIMA 3/13	RELEASED EC NO. JC90603 DRWN:Y.MIZUNO '99/3/23 CHK'g S.KUNISHI APPR:M.FUKUSHIMA 3/23	MATERIAL 材料 注記参照 SEE NOTES	GENERAL TOLERANCES: (UNLESS SPECIFIED) 一般公差	SCALE --//	DESIGN UNITS <input checked="" type="checkbox"/> mm <input type="checkbox"/> INCH	THIRD ANGLE PROJECTION <input checked="" type="checkbox"/> mm ONLY	DIMENSIONS: <input type="checkbox"/> mm <input type="checkbox"/> INCH	SHT REVISE ON CAD ONLY	REV
C	B	A	0		FINISH 仕上げ //	10 UNDER 未満 ±0.2	DRAWN BY & DATE Y.MIZUNO '99/3/23	TITLE: 0.3 FPC Conn (Easy on) Hsg Assy Embstp Pkg				
					WIRE RANGE 適用線径範囲 //	10 OVER 30 UNDER 未満 ±0.25	CHECKED BY & DATE S.KUNISHI '01/7/20	MOLEX MOLEX INCORPORATED				
					INS. RANGE 被覆外径 //	30 OVER 以上 ±0.3	APPROVED BY & DATE T.YAMAGUCHI '01/7/20	MATERIAL NO. SEE CHART	DRAWING NO. SD-54393-016	SHEET NO. 1 OF 4	SIZE B	
8	7	6	5	4	3	2	THIS DRAWING CONTAINS INFORMATION THAT IS PROPRIETARY TO MOLEX INCORPORATED AND SHOULD NOT BE USED WITHOUT WRITTEN PERMISSION.					EN-02J(097) MXJ-54

F  
E  
D  
C  
B  
A

DWG. NO. SD-54393-016



16mm幅キャリアテープ  
16mm WIDTH CARRIER TAPE

DO NOT SCALE DRAWING

EC NO. DRWN: CHK: APPR:	EC NO. DRWN: CHK: APPR:	EC NO. DRWN: CHK: APPR:	REVISED '01/7/20 EC NO. J2002-0041 DRWN:M.HAYASHI CHK: S.KUNISHI APPR:T.YAMAGUCHI	REVISED EC NO. JC2001-0161 DRWN:N.YANO '00/9/29 CHK: S.KUNISHI APPR:M.FUKUSHIMA 9/29	DESCRIPTION MATERIAL 材料 FINISH 仕上げ WIRE RANGE 適用線径範囲 INS. RANGE 被覆外径	注記参照 SEE NOTES // // //
----------------------------------	----------------------------------	----------------------------------	---	--	--	-------------------------------------

GENERAL TOLERANCES: (UNLESS SPECIFIED) 一般公差	SCALE //	DESIGN UNITS <input checked="" type="checkbox"/> mm <input type="checkbox"/> INCH	MODEL NO. 54393-***92	DIMENSIONS: <input type="checkbox"/> mm <input type="checkbox"/> INCH <input checked="" type="checkbox"/> mm ONLY	SHT 17	REV REVISIONS ON CAD ONLY
10 UNDER 未満 30 UNDER 未満	±0.2		DRAWN BY & DATE N.YANO '00/9/29	THIRD ANGLE PROJECTION		
10 OVER 以上 30 OVER 以上	±0.25 ±0.3		CHECKED BY & DATE S.KUNISHI '01/7/20			
ANGLE 角度	±3°		APPROVED BY & DATE T.YAMAGUCHI '01/7/20			
			CAD FILENAME 54393016.S02			

16 キャリアテープ幅 CARRIER TAPE WIDTH	17.5 C	5.0 B	7.8 A	54393-1792 MATERIAL NO.	17 極致 CKT.
TITLE: 0.3 FPC Conn (Easy on) Hsg Assy Embstp Pkg					
MOLEX INCORPORATED					
MATERIAL NO. SEE CHART		DRAWING NO. SD-54393-016		SHEET NO. 2 OF 4	
THIS DRAWING CONTAINS INFORMATION THAT IS PROPRIETARY TO MOLEX INCORPORATED AND SHOULD NOT BE USED WITHOUT WRITTEN PERMISSION.					
					SIZE B

54393016.S02

DWG. NO. SD-54393-016

F

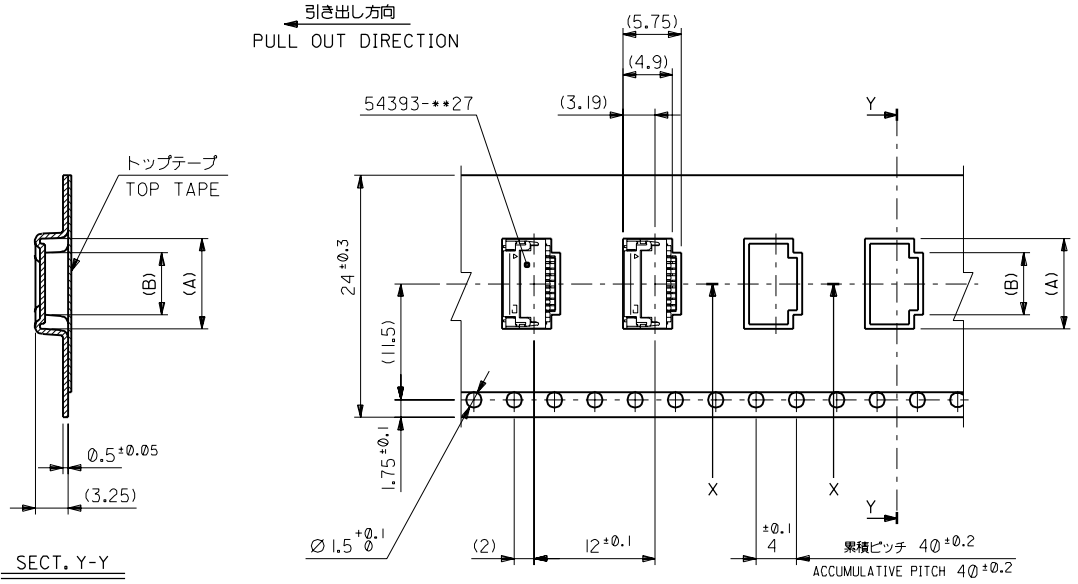
D

V

C

B

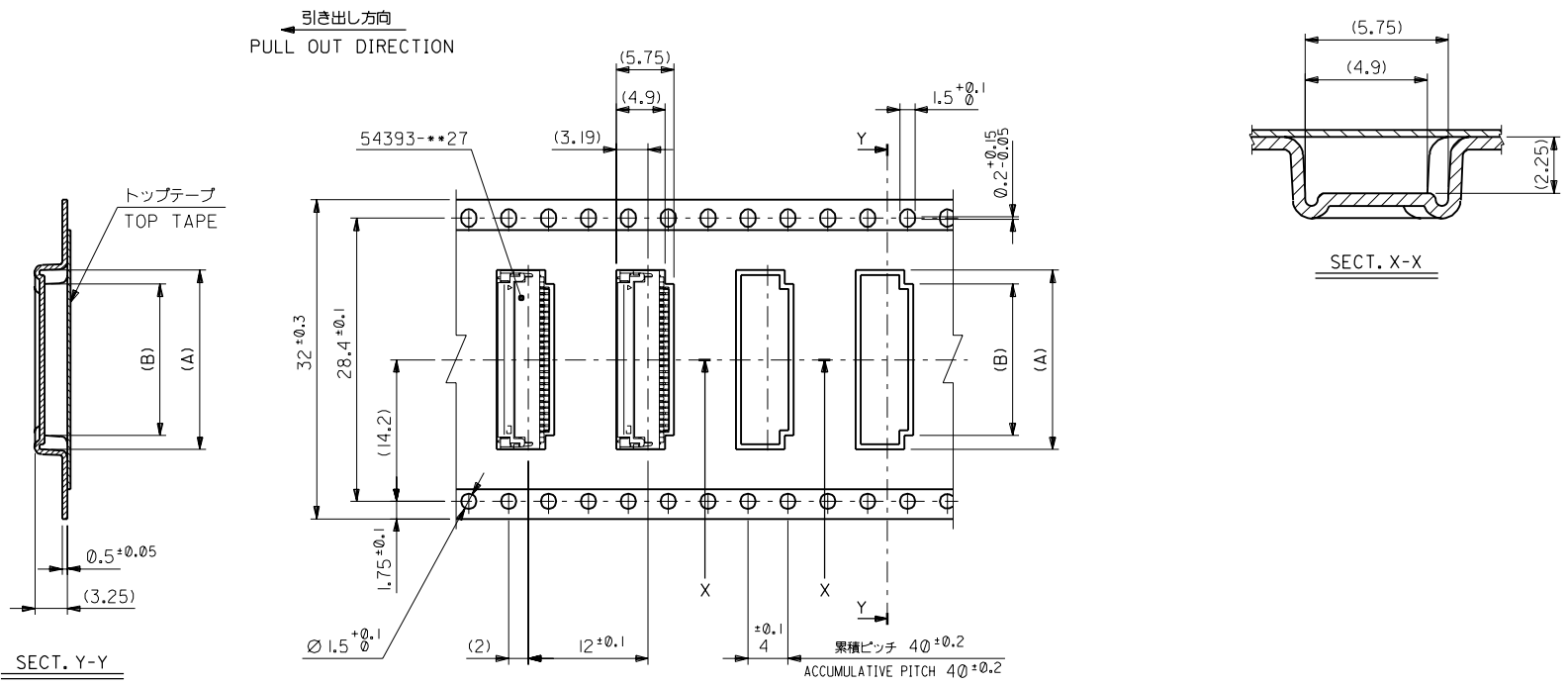
DO NOT SCALE DRAWING



24mm幅キャリアテープ  
24mm WIDTH CARRIER TAPE

24	25.5	13.4	16.2	54393-4592	45
		11.6	14.4	54393-3992	39
		9.8	12.6	54393-3392	33
		8	10.8	54393-2792	27
		6.8	9.6	54393-2392	23
		6.2	9.0	54393-2192	21
キャリアテープ幅 CARRIER TAPE WIDTH	C	B	A	MATERIAL NO.	極致 CKT.

EC NO. DRAWN: CHK'g: APPR:	REVISED '01/7/20 EC NO. J2002-0041 DRWN:M.HAYASHI CHK'g: S.KUNISHI APPR: T.YAMAGUCHI	REVISED EC NO. JC2001-0161 DRWN:N.YANO '00/9/23 CHK'g: S.KUNISHI APPR:M.FUKUSHIMA 9/23	REVISED EC NO. JC2000-0595 DRWN:Y.MIZUNO '00/3/13 CHK'g: S.KUNISHI APPR:M.FUKUSHIMA 3/13	RELEASED EC NO. JC90603 DRWN:Y.MIZUNO '99/3/23 CHK'g: S.KUNISHI APPR:M.FUKUSHIMA 3/23	MATERIAL 材料 注記参照 SEE NOTES	GENERAL TOLERANCES: (UNLESS SPECIFIED) 一般公差	SCALE //	DESIGN UNITS <input checked="" type="checkbox"/> mm <input type="checkbox"/> INCH	MODEL NO. THIRD ANGLE PROJECTION	DIMENSIONS: <input type="checkbox"/> mm <input type="checkbox"/> INCH <input checked="" type="checkbox"/> mm ONLY	SHT REV
	C	B	A	0		10 UNDER 未満 ±0.2	DRAWN BY & DATE Y.MIZUNO '99/3/23	<input type="checkbox"/> THIRD ANGLE PROJECTION	TITLE: 0.3 FPC Conn (Easy on) Hsg Assy Embstp Pkg		
						10 OVER 以上 30 UNDER 未満 ±0.25	CHECKED BY & DATE S.KUNISHI '01/7/20		<b>MOLEX INCORPORATED</b>		
						30 OVER 以上 ±0.3	APPROVED BY & DATE T.YAMAGUCHI '01/7/20		MATERIAL NO. SEE CHART	DRAWING NO. SD-54393-016	SHEET NO. 3 OF 4
						ANGLE 角度 ±3°	CAD FILENAME 54393016.S03				SIZE B
THIS DRAWING CONTAINS INFORMATION THAT IS PROPRIETARY TO MOLEX INCORPORATED AND SHOULD NOT BE USED WITHOUT WRITTEN PERMISSION.											



32mm幅キャリアテープ  
32mm WIDTH CARRIER TAPE

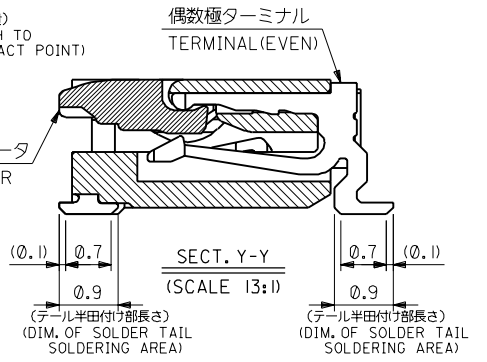
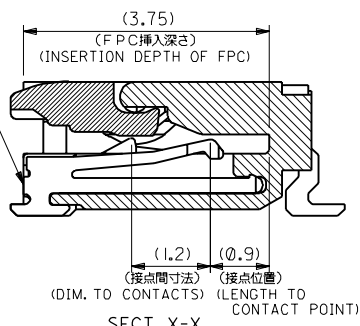
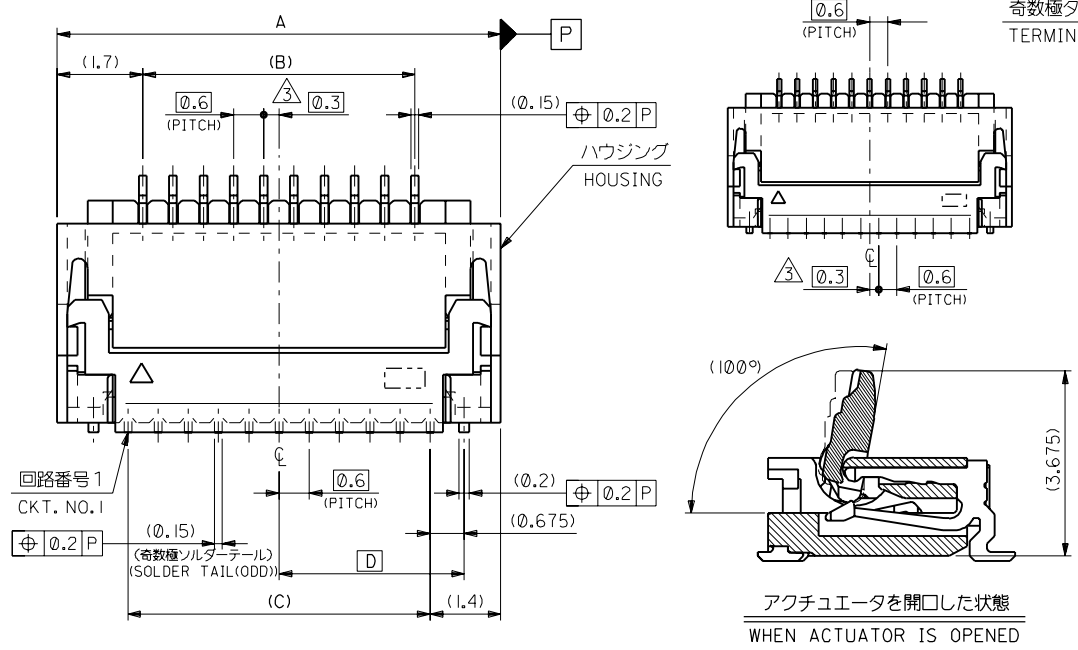
32	33.5	15.2	18.0	54393-5192	51
キャリアテープ幅 CARRIER TAPE WIDTH	C	B	A	MATERIAL NO.	極致 CKT.

EC NO. DRWN: CHK: APPR:	REVISED '01/7/20 EC NO. J2002-0041 DRWN:M.HAYASHI CHK: S.KUNISHI APPR: T.YAMAGUCHI	REVISED EC NO. JC2001-0161 DRWN:N.YANO '00/9/29 CHK: S.KUNISHI APPR:M.FUKUSHIMA 9/29	REVISED EC NO. JC2000-0595 DRWN:Y.MIZUNO '00/3/13 CHK: S.KUNISHI APPR:M.FUKUSHIMA 3/13	RELEASED EC NO. JC90603 DRWN:Y.MIZUNO '99/3/23 CHK: S.KUNISHI APPR:M.FUKUSHIMA 3/23
DESCRIPTION	MATERIAL 材料			
FINISH 仕上げ	//			
WIRE RANGE 適用線径範囲	//			
INS. RANGE 被覆外径	//			

GENERAL TOLERANCES: (UNLESS SPECIFIED) 一般公差	10 UNDER 未満	±0.2
	10 OVER 以上	±0.25
	30 OVER 以上	±0.3
ANGLE 角度		±3°

SCALE	DESIGN UNITS	MODEL NO.
//	<input checked="" type="checkbox"/> mm <input type="checkbox"/> INCH	54393-***92
DRAWN BY & DATE	THIRD ANGLE PROJECTION	DIMENSIONS:
Y.MIZUNO '99/3/23	<input type="checkbox"/> mm <input type="checkbox"/> INCH <input checked="" type="checkbox"/> mm ONLY	SHT
CHECKED BY & DATE	TITLE:	REV
S.KUNISHI '01/7/20	0.3 FPC Conn (Easy on) Hsg Assy Embstp Pkg	REVISE ON CAD ONLY
APPROVED BY & DATE	MATERIAL NO.	
T.YAMAGUCHI '01/7/20	54393016.S04	
CAD FILENAME	DRAWING NO.	SHEET NO.
54393016.S04	SD-54393-016	4 OF 4

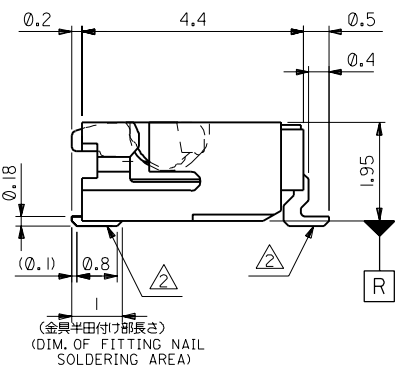
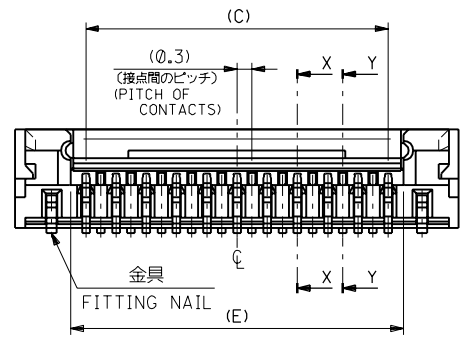
THIS DRAWING CONTAINS INFORMATION THAT IS PROPRIETARY TO MOLEX INCORPORATED AND SHOULD NOT BE USED WITHOUT WRITTEN PERMISSION.		SIZE B
--	--	--------



注記 NOTES

- 使用材料 MATERIAL  
 ハウジング : LCP , UL94V-0  
 HOUSING  
 アクチュエータ : PPS , UL94V-0  
 ACTUATOR  
 ターミナル : リン青銅 (t=0.15) , 銅下地半田メッキ  
 TERMINAL : PHOS-BRO. , Sn-Pb OVER Cu PLATING.  
 金具 : リン青銅 (t=0.2) , 銅下地半田メッキ  
 FITTING NAIL : PHOS-BRO. , Sn-Pb OVER Cu PLATING.
- ソルダーテール半田付け面のスレ量、及び金具半田付け面のスレ量は、基準面 **R** に対し、上方向0MAX. 下方向0.18MAX. とする。  
 又、相互のパラッキ量は0.1MAX. とする。  
 MISALIGNMENT OF SOLDER TAILS AND FITTING NAILS FROM **R**  
 UPPER DIRECTION : 0 MAX. , LOWER DIRECTION : 0.18 MAX.  
 OFFSET BETWEEN SOLDER TAILS AND FITTING NAILS : 0.1 MAX.
- (N-1)/2 が偶数の場合、偶数極側に適用。  
 (N-1)/2 が奇数の場合、奇数極側に適用。  
 IF (N-1)/2 = EVEN, APPLY FOR EVEN CIRCUIT SIDE.  
 IF (N-1)/2 = ODD, APPLY FOR ODD CIRCUIT SIDE.
- 一般公差 : ±0.3  
 GENERAL TOLERANCES : ±0.3

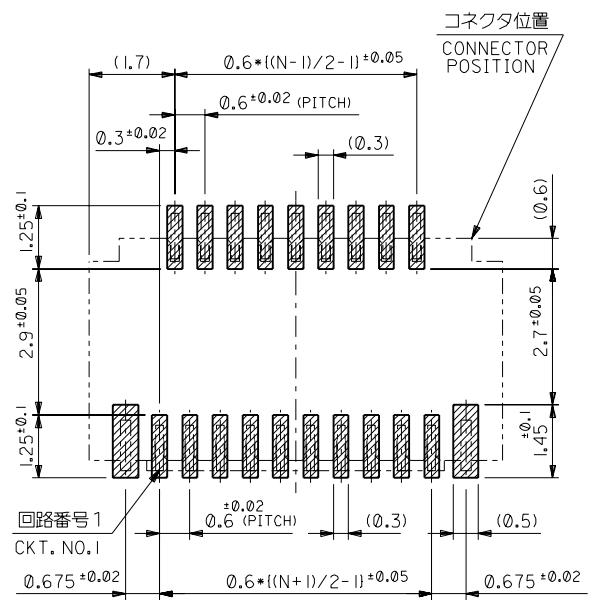
15.6	8.175	15	14.4	17.8	54393-5127	51
13.8	7.275	13.2	12.6	16	54393-4527	45
12	6.375	11.4	10.8	14.2	54393-3927	39
10.2	5.475	9.6	9	12.4	54393-3327	33
8.4	4.575	7.8	7.2	10.6	54393-2727	27
7.2	3.975	6.6	6.0	9.4	54393-2327	23
6.6	3.675	6	5.4	8.8	54393-2127	21
5.4	3.075	4.8	4.2	7.6	54393-1727	17
E	D	C	B	A	MATERIAL NO.	CKT.



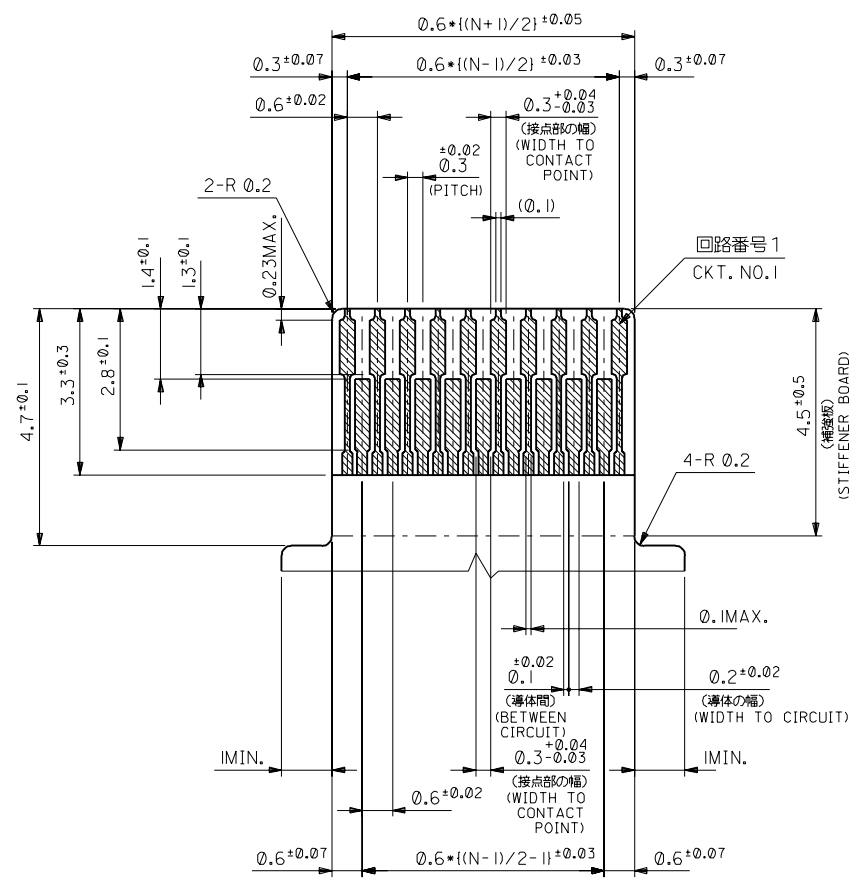
DO NOT SCALE DRAWING

REVISED '01/7/20 EC NO. JC2002-0041 DRWN:M.HAYASHI CHK: S.KUNISHI APPR:T.YAMAGUCHI	REVISED EC NO. JC2001-0161 DRWN:N.YANO '00/9/29 CHK: S.KUNISHI '00/9/29 APPR:M.FUKUSHIMA	REVISED EC NO. JC2000-0595 DRWN:Y.MIZUNO '00/3/13 CHK: S.KUNISHI '00/3/13 APPR:M.FUKUSHIMA	REVISED ECR-JC90669 EC NO. JC90669 '99/6/9 DRWN:Y.MIZUNO '99/6/9 CHK: S.KUNISHI '99/6/9 APPR:M.FUKUSHIMA	RELEASED EC NO. JC90641 DRWN:Y.MIZUNO '99/4/8 CHK: S.KUNISHI '99/4/8 APPR:M.FUKUSHIMA	DESCRIPTION MATERIAL 材料 FINISH 仕上げ WIRE RANGE 適用線径範囲 INS. RANGE 被覆外径	注記参照 SEE NOTES // // //
--	--	--	--	---	--	-------------------------------------

GENERAL TOLERANCES: (UNLESS SPECIFIED) 一般公差	SCALE 10:1	DESIGN UNITS <input checked="" type="checkbox"/> mm <input type="checkbox"/> INCH	MODEL NO. 54393-027	DIMENSIONS: <input type="checkbox"/> mm <input type="checkbox"/> INCH <input checked="" type="checkbox"/> mm ONLY	SHT 1	REV
10 UNDER 未満	DRAWN BY & DATE Y.MIZUNO '99/4/8	TITLE: 0.3 FPC Conn (Easy on) Hsg Assy	THIRD ANGLE PROJECTION	MOLEX MOLEX INCORPORATED	MATERIAL NO.	DRAWING NO. SD-54393-020
10 OVER 以上	CHECKED BY & DATE S.KUNISHI '01/7/20				SEE CHART	SHEET NO. 1 OF 2
30 OVER 以上	APPROVED BY & DATE T.YAMAGUCHI '01/7/20				CAD FILENAME 54393020.S01	SIZE B
ANGLE 角度					THIS DRAWING CONTAINS INFORMATION THAT IS PROPRIETARY TO MOLEX INCORPORATED AND SHOULD NOT BE USED WITHOUT WRITTEN PERMISSION.	



参考基板レイアウト  
RECOMMENDED P.C.BOARD  
PATTERN DIM. (REF.)  
(マウント面)  
(MOUNTING SIDE)



適応FPC推奨寸法  
APPLICABLE FPC  
RECOMMENDED DIM.  
(仕上がり厚さ: 0.2 ± 0.03)  
(THICKNESS: 0.2 ± 0.03)

REVISED 01/7/20 EC NO. JC2002-0041 DRWN: M. HAYASHI CHK: S. KUNISHI APPR: T. YAMAGUCHI	REVISED EC NO. JC2001-0161 DRWN: N. YANO '00/9/29 CHK: S. KUNISHI '00/9/29 APPR: M. FUKUSHIMA	REVISED EC NO. JC2000-0595 DRWN: Y. MIZUNO '00/3/13 CHK: S. KUNISHI '00/3/13 APPR: M. FUKUSHIMA	REVISED ECR-JC90669 EC NO. JC90669 DRWN: Y. MIZUNO '99/6/9 CHK: S. KUNISHI '99/6/9 APPR: M. FUKUSHIMA	RELEASED EC NO. JC90641 DRWN: Y. MIZUNO '99/4/8 CHK: S. KUNISHI '99/4/8 APPR: M. FUKUSHIMA
D	C	B	A	0

MATERIAL 材料	注記参照 SEE NOTES
FINISH 仕上げ	//
WIRE RANGE 適用線径範囲	//
INS. RANGE 被覆外径	//

GENERAL TOLERANCES: (UNLESS SPECIFIED) 一般公差	SCALE 10:1	DESIGN UNITS <input checked="" type="checkbox"/> mm <input type="checkbox"/> INCH	THIRD ANGLE PROJECTION <input checked="" type="checkbox"/> THIRD ANGLE <input type="checkbox"/> FIRST ANGLE
10 UNDER 未満	±0.2	DRAWN BY & DATE Y. MIZUNO '99/4/8	TITLE: 0.3 FPC Conn (Easy on) Hsg Assy
10 OVER 以上	±0.25	CHECKED BY & DATE S. KUNISHI '01/7/20	MOLEX MOLEX INCORPORATED
30 OVER 以上	±0.3	APPROVED BY & DATE T. YAMAGUCHI '01/7/20	
ANGLE 角度	±3°	CAD FILENAME 54393020.S02	MATERIAL NO. SEE SHEET 1

DIMENSIONS: <input type="checkbox"/> mm <input type="checkbox"/> INCH	SHT REVISE ON CAD ONLY	REV
THIS DRAWING CONTAINS INFORMATION THAT IS PROPRIETARY TO MOLEX INCORPORATED AND SHOULD NOT BE USED WITHOUT WRITTEN PERMISSION.		
DRAWING NO. SD-54393-020		SHEET NO. 2 OF 2