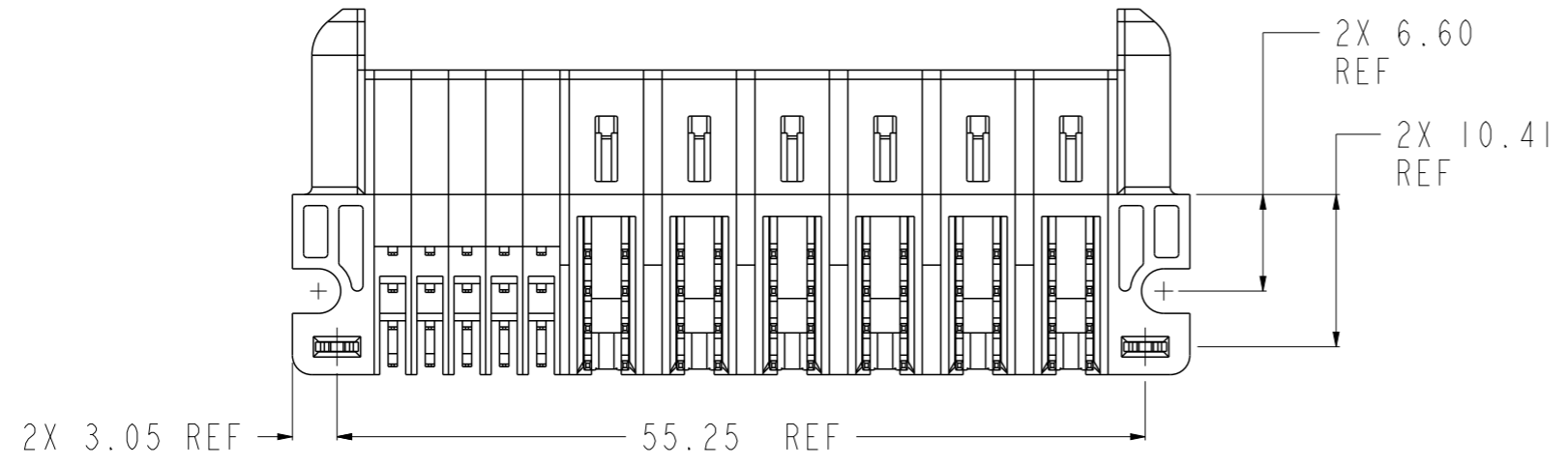
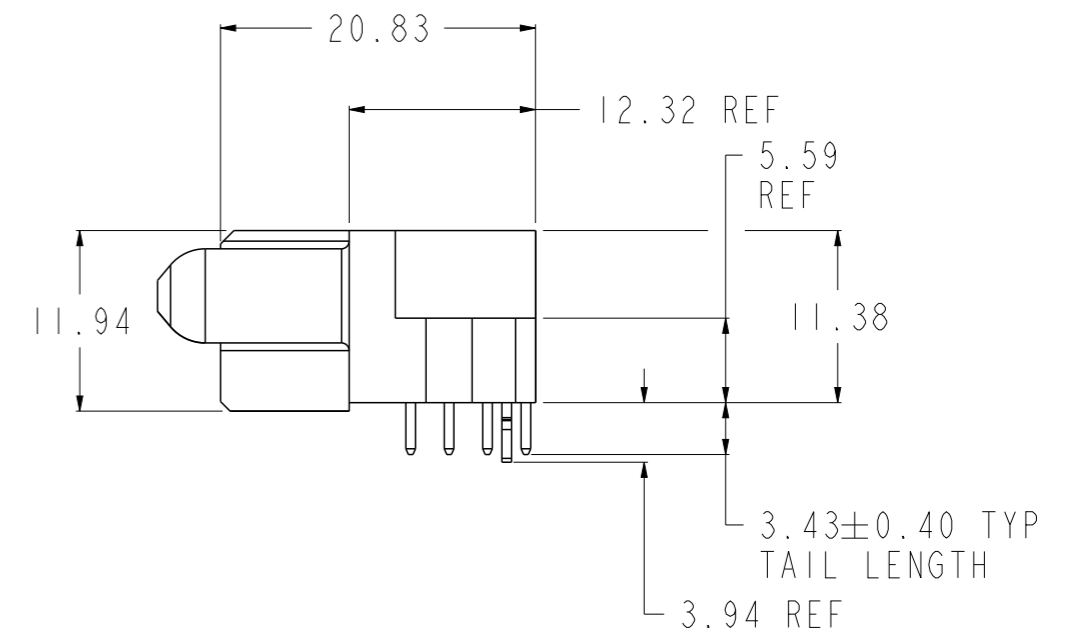
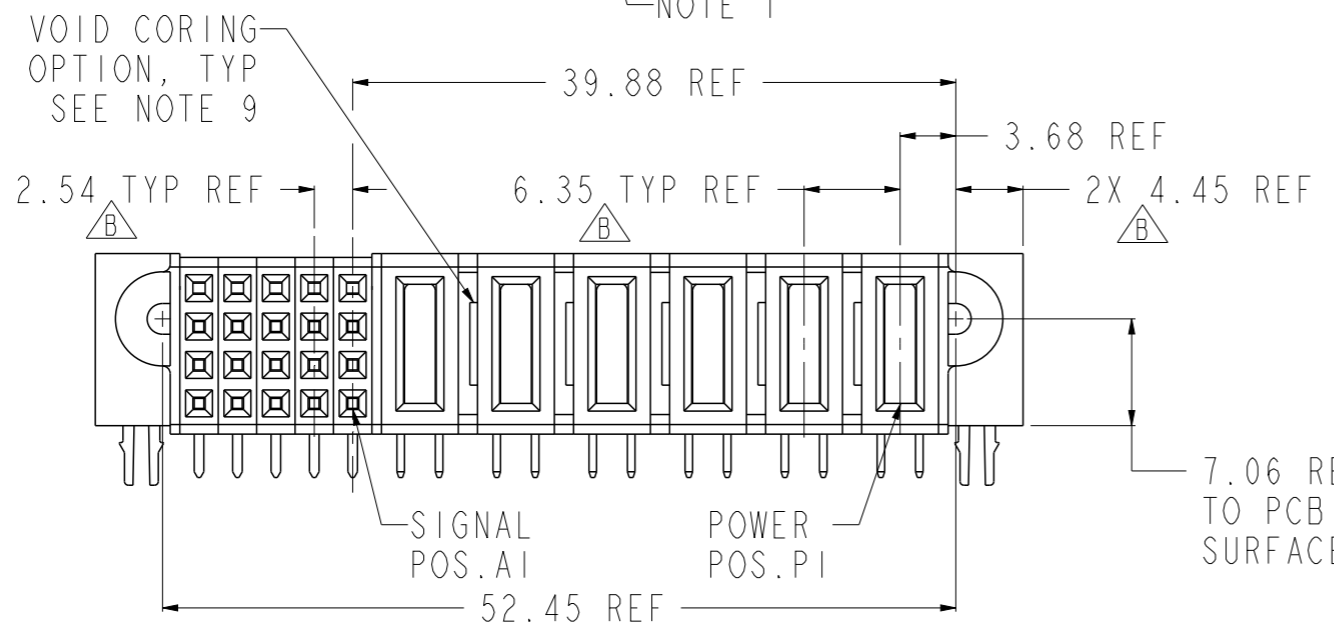


PART NUMBER 10106126-6005001LF



spec ref *	dr Peng-Bing Fu	2012/03/30	projection	MM	size A3	scale 2.000	
tolerance std	eng Peng-Bing Fu	2012/11/14			ecn no ELX-DG-013144-1	rel level Released	
TOLERANCES UNLESS OTHERWISE SPECIFIED							product family
surface ✓	linear	0.X	±0.50		title 6HP + 20S RA SOLDER RECEPTACLE	dwg no 10106126-6005001	rev B
		0.XX	±0.25				
		0.XXX	±0.10				
	angular	0°	±2°	www.fci.com	cat. no. -	Product - Customer Drw	sheet 1 of 3

Copyright FCI.

PRODUCT NUMBER

10106126-6005001LF

ROWS

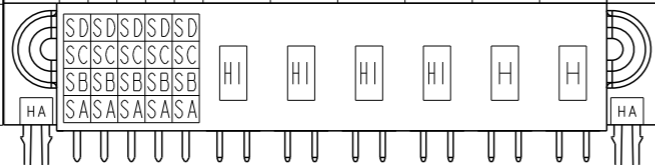
D
C
B
A

SIGNAL

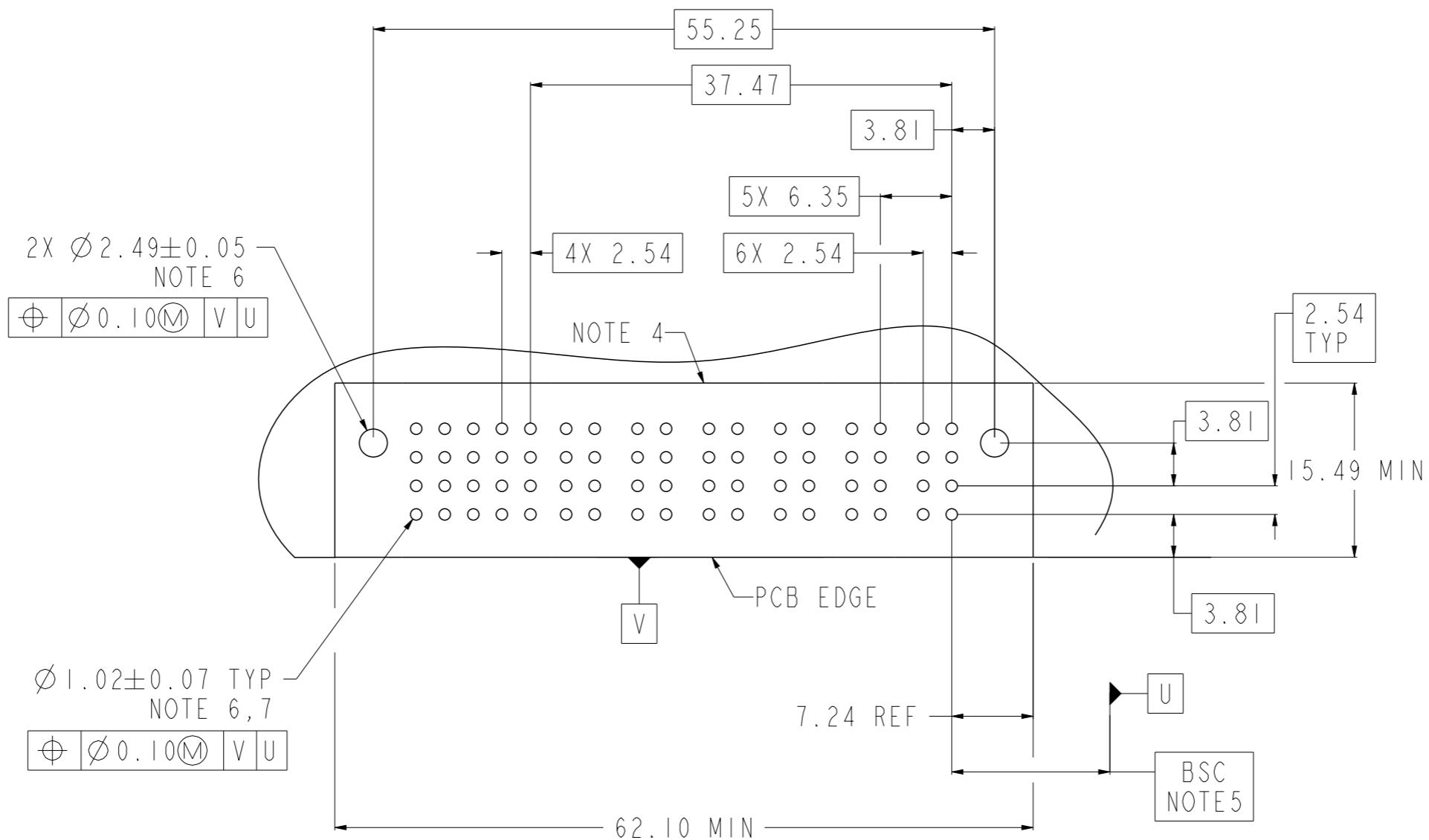
5 4 3 2 1

HIGH POWER

P6 P5 P4 P3 P2 P1



CODE	DESCRIPTION
H	STD HIGH POWER CONTACT
HI	MFBL HIGH POWER CONTACT
SA	STD SIGNAL CONTACT, ROW A
SB	STD SIGNAL CONTACT, ROW B
SC	STD SIGNAL CONTACT, ROW C
SD	STD SIGNAL CONTACT, ROW D
HA	METAL HOLD DOWN



2X $\varnothing 2.49 \pm 0.05$
NOTE 6

$\varnothing 0.10$ (M) V U

$\varnothing 1.02 \pm 0.07$ TYP
NOTE 6, 7

$\varnothing 0.10$ (M) V U

dr	Peng-Bing Fu	2012/03/30	projection 	size A3	scale 1:1
eng	Peng-Bing Fu	2012/11/14			
chr	Tian-Xu Huang	2012/11/15			
appr	Pei-Ming Zheng	2012/11/15			
product family			-	ecn no	ELX-DG-013144-1
rel level			Released		
title 6HP + 20S RA SOLDER RECEPTACLE		dwg no 10106126-6005001		rev B	
www.fci.com		cat. no.		Product - Customer Drw	
		-		sheet 2 of 3	



Copyright FCI.

NOTES:

- 1) "FCI", PART NUMBER AND DATE CODE TO BE MARKED IN AREA SHOWN.
PART LENGTH UNDER 30MM SHOW DATE CODE ONLY.
- 2) MATERIALS:
-HOUSING - GLASS FILLED WITH HIGH TEMP THERMOPLASTIC, UL94V-0.
-SIGNAL CONTACT - COPPER ALLOY.
-POWER CONTACT - HIGH CONDUCTIVITY COPPER ALLOY.
- 3) PLATING SPECIFICATION REFER TO FCI 10116351
- 4) DENOTES CONNECTOR KEEP OUT ZONE.
- 5) DATUM AND BASIC DIMENIONS WERE ESTABLISHED BY CUSTOMER.
- 6) ALL HOLE DIAMETERS ARE FINISHED HOLE SIZES.
- 7) 1.15 ± 0.025 MM DRILLED HOLE PLATED WITH 0.00762MM MIN Sn
OVER 0.0254-0.0762MM Cu PLATING TO ACHIEVE A 1.02 ± 0.07 MM HOLE.
- 8) PRODUCT SPECIFICATION REFER TO FCI GS-12-658.
APPLICATION SPECIFICATION REFER TO FCI GS-20-141.
PRODUCT PACKAGED IN TRAYS, REFER TO FCI GS-14-1502.
- 9) THE VOID CORING IN BETWEEN POWER MODULES, SIGNAL
MODULES AND END MODULES ARE OPTIONAL AND THE SHAPE
MAY BE DIFFERENT FOR OPTIMIZE THE MOLDING PROCESS. THE
VOID CORING WILL NOT EFFECT TO PRODUCT FUNCTION.
- 10) A $\triangle B$ SYMBOL WILL BE NEXT TO ANY DIMENSION,VIEW,OR NOTE WHICH
HAS BEEN MODIFIED WITH THE CURRENT DRAWING REVISION.



Copyright FCI.

dr	Peng-Bing Fu	2012/03/30			size	A3	scale	1.000
eng	Peng-Bing Fu	2012/11/14			ecn no	ELX-DG-013144-1		
chr	Tian-Xu Huang	2012/11/15			product family	-	rel level	Released
appr	Pei-Ming Zheng	2012/11/15						
		title 6HP + 20S RA SOLDER RECEPTACLE			dwg no 10106126-6005001	rev B		
www.fci.com		cat. no.	-		Product - Customer Drw		sheet 3 of 3	