

## ISL9N304AP3/ISL9N304AS3ST

### N-Channel Logic Level UltraFET® Trench MOSFETs 30V, 75A, 4.5mΩ

#### General Description

This device employs a new advanced trench MOSFET technology and features low gate charge while maintaining low on-resistance.

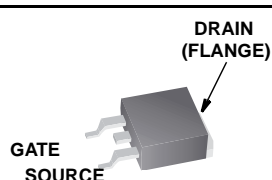
Optimized for switching applications, this device improves the overall efficiency of DC/DC converters and allows operation to higher switching frequencies.

#### Applications

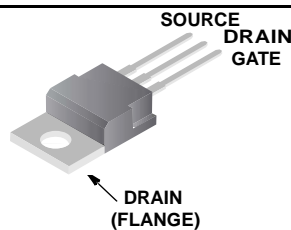
- DC/DC converters

#### Features

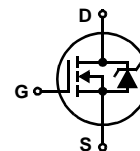
- Fast switching
- $r_{DS(ON)} = 0.0036\Omega$  (Typ),  $V_{GS} = 10V$
- $r_{DS(ON)} = 0.0060\Omega$  (Typ),  $V_{GS} = 4.5V$
- $Q_g$  (Typ) = 38nC,  $V_{GS} = 5V$
- $Q_{gd}$  (Typ) = 13nC
- $C_{ISS}$  (Typ) = 4075pF



TO-263



TO-220



#### MOSFET Maximum Ratings $T_A = 25^\circ\text{C}$ unless otherwise noted

| Symbol         | Parameter   | Ratings    | Units               |
|----------------|---|------------|---------------------|
| $V_{DSS}$      | Drain to Source Voltage   | 30         | V                   |
| $V_{GS}$       | Gate to Source Voltage  | $\pm 20$   | V                   |
| $I_D$          | Drain Current   |            |                     |
|                | Continuous ( $T_C = 25^\circ\text{C}$ , $V_{GS} = 10V$ )  | 75         | A                   |
|                | Continuous ( $T_C = 100^\circ\text{C}$ , $V_{GS} = 4.5V$ )                                      | 74         | A                   |
|                | Continuous ( $T_C = 25^\circ\text{C}$ , $V_{GS} = 10V$ , $R_{\theta JA} = 43^\circ\text{C/W}$ ) | 20         | A                   |
|                | Pulsed  | Figure 4   | A                   |
| $P_D$          | Power dissipation   | 145        | W                   |
|                | Derate above $25^\circ\text{C}$   | 0.97       | W/ $^\circ\text{C}$ |
| $T_J, T_{STG}$ | Operating and Storage Temperature   | -55 to 175 | $^\circ\text{C}$    |

#### Thermal Characteristics

|                 |   |      |                    |
|-----------------|---|------|--------------------|
| $R_{\theta JC}$ | Thermal Resistance Junction to Case TO-220, TO-263                              | 1.03 | $^\circ\text{C/W}$ |
| $R_{\theta JA}$ | Thermal Resistance Junction to Ambient TO-220, TO-263                           | 62   | $^\circ\text{C/W}$ |
| $R_{\theta JA}$ | Thermal Resistance Junction to Ambient TO-263, 1in <sup>2</sup> copper pad area | 43   | $^\circ\text{C/W}$ |

#### Package Marking and Ordering Information

| Device Marking | Device        | Package  | Reel Size | Tape Width | Quantity  |
|----------------|---------------|----------|-----------|------------|-----------|
| N304AS         | ISL9N304AS3ST | TO-263AB | 330mm     | 24mm       | 800 units |
| N304AP         | ISL9N304AP3   | TO-220AB | Tube      | N/A        | 50        |

**Electrical Characteristics**  $T_A = 25^\circ\text{C}$  unless otherwise noted

| Symbol | Parameter | Test Conditions | Min | Typ | Max | Units |
|--------|-----------|-----------------|-----|-----|-----|-------|
|--------|-----------|-----------------|-----|-----|-----|-------|

**Off Characteristics**

|            |                                   |   |    |   |           |               |
|------------|-----------------------------------|---|----|---|-----------|---------------|
| $B_{VDSS}$ | Drain to Source Breakdown Voltage | $I_D = 250\mu\text{A}$ , $V_{GS} = 0\text{V}$                   | 30 | - | -         | V             |
| $I_{DSS}$  | Zero Gate Voltage Drain Current   | $V_{DS} = 25\text{V}$<br>$V_{GS} = 0\text{V}$ $T_C = 150^\circ$ | -  | - | 1         | $\mu\text{A}$ |
| $I_{GSS}$  | Gate to Source Leakage Current    | $V_{GS} = \pm 20\text{V}$                                       | -  | - | $\pm 100$ | nA            |

**On Characteristics**

|              |                                  |   |   |                  |                  |          |
|--------------|----------------------------------|---|---|------------------|------------------|----------|
| $V_{GS(TH)}$ | Gate to Source Threshold Voltage | $V_{GS} = V_{DS}$ , $I_D = 250\mu\text{A}$  | 1 | -                | 3                | V        |
| $r_{DS(ON)}$ | Drain to Source On Resistance    | $I_D = 75\text{A}$ , $V_{GS} = 10\text{V}$<br>$I_D = 74\text{A}$ , $V_{GS} = 4.5\text{V}$ | - | 0.0036<br>0.0060 | 0.0045<br>0.0075 | $\Omega$ |

**Dynamic Characteristics**

|              |                               |   |   |      |     |     |    |
|--------------|-------------------------------|---|---|------|-----|-----|----|
| $C_{ISS}$    | Input Capacitance             | $V_{DS} = 15\text{V}$ , $V_{GS} = 0\text{V}$ ,<br>$f = 1\text{MHz}$ | -   | 4075 | -   | pF  |    |
| $C_{OSS}$    | Output Capacitance            |   | -   | 830  | -   | pF  |    |
| $C_{RSS}$    | Reverse Transfer Capacitance  |   | -   | 380  | -   | pF  |    |
| $Q_{g(TOT)}$ | Total Gate Charge at 10V      | $V_{GS} = 0\text{V}$ to 10V   | $V_{DD} = 15\text{V}$<br>$I_D = 74\text{A}$<br>$I_g = 1.0\text{mA}$ | 70   | 105 | nC  |    |
| $Q_{g(5)}$   | Total Gate Charge at 5V       | $V_{GS} = 0\text{V}$ to 5V  |   | -    | 38  | 57  | nC |
| $Q_{g(TH)}$  | Threshold Gate Charge         | $V_{GS} = 0\text{V}$ to 1V  |   | -    | 3.9 | 5.8 | nC |
| $Q_{gs}$     | Gate to Source Gate Charge    |   |   | -    | 11  | -   | nC |
| $Q_{gd}$     | Gate to Drain "Miller" Charge |   |   | -    | 13  | -   | nC |

**Switching Characteristics** ( $V_{GS} = 4.5\text{V}$ )

|              |                     |   |   |    |     |    |
|--------------|---------------------|---|---|----|-----|----|
| $t_{ON}$     | Turn-On Time        | $V_{DD} = 15\text{V}$ , $I_D = 20\text{A}$<br>$V_{GS} = 4.5\text{V}$ , $R_{GS} = 2.4\Omega$ | - | -  | 137 | ns |
| $t_{d(ON)}$  | Turn-On Delay Time  |   | - | 14 | -   | ns |
| $t_r$        | Rise Time           |   | - | 77 | -   | ns |
| $t_{d(OFF)}$ | Turn-Off Delay Time |   | - | 33 | -   | ns |
| $t_f$        | Fall Time           |   | - | 20 | -   | ns |
| $t_{OFF}$    | Turn-Off Time       |   | - | -  | 79  | ns |

**Switching Characteristics** ( $V_{GS} = 10\text{V}$ )

|              |                     |  |   |    |     |    |
|--------------|---------------------|--|---|----|-----|----|
| $t_{ON}$     | Turn-On Time        | $V_{DD} = 15\text{V}$ , $I_D = 20\text{A}$<br>$V_{GS} = 10\text{V}$ , $R_{GS} = 2.4\Omega$ | - | -  | 113 | ns |
| $t_{d(ON)}$  | Turn-On Delay Time  |  | - | 9  | -   | ns |
| $t_r$        | Rise Time           |  | - | 67 | -   | ns |
| $t_{d(OFF)}$ | Turn-Off Delay Time |  | - | 51 | -   | ns |
| $t_f$        | Fall Time           |  | - | 19 | -   | ns |
| $t_{OFF}$    | Turn-Off Time       |  | - | -  | 104 | ns |

**Unclamped Inductive Switching**

|          |                |  |     |   |   |               |
|----------|----------------|--|-----|---|---|---------------|
| $t_{AV}$ | Avalanche Time | $I_D = 3.8\text{A}$ , $L = 3.0\text{mH}$ | 255 | - | - | $\mu\text{s}$ |
|----------|----------------|--|-----|---|---|---------------|

**Drain-Source Diode Characteristics**

|          |                               |  |   |   |      |    |
|----------|-------------------------------|--|---|---|------|----|
| $V_{SD}$ | Source to Drain Diode Voltage | $I_{SD} = 74\text{A}$  | - | - | 1.25 | V  |
|          |                               | $I_{SD} = 35\text{A}$  | - | - | 1.0  | V  |
| $t_{rr}$ | Reverse Recovery Time         | $I_{SD} = 74\text{A}$ , $dI_{SD}/dt = 100\text{A}/\mu\text{s}$ | - | - | 27   | ns |
| $Q_{RR}$ | Reverse Recovered Charge      | $I_{SD} = 74\text{A}$ , $dI_{SD}/dt = 100\text{A}/\mu\text{s}$ | - | - | 16   | nC |

Typical Characteristic

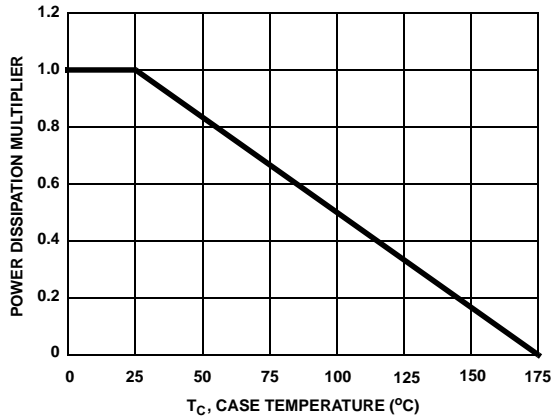


Figure 1. Normalized Power Dissipation vs Ambient Temperature

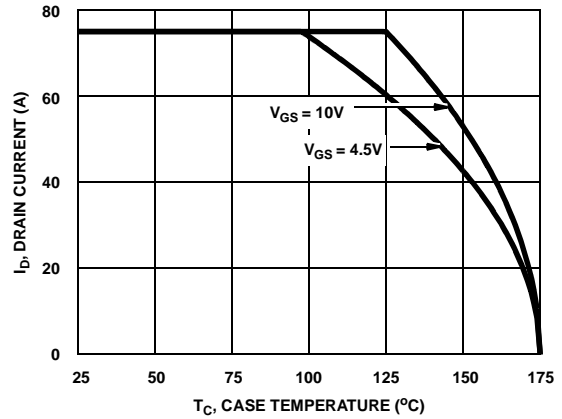


Figure 2. Maximum Continuous Drain Current vs Case Temperature

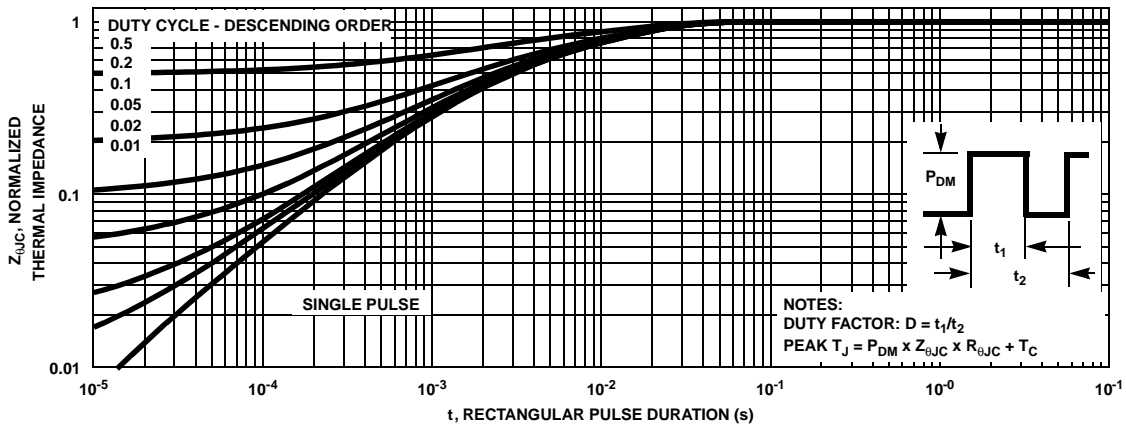


Figure 3. Normalized Maximum Transient Thermal Impedance

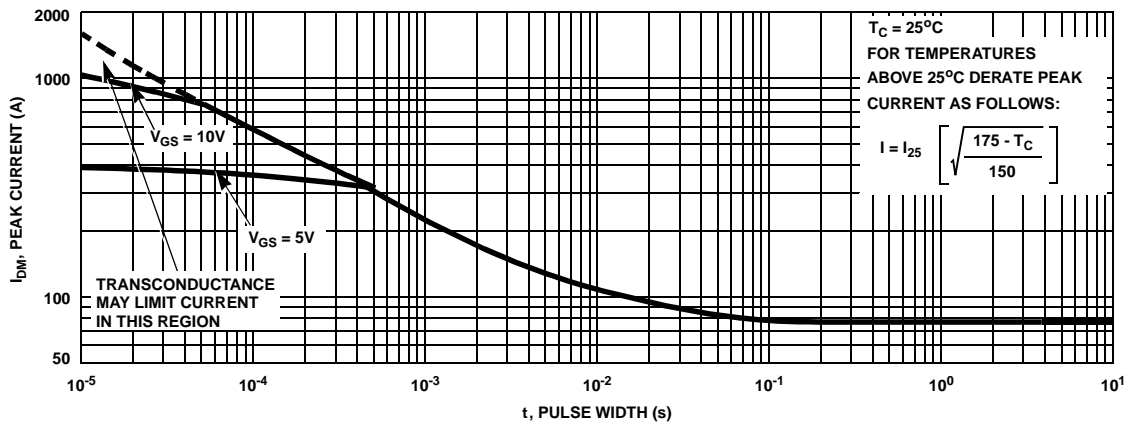


Figure 4. Peak Current Capability

Typical Characteristic (Continued)

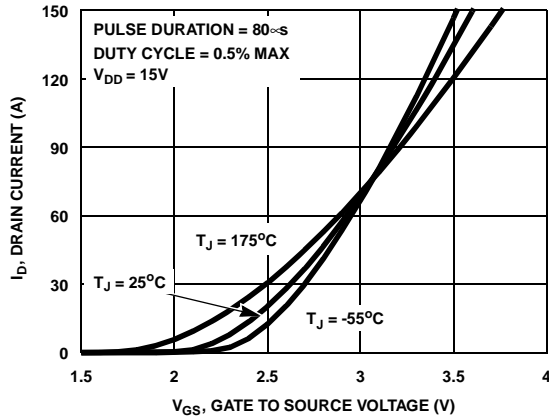


Figure 5. Transfer Characteristics

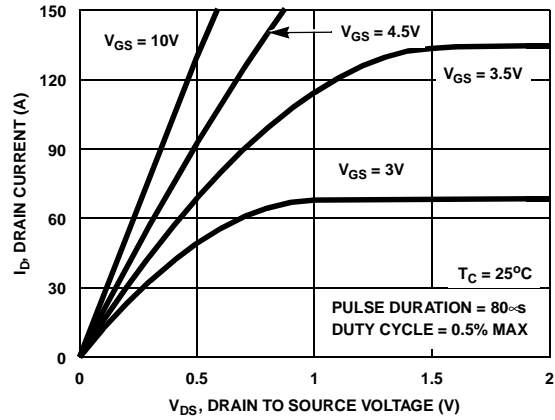


Figure 6. Saturation Characteristics

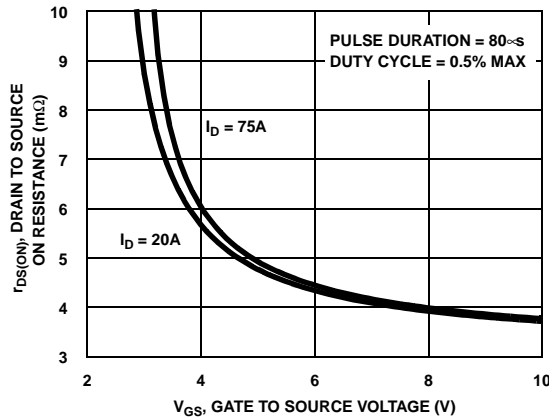


Figure 7. Drain to Source On Resistance vs Gate Voltage and Drain Current

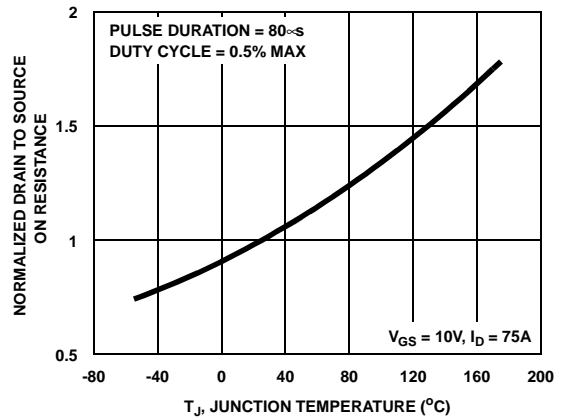


Figure 8. Normalized Drain to Source On Resistance vs Junction Temperature

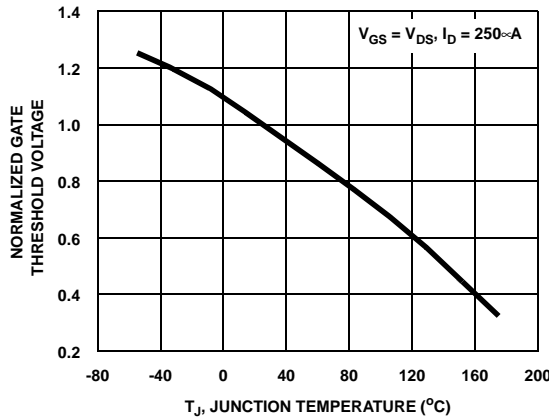


Figure 9. Normalized Gate Threshold Voltage vs Junction Temperature

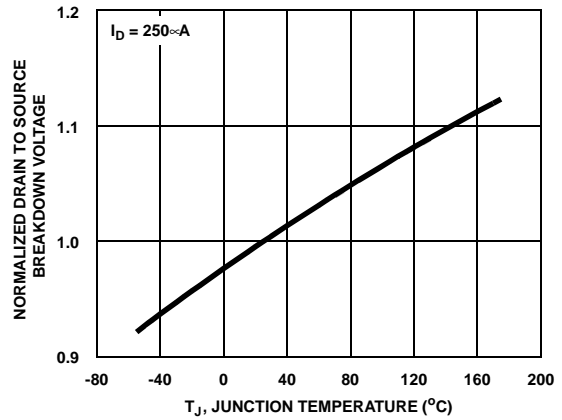


Figure 10. Normalized Drain to Source Breakdown Voltage vs Junction Temperature

Typical Characteristic (Continued)

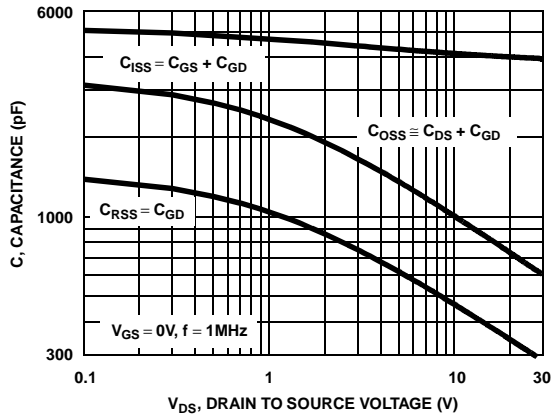


Figure 11. Capacitance vs Drain to Source Voltage

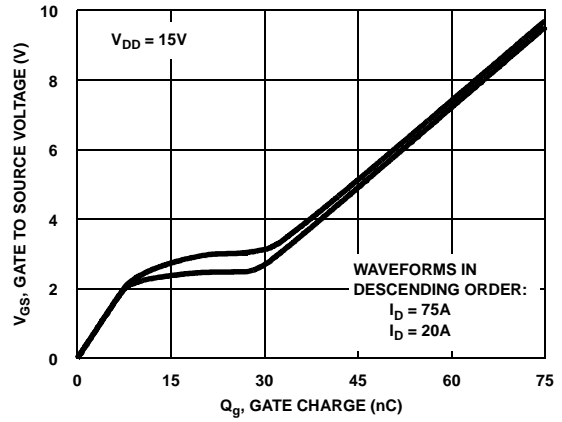


Figure 12. Gate Charge Waveforms for Constant Gate Currents

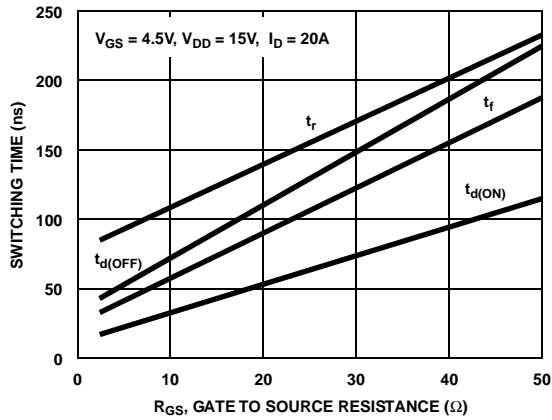


Figure 13. Switching Time vs Gate Resistance

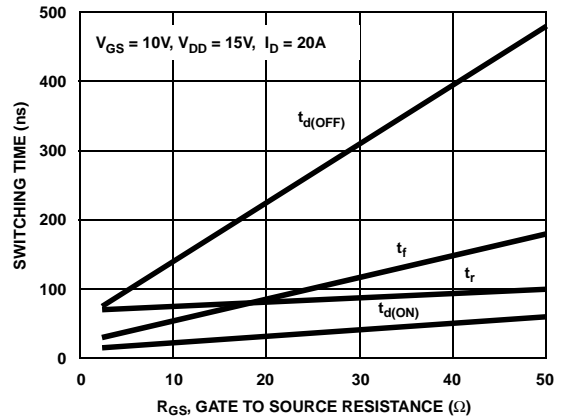


Figure 14. Switching Time vs Gate Resistance

Test Circuits and Waveforms

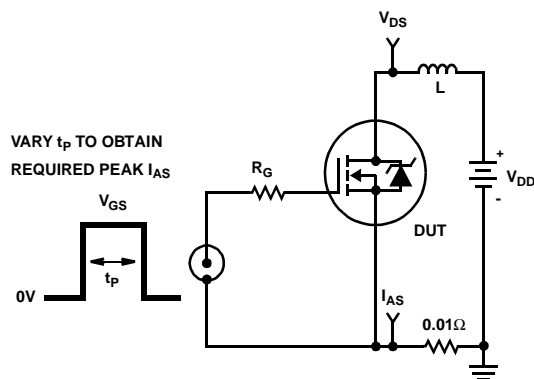


Figure 15. Unclamped Energy Test Circuit

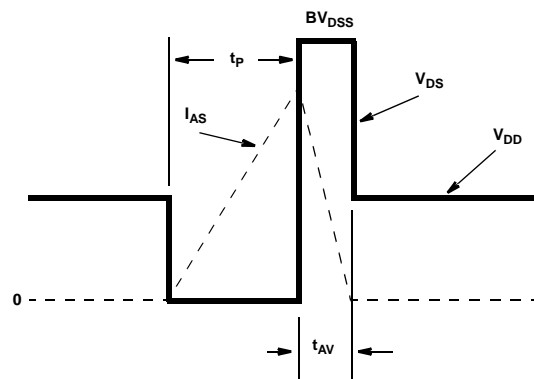


Figure 16. Unclamped Energy Waveforms

Test Circuits and Waveforms (Continued)

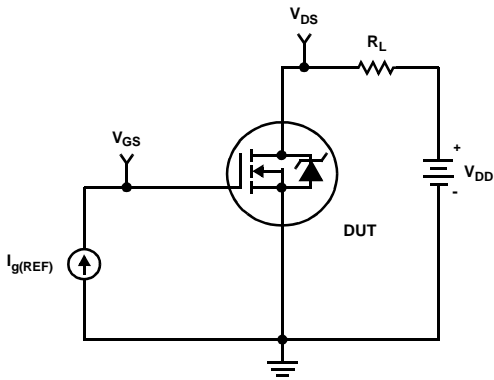


Figure 17. Gate Charge Test Circuit

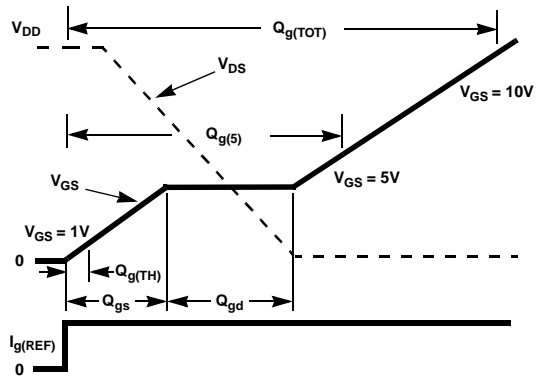


Figure 18. Gate Charge Waveforms

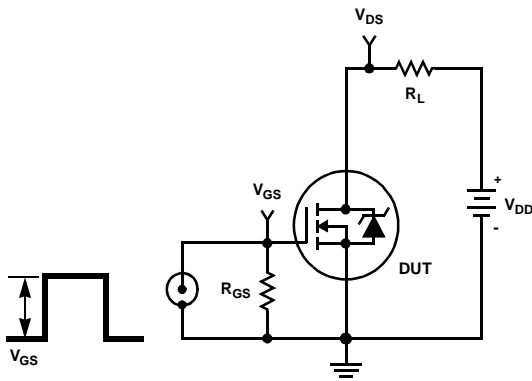


Figure 19. Switching Time Test Circuit

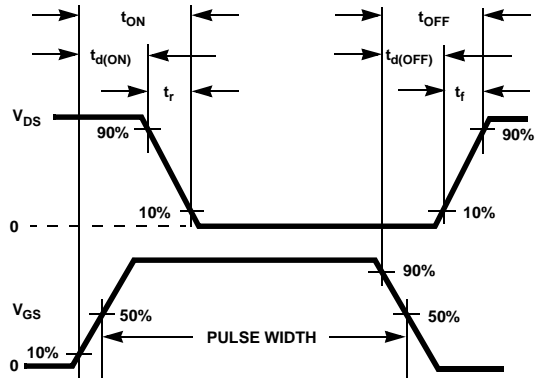


Figure 20. Switching Time Waveforms

### Thermal Resistance vs. Mounting Pad Area

The maximum rated junction temperature,  $T_{JM}$ , and the thermal resistance of the heat dissipating path determines the maximum allowable device power dissipation,  $P_{DM}$ , in an application. Therefore the application's ambient temperature,  $T_A$  ( $^{\circ}\text{C}$ ), and thermal resistance  $R_{\theta JA}$  ( $^{\circ}\text{C}/\text{W}$ ) must be reviewed to ensure that  $T_{JM}$  is never exceeded. Equation 1 mathematically represents the relationship and serves as the basis for establishing the rating of the part.

$$P_{DM} = \frac{(T_{JM} - T_A)}{Z_{\theta JA}} \quad (\text{EQ. 1})$$

In using surface mount devices such as the TO-263 package, the environment in which it is applied will have a significant influence on the part's current and maximum power dissipation ratings. Precise determination of  $P_{DM}$  is complex and influenced by many factors:

1. Mounting pad area onto which the device is attached and whether there is copper on one side or both sides of the board.
2. The number of copper layers and the thickness of the board.
3. The use of external heat sinks.
4. The use of thermal vias.
5. Air flow and board orientation.
6. For non steady state applications, the pulse width, the duty cycle and the transient thermal response of the part, the board and the environment they are in.

Fairchild provides thermal information to assist the designer's preliminary application evaluation. Figure 21 defines the  $R_{\theta JA}$  for the device as a function of the top copper (component side) area. This is for a horizontally positioned FR-4 board with 1oz copper after 1000 seconds of steady state power with no air flow. This graph provides the necessary information for calculation of the steady state junction temperature or power dissipation. Pulse applications can be evaluated using the Fairchild device Spice thermal model or manually utilizing the normalized maximum transient thermal impedance curve.

Displayed on the curve are  $R_{\theta JA}$  values listed in the Electrical Specifications table. The points were chosen to depict the compromise between the copper board area, the thermal resistance and ultimately the power dissipation,  $P_{DM}$ .

Thermal resistances corresponding to other copper areas can be obtained from Figure 21 or by calculation using Equation 2.  $R_{\theta JA}$  is defined as the natural log of the area times a coefficient added to a constant. The area, in square inches is the top copper area including the gate and source pads.

$$R_{\theta JA} = 26.51 + \frac{19.84}{(0.262 + Area)} \quad (\text{EQ. 2})$$

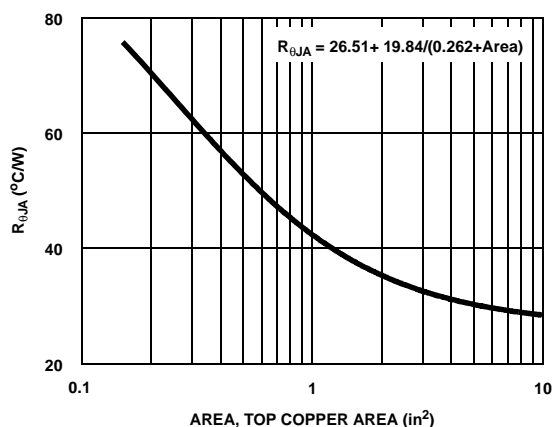


Figure 21. Thermal Resistance vs Mounting Pad Area

**PSPICE Electrical Model**

.SUBCKT ISL9N304AP3 2 1 3 ;rev June 2001  
 CA 12 8 3.3e-9  
 Cb 15 14 2.8e-9  
 Cin 6 8 3.68e-9

Dbody 7 5 DbodyMOD  
 Dbreak 5 11 DbreakMOD  
 Dplcap 10 5 DplcapMOD

Ebreak 11 7 17 18 32  
 Eds 14 8 5 8 1  
 Egs 13 8 6 8 1  
 Esg 6 10 6 8 1  
 Evthres 6 21 19 8 1  
 Evtemp 20 6 18 22 1

It 8 17 1

Lgate 1 9 5.61e-9  
 Ldrain 2 5 1.0e-9  
 Lsource 3 7 1.98e-9

RLgate 1 9 56.1  
 RLdrain 2 5 10  
 RLsource 3 7 19.8

Mmed 16 6 8 8 MmedMOD  
 Mstro 16 6 8 8 MstroMOD  
 Mweak 16 21 8 8 MweakMOD

Rbreak 17 18 RbreakMOD 1  
 Rdrain 50 16 RdrainMOD 0.5e-3  
 Rgate 9 20 2.31  
 RSLC1 5 51 RSLCMOD 1e-6  
 RSLC2 5 50 1e3  
 Rsource 8 7 RsourceMOD 2.6e-3  
 Rvthres 22 8 RvthresMOD 1  
 Rvtemp 18 19 RvtempMOD 1  
 S1a 6 12 13 8 S1AMOD  
 S1b 13 12 13 8 S1BMOD  
 S2a 6 15 14 13 S2AMOD  
 S2b 13 15 14 13 S2BMOD

Vbat 22 19 DC 1

ESLC 51 50 VALUE={{(V(5,51)/ABS(V(5,51)))\*(PWR(V(5,51)/(1e-6\*500),3))}}

.MODEL DbodyMOD D (IS=4e-11 N=1.04 RS=2.3e-3 TRS1=2e-3 TRS2=1e-6 + CJO=1.85e-9 M=0.51 TT=5e-11 XTl=1)

.MODEL DbreakMOD D (RS=0.38 TRS1=2e-3 TRS2=-8.9e-6)

.MODEL DplcapMOD D (CJO=1.45e-9 IS=1e-30 N=10 M=0.47)

.MODEL MstroMOD NMOS (VTO=2.02 KP=200 IS=1e-30 N=10 TOX=1 L=1u W=1u)

.MODEL MmedMOD NMOS (VTO=1.55 KP=5 IS=1e-30 N=10 TOX=1 L=1u W=1u RG=2.31)

.MODEL MweakMOD NMOS (VTO=1.31 KP=0.1 IS=1e-30 N=10 TOX=1 L=1u W=1u RG=23.1 RS=0.1)

.MODEL RbreakMOD RES (TC1=1e-3 TC2=-7e-7)

.MODEL RdrainMOD RES (TC1=1.7e-2 TC2=4.7e-5)

.MODEL RSLCMOD RES (TC1=4.6e-3 TC2=5e-6)

.MODEL RsourceMOD RES (TC1=1e-3 TC2=1e-6)

.MODEL RvthresMOD RES (TC1=-2.9e-3 TC2=-8e-6)

.MODEL RvtempMOD RES (TC1=-1.4e-3 TC2=1e-6)

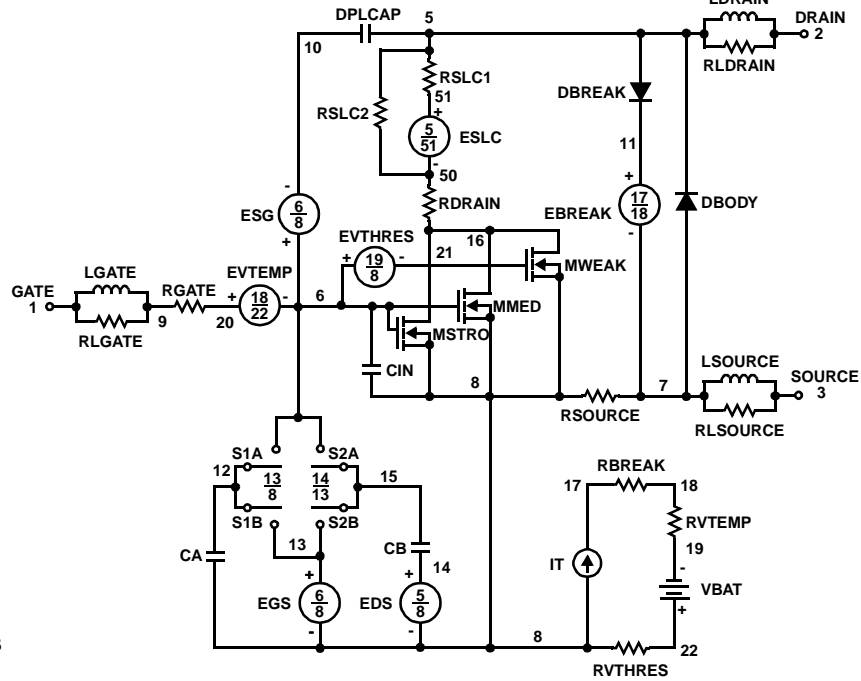
.MODEL S1AMOD VSWITCH (RON=1e-5 ROFF=0.1 VON=-6 VOFF=-3)

.MODEL S1BMOD VSWITCH (RON=1e-5 ROFF=0.1 VON=-3 VOFF=-6)

.MODEL S2AMOD VSWITCH (RON=1e-5 ROFF=0.1 VON=-0.4 VOFF=0.1)

.MODEL S2BMOD VSWITCH (RON=1e-5 ROFF=0.1 VON=0.1 VOFF=-0.4)

.ENDS



Note: For further discussion of the PSPICE model, consult **A New PSPICE Sub-Circuit for the Power MOSFET Featuring Global Temperature Options**; IEEE Power Electronics Specialist Conference Records, 1991, written by William J. Hepp and C. Frank Wheatley.



### SABER Electrical Model

REV June 2001

template ISL9N304AP3 n2,n1,n3

electrical n2,n1,n3

{

var i iscl

dp..model dbodymod = (isl=4e-11,nl=1.04,rs=2.3e-3,trs1=2e-3,trs2=1e-6,cjo=1.85e-9,m=0.51,tt=5e-11,xti=1)

dp..model dbreakmod = (rs=0.38,trs1=2e-3,trs2=-8.9e-6)

dp..model dplcapmod = (cjo=1.45e-9,isl=10e-30,nl=10,m=0.47)

m..model mstrongmod = (type=\_n,vto=2.02,kp=200,is=1e-30,tox=1)

m..model mmedmod = (type=\_n,vto=1.55,kp=5,is=1e-30,tox=1)

m..model mweakmod = (type=\_n,vto=1.31,kp=0.1,is=1e-30,tox=1,rs=0.1)

sw\_vcsp..model s1amod = (ron=1e-5,roff=0.1,von=-6,voff=-3)

sw\_vcsp..model s1bmod = (ron=1e-5,roff=0.1,von=-3,voff=-6)

sw\_vcsp..model s2amod = (ron=1e-5,roff=0.1,von=-0.4,voff=0.1)

sw\_vcsp..model s2bmod = (ron=1e-5,roff=0.1,von=0.1,voff=-0.4)

c.ca n12 n8 = 3.3e-9

c.cb n15 n14 = 2.8e-9

c.cin n6 n8 = 3.68e-9

dp.dbody n7 n5 = model=dbodymod

dp.dbreak n5 n11 = model=dbreakmod

dp.dplcap n10 n5 = model=dplcapmod

spe.ebreak n11 n7 n17 n18 = 32

spe.eds n14 n8 n5 n8 = 1

spe.egs n13 n8 n6 n8 = 1

spe.esg n6 n10 n6 n8 = 1

spe.evthres n6 n21 n19 n8 = 1

spe.evtemp n20 n6 n18 n22 = 1

i.it n8 n17 = 1

l.lgate n1 n9 = 5.61e-9

l.ldrain n2 n5 = 1.0e-9

l.lsource n3 n7 = 1.98e-9

res.rlgate n1 n9 = 56.1

res.rldrain n2 n5 = 10

res.rlsource n3 n7 = 19.8

m.mmed n16 n6 n8 n8 = model=mmedmod, l=1u, w=1u

m.mstrong n16 n6 n8 n8 = model=mstrongmod, l=1u, w=1u

m.mweak n16 n21 n8 n8 = model=mweakmod, l=1u, w=1u

res.rbreak n17 n18 = 1, tc1=1e-3,tc2=-7e-7

res.rdrain n50 n16 = 0.5e-3, tc1=1.7e-2,tc2=4.7e-5

res.rgate n9 n20 = 2.31

res.rslc1 n5 n51 = 1e-6, tc1=4.6e-3,tc2=5e-6

res.rslc2 n5 n50 = 1e3

res.rsource n8 n7 = 2.6e-3, tc1=1e-3,tc2=1e-6

res.rvthres n22 n8 = 1, tc1=-2.9e-3,tc2=-8e-6

res.rvtemp n18 n19 = 1, tc1=-1.4e-3,tc2=1e-6

sw\_vcsp.s1a n6 n12 n13 n8 = model=s1amod

sw\_vcsp.s1b n13 n12 n13 n8 = model=s1bmod

sw\_vcsp.s2a n6 n15 n14 n13 = model=s2amod

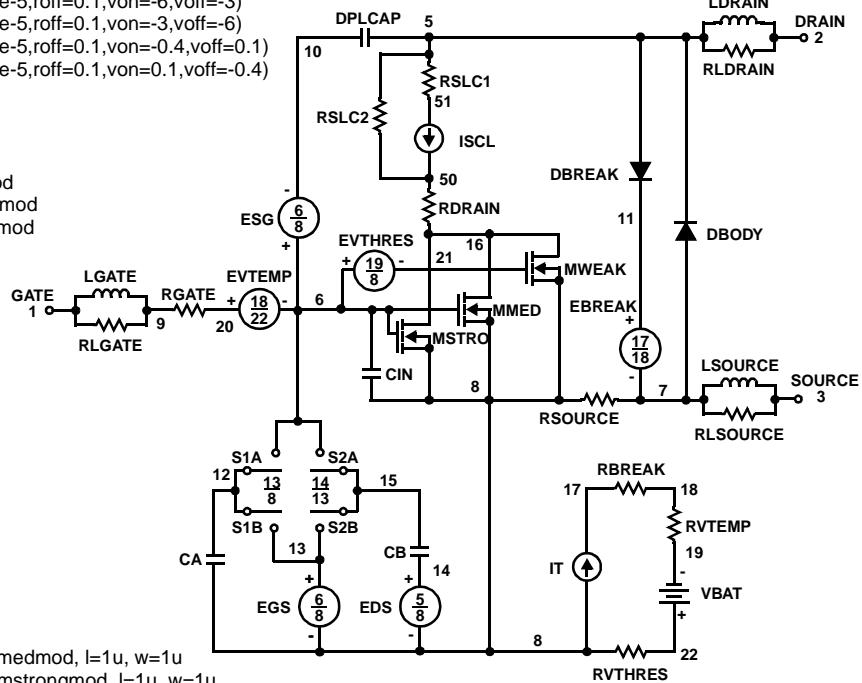
sw\_vcsp.s2b n13 n15 n14 n13 = model=s2bmod

v.vbat n22 n19 = dc=1

equations {

i (n51->n50) +=iscl

iscl: v(n51,n50) = (((v(n5,n51))/(1e-9+abs(v(n5,n51))))\*((abs(v(n5,n51))\*1e6/500)\*\* 3))



**SPICE Thermal Model**

REV June 2001

ISL9N304AP3

CTHERM1 TH 6 3e-4  
 CTHERM2 6 5 3.5e-3  
 CTHERM3 5 4 6.5e-3  
 CTHERM4 4 3 7.5e-3  
 CTHERM5 3 2 7.6e-3  
 CTHERM6 2 TL 3e-2

RTHERM1 TH 6 1e-4  
 RTHERM2 6 5 6e-3  
 RTHERM3 5 4 3e-2  
 RTHERM4 4 3 9.5e-2  
 RTHERM5 3 2 2.9e-1  
 RTHERM6 2 TL 4.5e-1

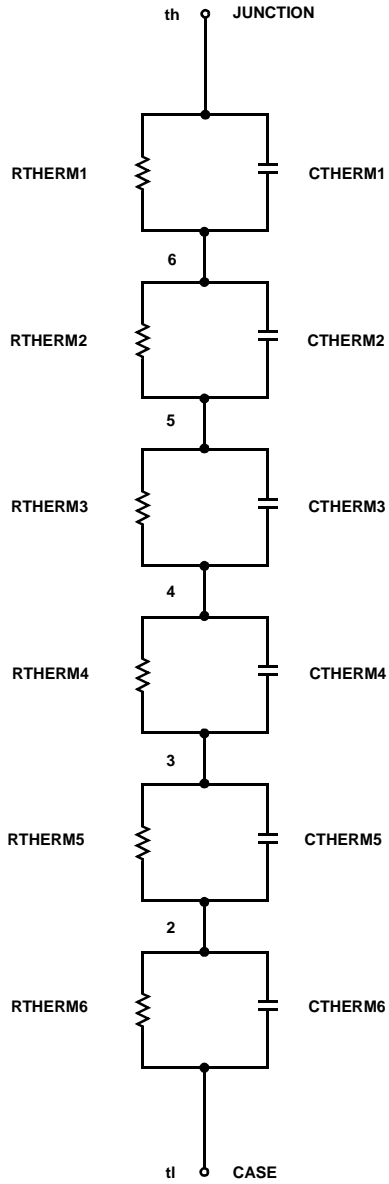
**SABER Thermal Model**

SABER thermal model ISL9N304AP3

template thermal\_model th tl  
 thermal\_c th, tl

```
{
ctherm.ctherm1 th 6 =3e-4
ctherm.ctherm2 6 5 =3.5e-3
ctherm.ctherm3 5 4 =6.5e-3
ctherm.ctherm4 4 3 =7.5e-3
ctherm.ctherm5 3 2 =7.6e-3
ctherm.ctherm6 2 tl =3e-2
```

```
rtherm.rtherm1 th 6 =1e-4
rtherm.rtherm2 6 5 =6e-3
rtherm.rtherm3 5 4 =3e-2
rtherm.rtherm4 4 3 =9.5e-2
rtherm.rtherm5 3 2 =2.9e-1
rtherm.rtherm6 2 tl =4.5e-1
}
```



## TRADEMARKS

The following are registered and unregistered trademarks Fairchild Semiconductor owns or is authorized to use and is not intended to be an exhaustive list of all such trademarks.

|                                   |                                  |                                  |                              |                   |
|-----------------------------------|----------------------------------|----------------------------------|------------------------------|-------------------|
| ACE <sub>x</sub> <sup>TM</sup>    | FAST <sup>®</sup>                | OPTOLOGIC <sup>TM</sup>          | SMART START <sup>TM</sup>    | VCX <sup>TM</sup> |
| Bottomless <sup>TM</sup>          | FAST <sub>r</sub> <sup>TM</sup>  | OPTOPLANAR <sup>TM</sup>         | STAR*POWER <sup>TM</sup>     |                   |
| CoolFET <sup>TM</sup>             | FRFET <sup>TM</sup>              | PACMAN <sup>TM</sup>             | Stealth <sup>TM</sup>        |                   |
| CROSSVOLT <sup>TM</sup>           | GlobalOptoisolator <sup>TM</sup> | POP <sup>TM</sup>                | SuperSOT <sup>TM</sup> -3    |                   |
| DenseTrench <sup>TM</sup>         | GTO <sup>TM</sup>                | Power247 <sup>TM</sup>           | SuperSOT <sup>TM</sup> -6    |                   |
| DOMET <sup>TM</sup>               | HiSeC <sup>TM</sup>              | PowerTrench <sup>®</sup>         | SuperSOT <sup>TM</sup> -8    |                   |
| EcoSPARK <sup>TM</sup>            | ISOPLANAR <sup>TM</sup>          | QFET <sup>TM</sup>               | SyncFET <sup>TM</sup>        |                   |
| E <sup>2</sup> CMOS <sup>TM</sup> | LittleFET <sup>TM</sup>          | QS <sup>TM</sup>                 | TinyLogic <sup>TM</sup>      |                   |
| EnSigna <sup>TM</sup>             | MicroFET <sup>TM</sup>           | QT Optoelectronics <sup>TM</sup> | TruTranslation <sup>TM</sup> |                   |
| FACT <sup>TM</sup>                | MicroPak <sup>TM</sup>           | Quiet Series <sup>TM</sup>       | UHC <sup>TM</sup>            |                   |
| FACT Quiet Series <sup>TM</sup>   | MICROWIRE <sup>TM</sup>          | SILENT SWITCHER <sup>®</sup>     | UltraFET <sup>®</sup>        |                   |

STAR\*POWER is used under license

## DISCLAIMER

FAIRCHILD SEMICONDUCTOR RESERVES THE RIGHT TO MAKE CHANGES WITHOUT FURTHER NOTICE TO ANY PRODUCTS HEREIN TO IMPROVE RELIABILITY, FUNCTION OR DESIGN. FAIRCHILD DOES NOT ASSUME ANY LIABILITY ARISING OUT OF THE APPLICATION OR USE OF ANY PRODUCT OR CIRCUIT DESCRIBED HEREIN; NEITHER DOES IT CONVEY ANY LICENSE UNDER ITS PATENT RIGHTS, NOR THE RIGHTS OF OTHERS.

## LIFE SUPPORT POLICY

FAIRCHILD'S PRODUCTS ARE NOT AUTHORIZED FOR USE AS CRITICAL COMPONENTS IN LIFE SUPPORT DEVICES OR SYSTEMS WITHOUT THE EXPRESS WRITTEN APPROVAL OF FAIRCHILD SEMICONDUCTOR CORPORATION.

As used herein:

1. Life support devices or systems are devices or systems which, (a) are intended for surgical implant into the body, or (b) support or sustain life, or (c) whose failure to perform when properly used in accordance with instructions for use provided in the labeling, can be reasonably expected to result in significant injury to the user.
2. A critical component is any component of a life support device or system whose failure to perform can be reasonably expected to cause the failure of the life support device or system, or to affect its safety or effectiveness.

## PRODUCT STATUS DEFINITIONS

### Definition of Terms

| Datasheet Identification | Product Status         | Definition  |
|--------------------------|------------------------|---|
| Advance Information      | Formative or In Design | This datasheet contains the design specifications for product development. Specifications may change in any manner without notice.  |
| Preliminary              | First Production       | This datasheet contains preliminary data, and supplementary data will be published at a later date. Fairchild Semiconductor reserves the right to make changes at any time without notice in order to improve design. |
| No Identification Needed | Full Production        | This datasheet contains final specifications. Fairchild Semiconductor reserves the right to make changes at any time without notice in order to improve design.   |
| Obsolete                 | Not In Production      | This datasheet contains specifications on a product that has been discontinued by Fairchild semiconductor. The datasheet is printed for reference information only.   |