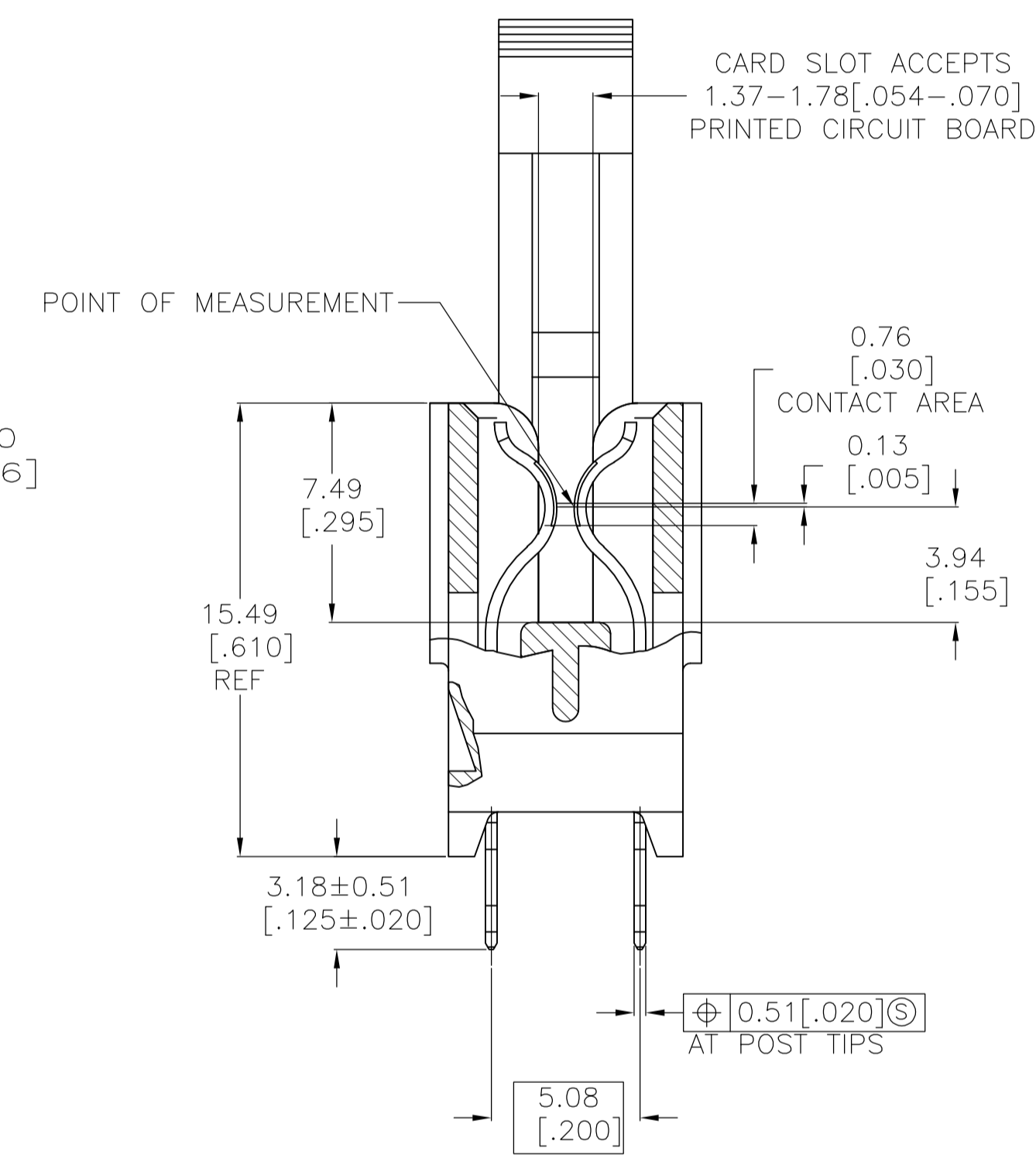
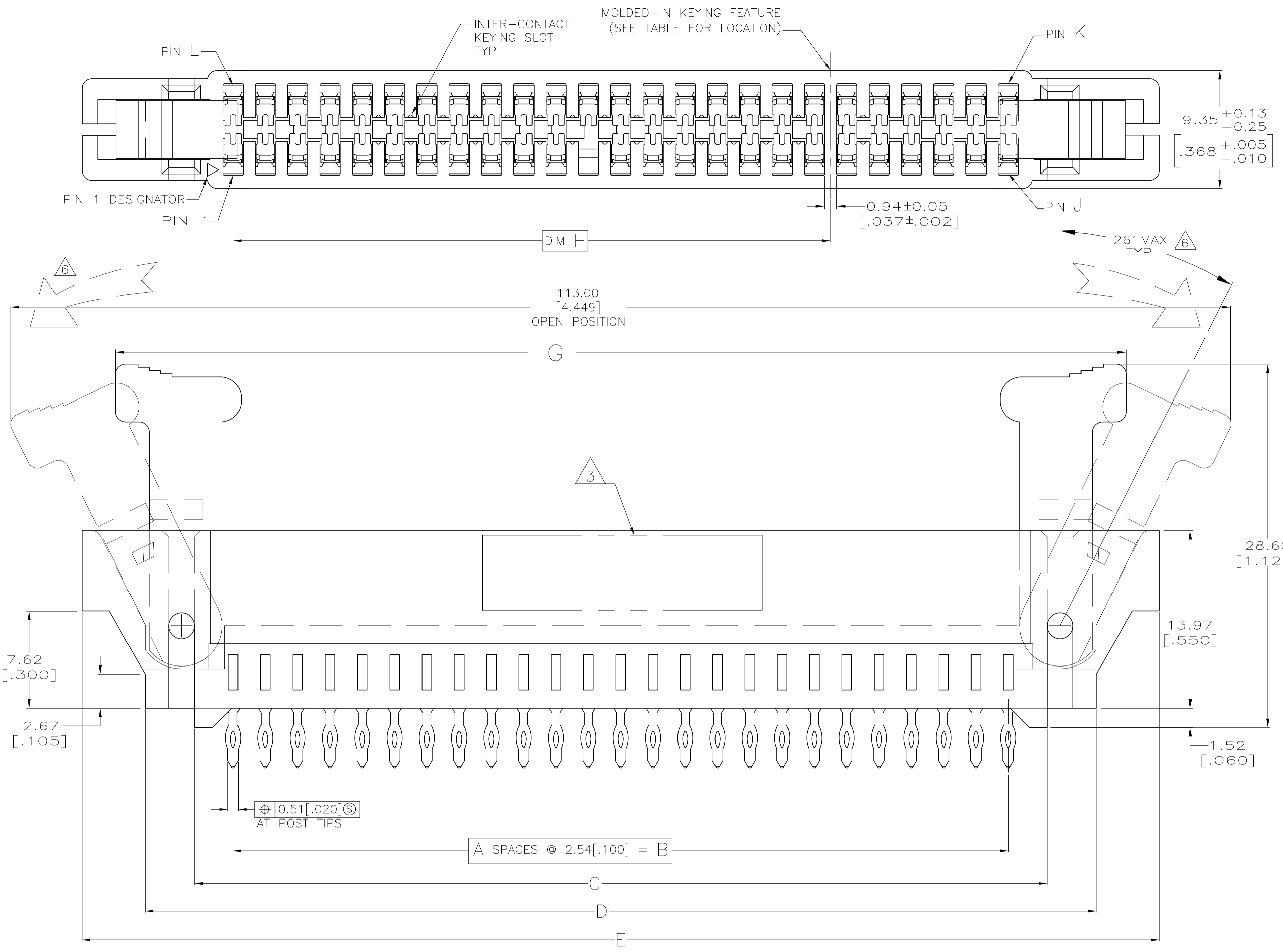


REVISONS		DATE	BY	APPV
AA	00	10NOV09	KK	AEG
B1				



- MATERIAL:**
 HOUSING: GLASS FILLED POLYESTER; COLOR: BLACK.
 CONTACT: PHOS BRONZE
 LATCH: GLASS FILLED POLYESTER; COLOR: BLACK
- FINISH:**
 0.00076 [$.000030$] MIN GOLD PLATE IN CONTACT AREA,
 0.00254 [$.000100$] MIN MATTE TIN ON SOLDER POSTS, ALL
 OVER 0.00127 [$.000050$] MIN NICKEL
- AMP LOGO, TE PART NUMBER, DATE CODE AND CSA LOGO INK STAMPED WHITE (HOT STAMPED OR LAZER PRINTED) IN THE APPROXIMATE AREA SHOWN, EITHER SIDE PERMISSABLE, WHEN HOUSING SIZE PERMITS**
- DATUMS AND BASIC DIMENSIONS ESTABLISHED BY CUSTOMER**
- CONNECTORS SHOWN ARE USED IN APPLICATIONS WITH VRM MODULES WEIGHING 3 OUNCES OR LESS. ALTERNATE CONNECTOR AND LATCH METHOD IS AVAILABLE FOR VRM MODULES WEIGHING UP TO 6 OUNCES.**
- CAUTION: LATCHES ARE INTENDED FOR RETENTION OF PC BOARD TO CONNECTOR. DO NOT ATTEMPT TO FULLY EJECT PC BOARD FROM CONNECTOR WHILE DISENGAGING LATCHES. DAMAGE TO LATCHES AND OR CONNECTOR MAY OCCUR**
- RECOMMENDED FINISHED HOLE SIZES:**
 TIN PLATED HOLE - $\varnothing 1.02 \pm 0.08$ [$\varnothing 0.40 \pm .003$]
 GOLD PLATED - $\varnothing 1.07 \pm 0.05$ [$\varnothing 0.42 \pm .002$]
- OBsolete PARTS: OBsolete CIS STREAMLINING PER D.RENAUD/D.SINISI**

OBsolete	6489648-4
OBsolete	6489648-3
OBsolete	6489648-2
OBsolete	6489648-1

PART NUMBER

	23 & 24	-	70	36	35	57.15	107.26	123.16	110.08	100.18	92.68	86.36	34	35	6489648-6	
8	OBsolete	23 & 24	8	50	26	25	57.15	81.86	97.76	84.68	74.78	67.28	60.96	24	25	6489648-5
		MOLDED-IN KEYING FEATURE LOCATED BETWEEN PINS	OMITTED PIN & HOLE	L	K	J	H	G	F	E	D	C	B	A	NO OF DUAL POSITIONS	PART NUMBER

THIS DRAWING IS A CONTROLLED DOCUMENT.

DIMENSIONS: mm [INCHES]	TOLERANCES UNLESS OTHERWISE SPECIFIED:	DRAWING NO. 108-9039-1	DATE 04MAR2008
0. PLC ± -	1. PLC ± -	2. PLC ± 0.13 [.005]	3. PLC ± -
4. PLC ± -	ANGLES ± 2°	SIZE A1	SCALE 5:1

AWF/L.A.MAYER
A.W.FRANTUM
S.FLICKINGER

APPROVED: S.FLICKINGER

NAME: S.FLICKINGER

PRODUCT SPEC: 108-9039-1

APPLICATION SPEC: 114-13018

WEIGHT: -

CUSTOMER DRAWING

DATE: 04MAR2008

NAME: S.FLICKINGER

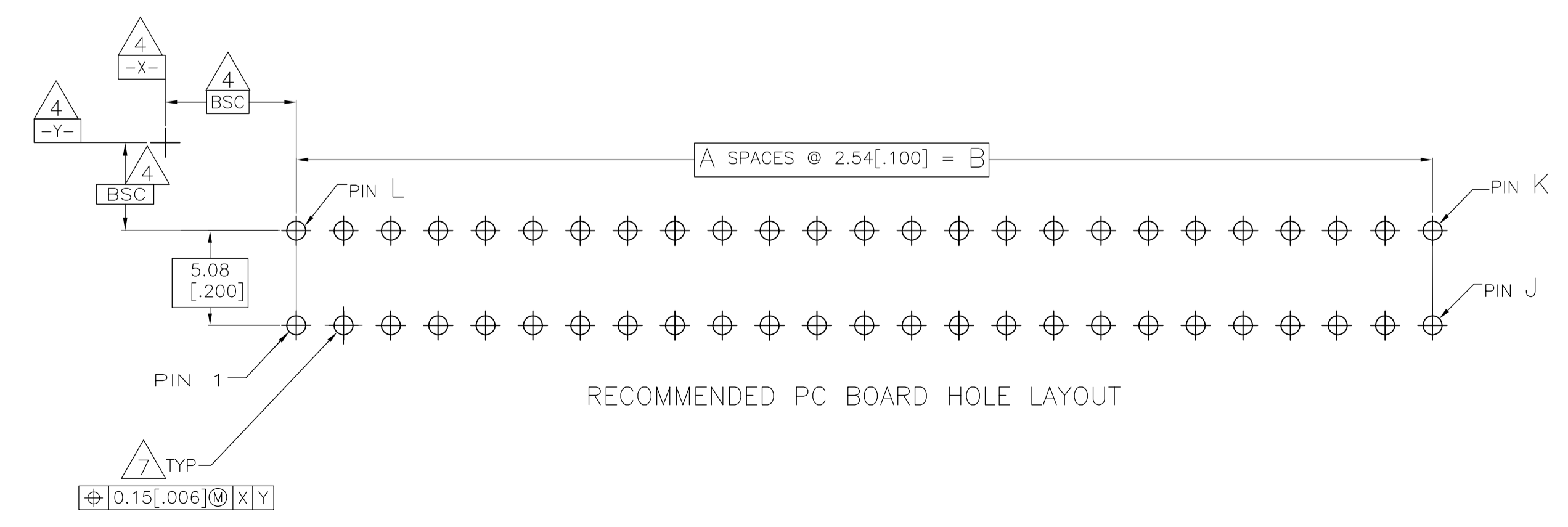
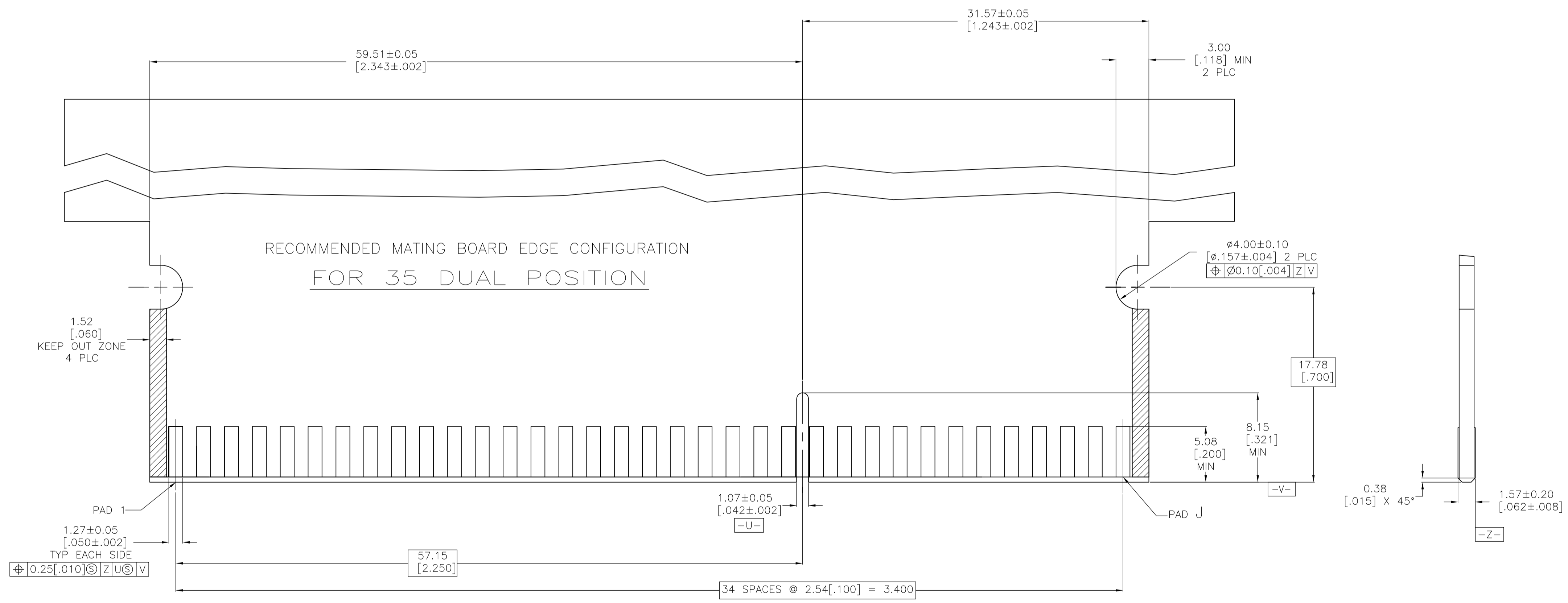
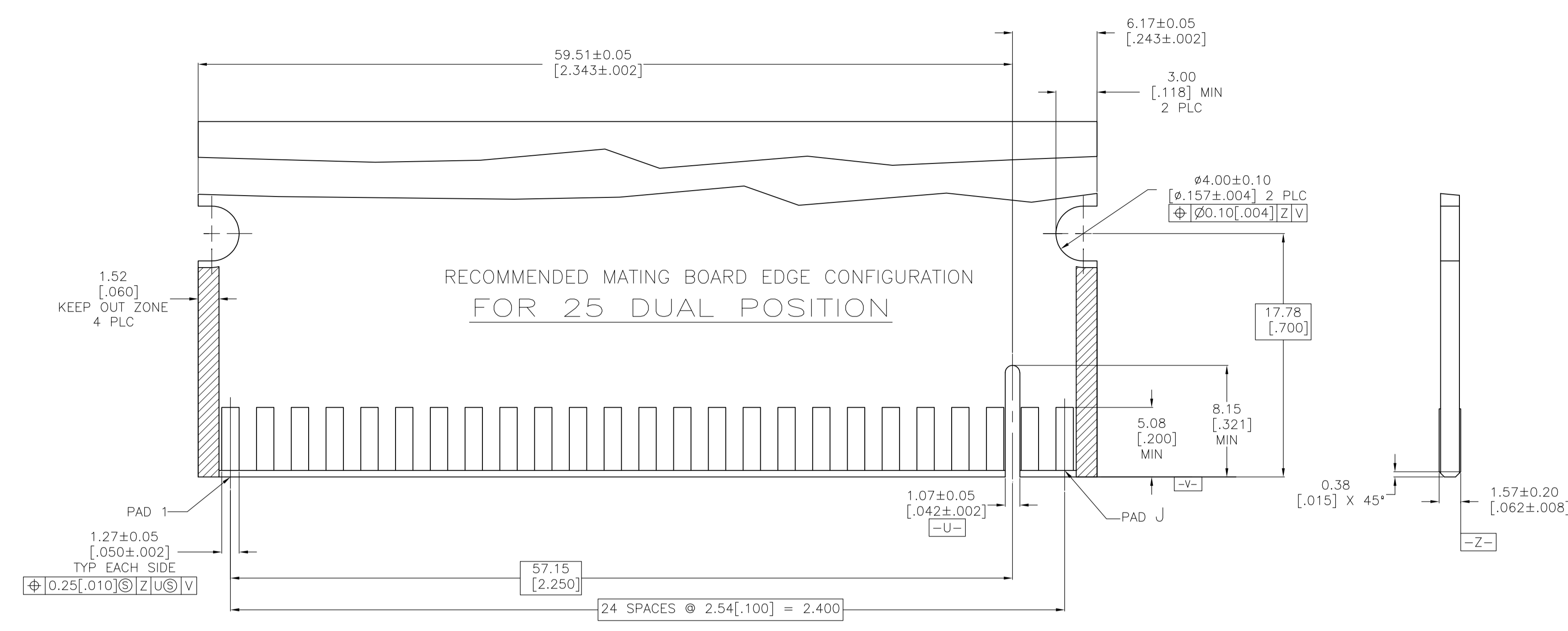
CONNECTION ASSEMBLY, STANDARD EDGE II, DUAL POSITION, 2.54 [.100] CENTERLINE

SIZE: A1

SCALE: 5:1

SHEET: 1 OF 2

REV: B1



THIS DRAWING IS A CONTROLLED DOCUMENT.		DIN	AWF/L.A.MAYER	04MAR2008	Tyco Electronics	Tyco Electronics Corporation Harrisburg, PA 17105-3608	
DIMENSIONS: mm [INCHES]		CHK	A.W.FRANTUM	04MAR2008		NAME	CONNECTOR ASSEMBLY, STANDARD EDGE II, DUAL POSITION, 2.54[.100] CENTERLINE
TOLERANCES UNLESS OTHERWISE SPECIFIED:		APVD	S.FLICKINGER	04MAR2008	PRODUCT SPEC	108-9039-1	
0 PLC ± -		APPLICATION SPEC		114-13018		SIZE	CAGE CODE
1 PLC ± ±		MATERIAL		WEIGHT		A1 00779	
2 PLC ± ± 0.13[.005]		SEE NOTE 1		FINISH		SCALE 5:1	
3 PLC ± ±		SEE NOTE 2		CUSTOMER DRAWING		SHEET 2 OF 2	
4 PLC ± ± 2°						REV B1	