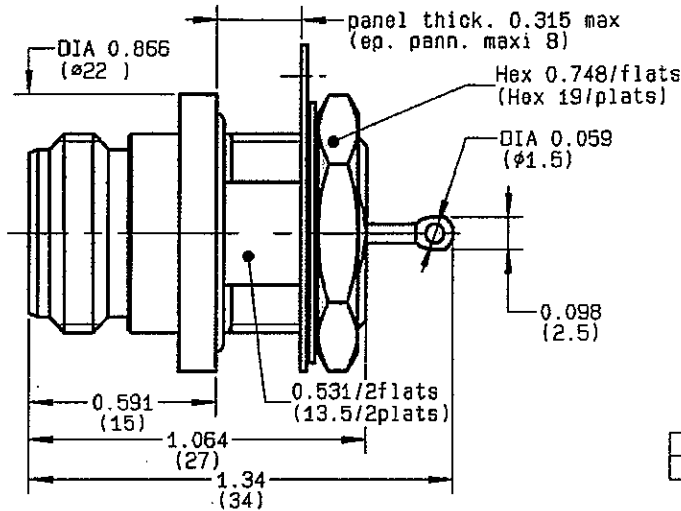


**HERMETICAL BULKHEAD RECEPTACLE  
PANEL SEAL FRONT MOUNTING**

**R161.625.000**  
SERIES **N**



PERCEGE PANNEAU  
MOUNTING HOLE

	MM		INCH	
	maxi	mini	maxi	mini
A	16.1	16	0.634	0.63
B	13.7	13.6	0.539	0.535

NOMINAL IMPEDANCE	<b>50</b> Ω
FREQUENCY RANGE	<b>0-11</b> GHz
TEMPERATURE RATING	<b>-55/+155</b> °C
V.S.W.R	<b>1.30</b> + x F(GHz)Maxi
RF INSERTION LOSS	<b>.048</b> √F(GHz) dB Maxi
VOLTAGE RATING	<b>500</b> Veff Maxi
DIELECTRIC WITHSTANDING VOLTAGE	<b>1500</b> Veff Mini
INSULATION RESISTANCE	<b>5000</b> MΩMini
HERMETIC SEAL	<b>10-6</b> Atm.cm <sup>3</sup> /s
LEAKAGE (pressurized only)	<b>IP 67</b>
MECHANICAL DURABILITY	<b>500</b> Cycles
WEIGHT	<b>36.1</b> gr
SPECIFICATION	

CABLES :

OTHERS CHARACTERISTICS

CABLE RETENTION	<b>NA</b>	N Mini
CENTER CONTACT RETENTION		
Axial force - mating end	<b>27</b>	N Mini
Axial force - opposite end	<b>27</b>	N Mini
Torque	<b>NA</b>	cm.N Mini
RECOMMENDED TORQUES		
Mating	<b>NA</b>	cm.N
Panel nut	<b>500</b>	cm.N
Clamp nut	<b>NA</b>	cm.N

CONNECTOR PARTS:	MATERIALS	FINISH	(all values are given in micrometers)
BODY	BRASS	BBR 2	
OUTER CONTACT	BRASS	BBR 2	
CENTER CONTACT	BERYLLIUM COPPER	GOLD 0.5 OVER NICKEL 2	
INSULATOR	PTFE	-	
GASKET	SILICONE RUBBER	-	
OTHERS PIECES	BRASS	BBR 2	

BONCASA.MI

ISSUE  
**0504 D00**

CREATION DATE  
**19-APR-93**

FILE PART-NUMBER  
**EPC 96-07**



**RADIALL®**

The information given here is subject to change without notice. Design changes may be in order to improve the product.

Connect to the future