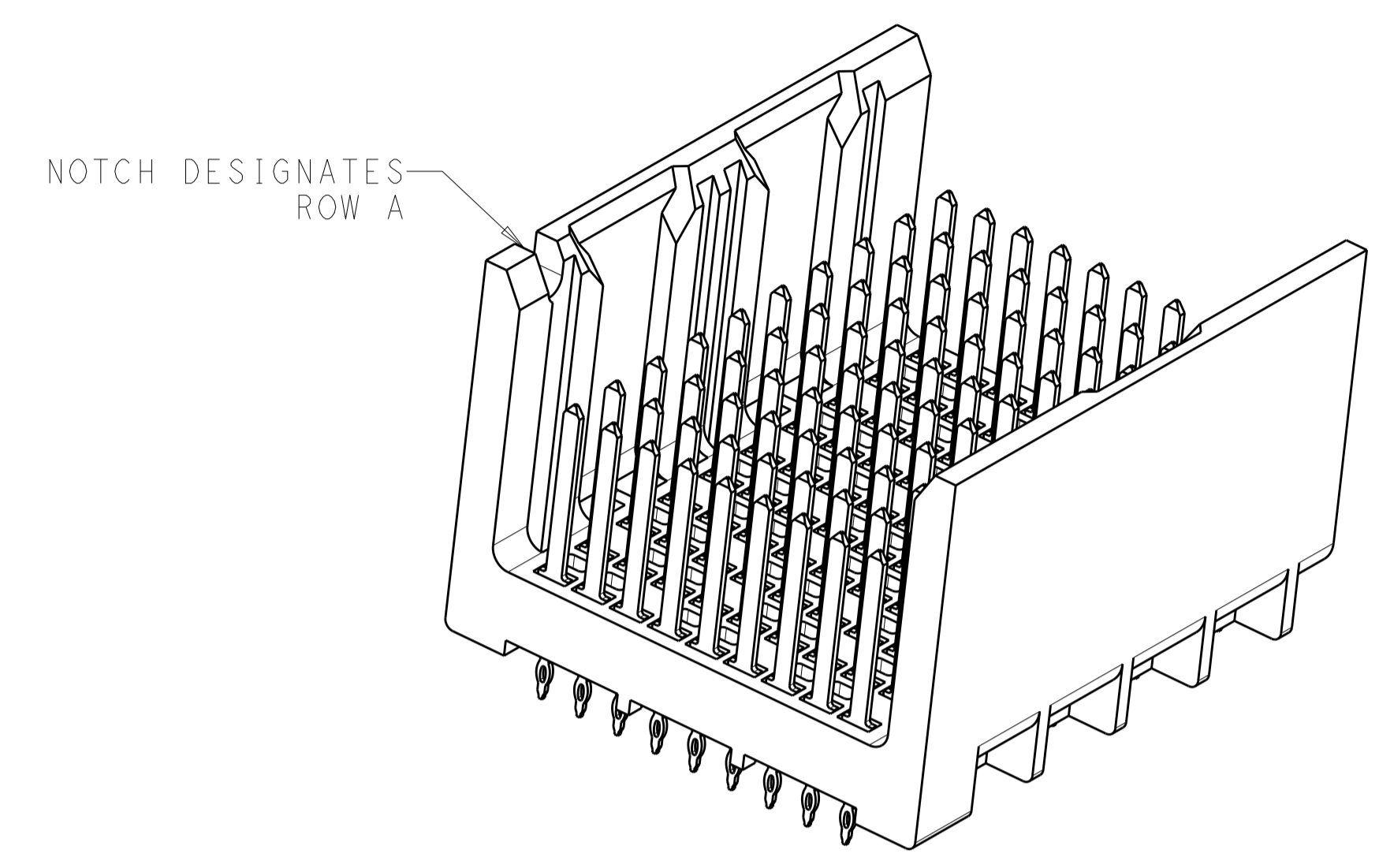
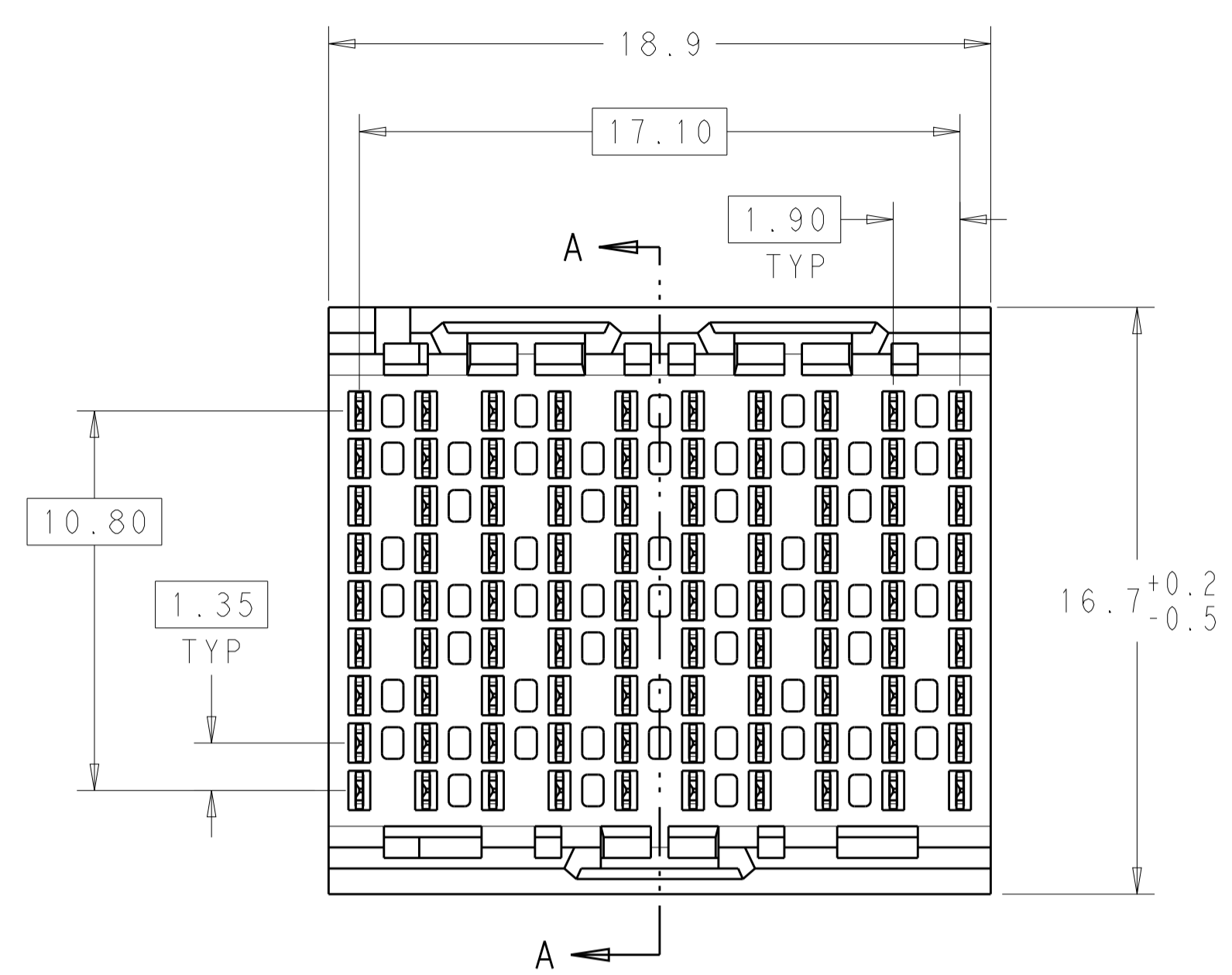
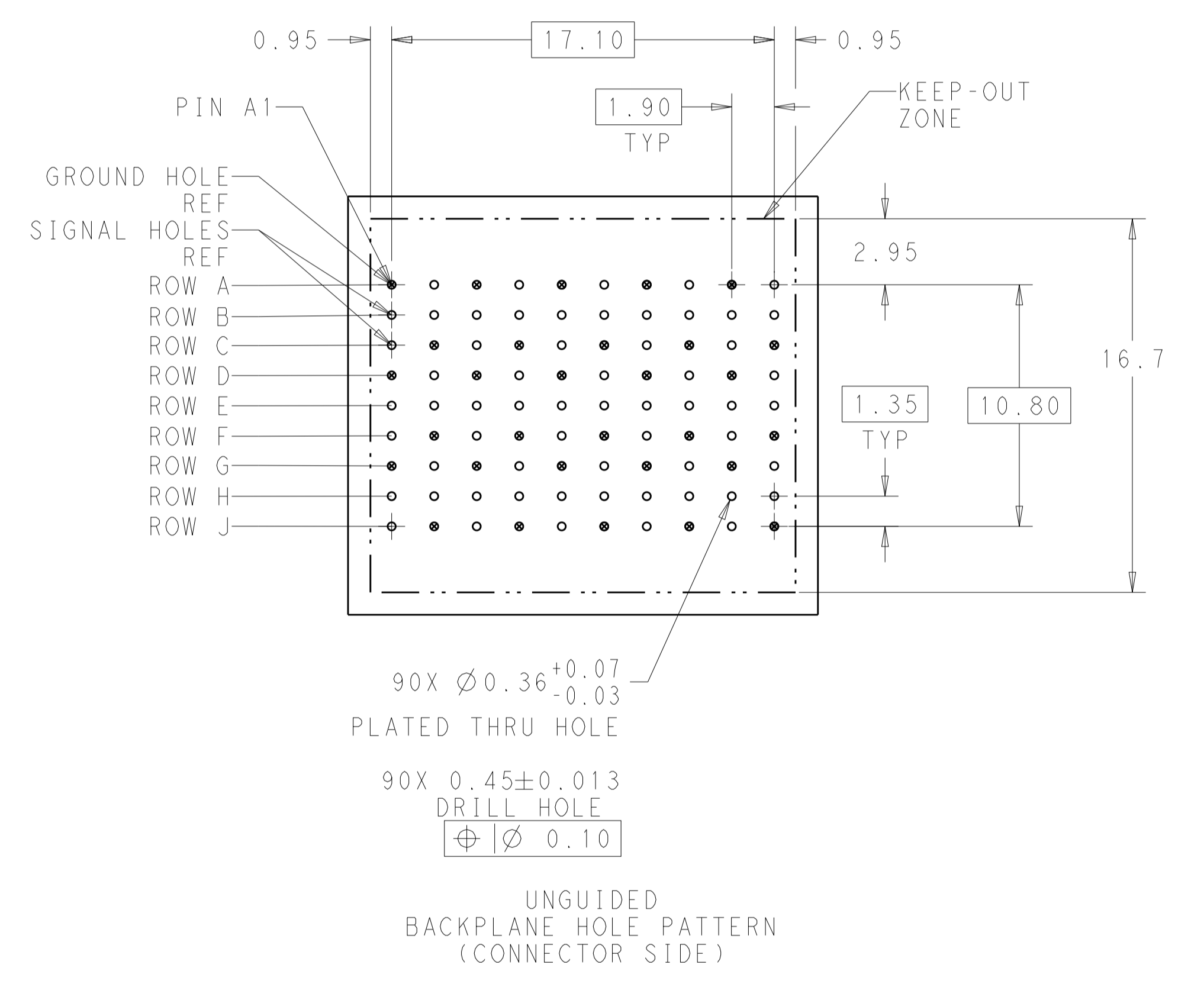
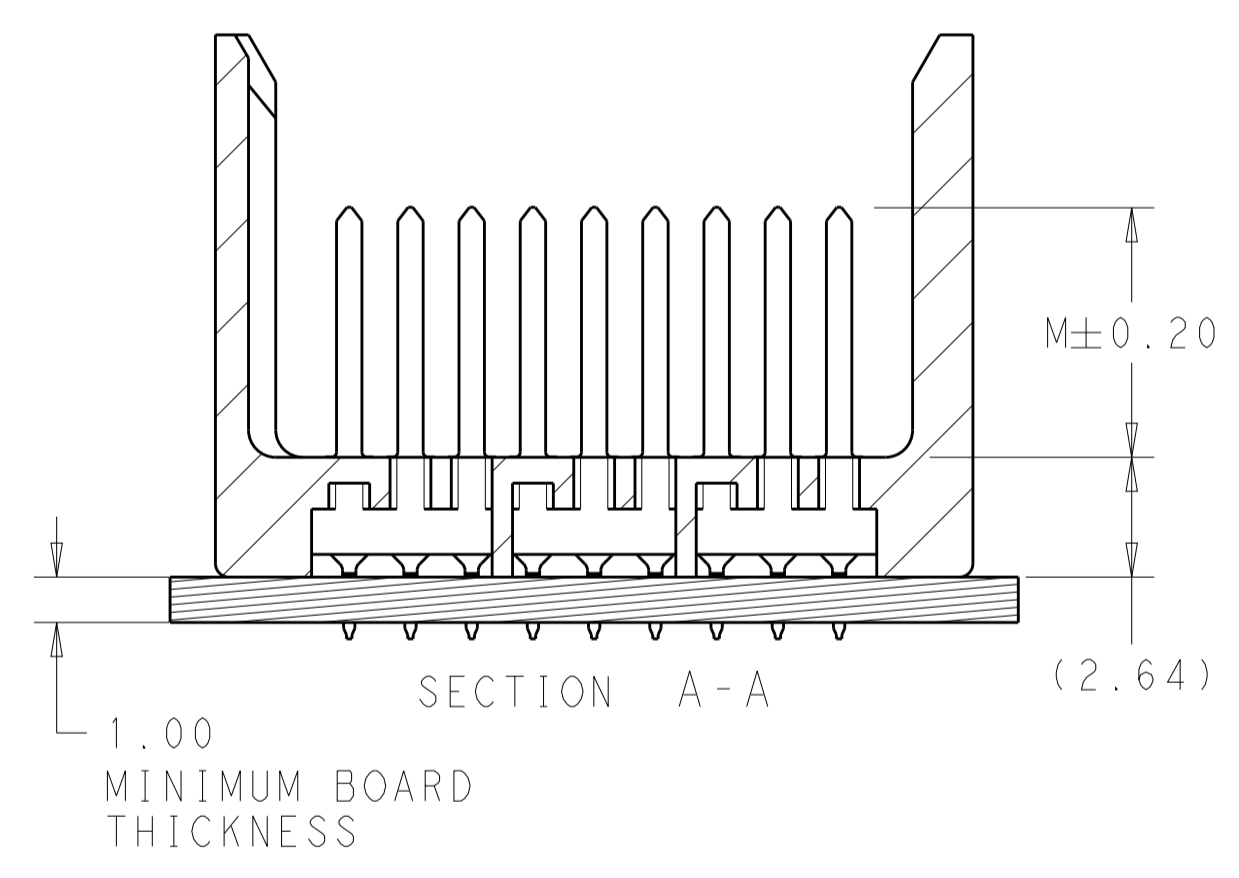
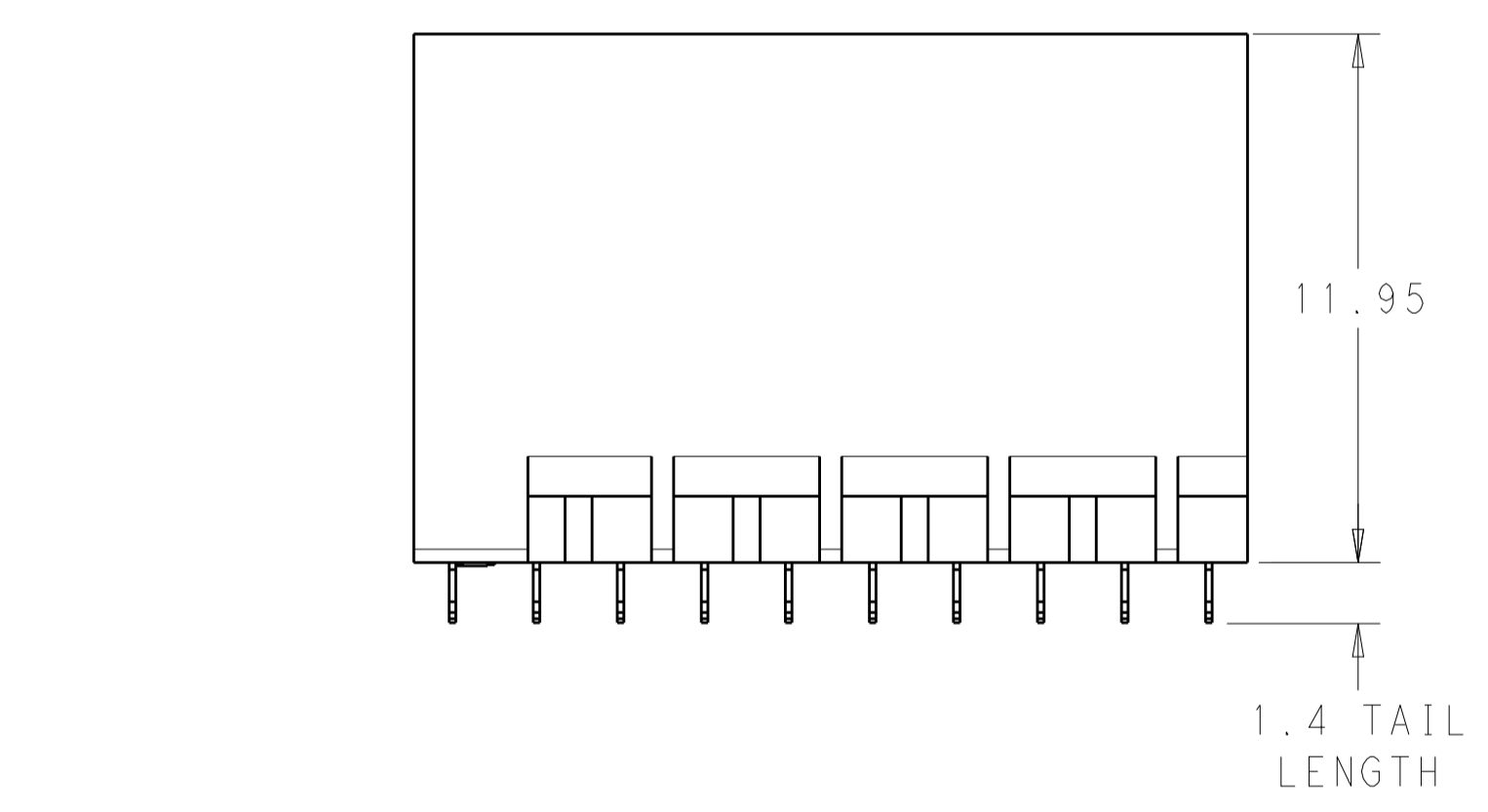


LOC	DIST	REVISIONS			
P	LTN	DESCRIPTION	DATE	DMN	APVD
E1		REVISED PER ECO-17-008265	19MAY2017	A. S.	S. Y.



⚠ MATERIAL:
HOUSING: LCP, GLASS FILLED, UL94V-0.
TERMINALS: HIGH PERFORMANCE COPPER ALLOY.

⚠ FINISH:
30μ" MIN GOLD IN CONTACT AREA. SELECTIVE TIN ON PCB TAILS, NICKEL OVERALL.



⚠	5.5	2007788-6
⚠	4.9	2007788-5
⚠	4.5	2007788-4
⚠	5.5	2007788-3
⚠	4.9	2007788-2
⚠	4.5	2007788-1
FINISH	DIM M	PART NUMBER

REFER TO WWW.TE.COM FOR PRODUCT AVAILABILITY

THIS DRAWING IS A CONTROLLED DOCUMENT.		DMN J. K. SHOBER 23DECT11										
DIMENSIONS: mm		CHK J. EARY 23DECT11										
TOLERANCES UNLESS OTHERWISE SPECIFIED:		APVD J. EARY 23DECT11	IMPACT, 3 PAIR, 10 COLUMN, HEADER UNGUIDED, OPEN END WALL SIGNAL MODULE, 0.36 PTH									
<table border="1"> <tr><td>0 PLC</td><td>±</td></tr> <tr><td>1 PLC</td><td>±0.25</td></tr> <tr><td>2 PLC</td><td>±0.13</td></tr> <tr><td>3 PLC</td><td>±</td></tr> <tr><td>4 PLC</td><td>±</td></tr> </table>		0 PLC		±	1 PLC	±0.25	2 PLC	±0.13	3 PLC	±	4 PLC	±
0 PLC	±											
1 PLC	±0.25											
2 PLC	±0.13											
3 PLC	±											
4 PLC	±											
<table border="1"> <tr><td>ANGLES</td><td>±</td></tr> </table>		ANGLES	±	APPLICATION SPEC								
ANGLES	±											
MATERIAL SEE TABLE		WEIGHT	SIZE CAGE CODE DRAWING NO. RESTRICTED TO									
FINISH SEE TABLE		CUSTOMER DRAWING	A100779C=2007788									
SCALE 6:1		SHEET 1 OF 1	REV E1									