

Slide Beam0824-096-Blue (Pair)

SKU: 60022 Weight: 42.00 Gram

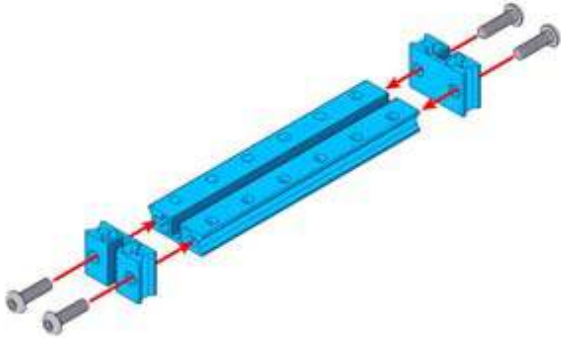
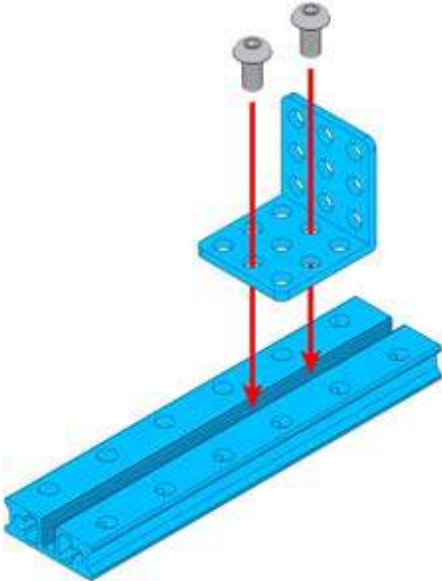
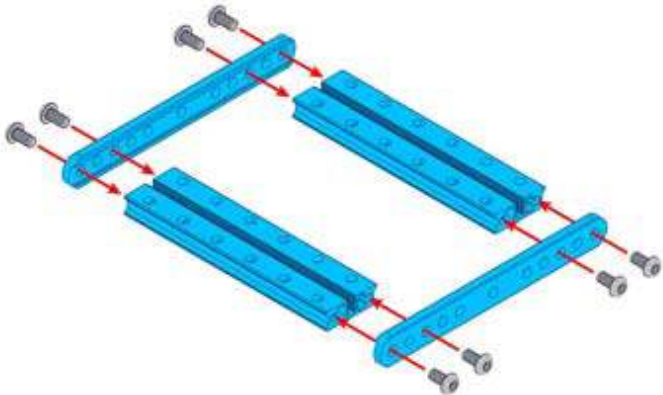
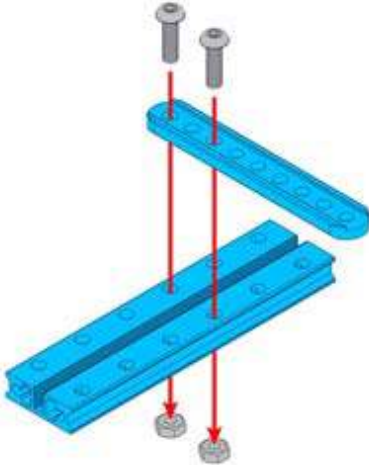
What Is Slide Beam0824-096?

Slide Beam0824-096 is a frequently-used mechanical part of Makeblock platform, and also compatibles with most Makeblock mechanical components. There are various mounting holes and a threaded slot on the plane of this beam which allow you to assemble on other structures easily.

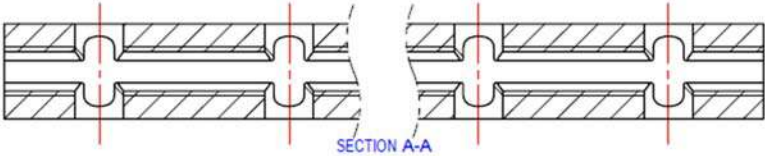
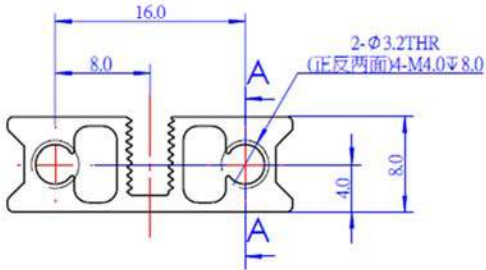
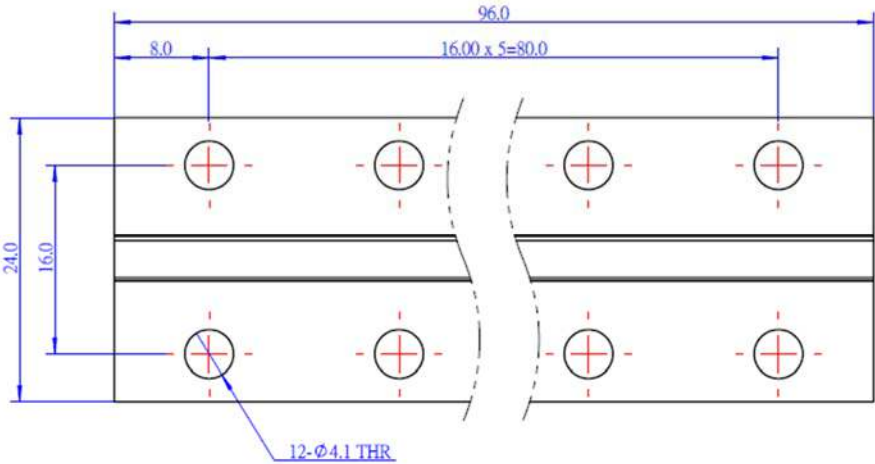
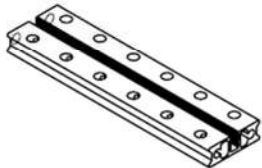
Features

- ? Made from heavy-duty 6061 aluminum extrusion
- ? With holes on 16mm increments, and M4 threaded holes on both ends
- ? Cross-section area 8x24mm, length 96mm
- ? High wear resistance and high intensity
- ? Strong rigidity

DEMO



Size Charts



<https://sketchfab.com/models/383a68c154a74fc8b850466e02fd9b09/embed>

