

# PSD-S OE LED RL ...

LED rotating light element, 24 V AC/DC



Data sheet  
7952\_en\_02

© PHOENIX CONTACT 2012-01-12

## 1 Description

This optical signal element is part of a modular signal tower. According to your requirements, a signal tower may comprise any combination of up to five signal elements. You may use up to five optical signal elements or up to four optical and one audible signal element.

An audible signal element can be used as top element only.

A bayonet locking system establishes the mechanical and electrical connection between the elements.

Connection elements with spring-cage or screw connection can be used for electrical connection of the signal tower.

Mounting elements for base or tube mounting can be used to mount the signal tower.

### Features

- LED rotating light element for 24 V AC/DC
- Colors: red and yellow
- Degree of protection: IP65, when installed or with cover



Make sure you always use the latest documentation.  
It can be downloaded from the product at [www.phoenixcontact.net/catalog](http://www.phoenixcontact.net/catalog).

---

**2 Table of contents**

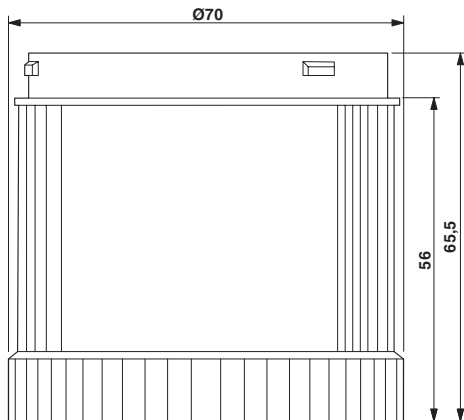
1	Description .....	1
2	Table of contents .....	2
3	Ordering data .....	3
4	Technical data .....	3
5	Example of a signal tower .....	4
6	Assembly notes for a signal tower .....	4
7	Assembling the individual elements.....	5
8	Example for signal tower dimensions .....	5

### 3 Ordering data

Description	Type	Order No.	Pcs. / Pkt.
LED rotating light element, 24 V AC/DC, red	PSD-S OE LED RL RD	2700116	1
LED rotating light element, 24 V AC/DC, yellow	PSD-S OE LED RL YE	2700125	1

### 4 Technical data

#### Dimensions (in mm)



Diameter	70 mm
Height	65.5 mm

#### General data

Material	Polycarbonate PC
Calotte color : PSD-S OE LED RL RD	red
Calotte color : PSD-S OE LED RL YE	yellow
Weight	65 g
Ambient temperature (operation)	-20 °C ... 50 °C
Degree of protection	IP65, when installed or with cover
Mounting position	Any
Connection	Rubber seal pre-installed for each element

#### Electrical data

Input voltage	24 V AC/DC
Inrush current	max. 500 mA
Current consumption	≤ 40 mA
Optical signal type	LED rotating light
Source of light type	LED
Signal frequency	Approx. 2 Hz
Service life, electrical	max. 100,000 h
Operating time	100 %

**Approvals / conformities**

Conformance with EMC Directive 2004/108/EC

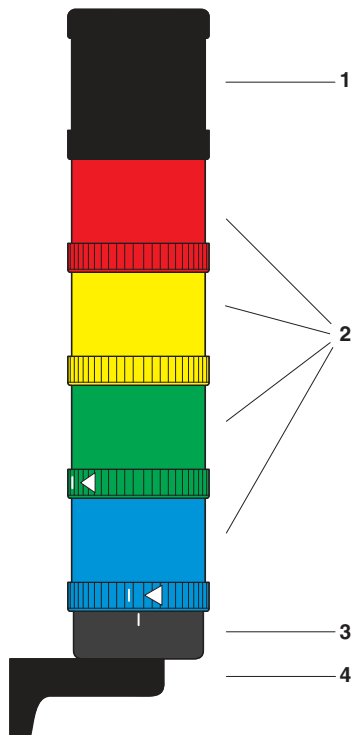
For the latest approvals, please visit [www.phoenixcontact.net/catalog](http://www.phoenixcontact.net/catalog).**5 Example of a signal tower**

Figure 1 Example of a signal tower

Key:

- 1 Audible signal element
- 2 Optical signal element
- 3 Connection element
- 4 Assembly element

**6 Assembly notes for a signal tower**

- Only use a maximum of five elements within a signal tower.
- Use only one audible element in a signal tower and position this element on top.
- When closing the bayonet locking system, observe the markings (see "Assembling the individual elements").

## 7 Assembling the individual elements 8 Example for signal tower dimensions

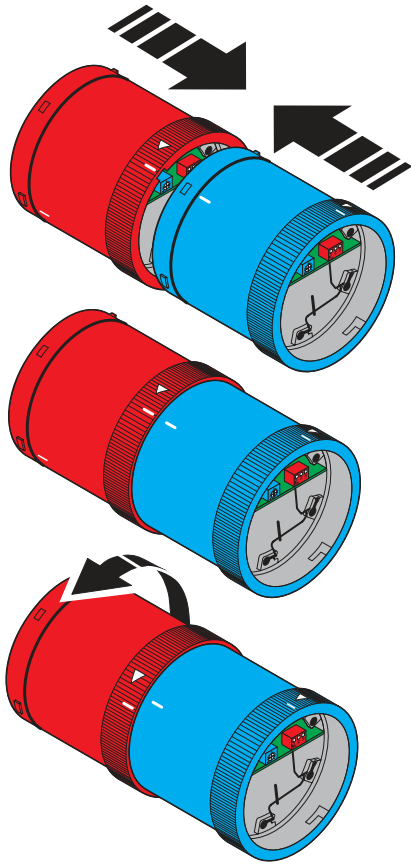


Figure 2 Assembling the individual elements

- Select the elements for your application.
- Connect the elements to be assembled so that the markings are aligned.
- Turn the upper element in the direction of the arrow.

The following figure shows the dimensions of a typical signal tower.

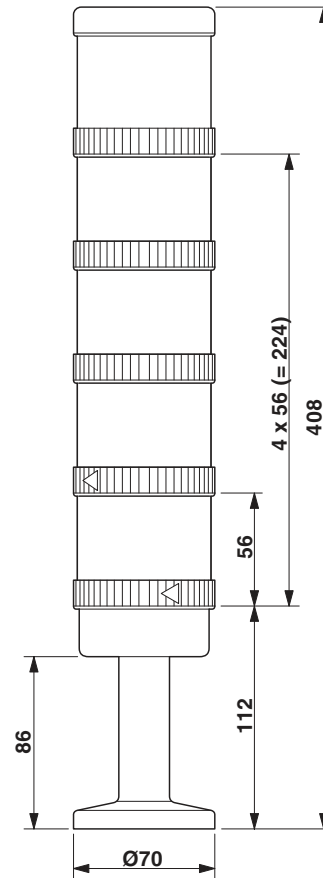


Figure 3 Dimensions of a signal tower (example)