

**NEW**



nano SIM Card Connector

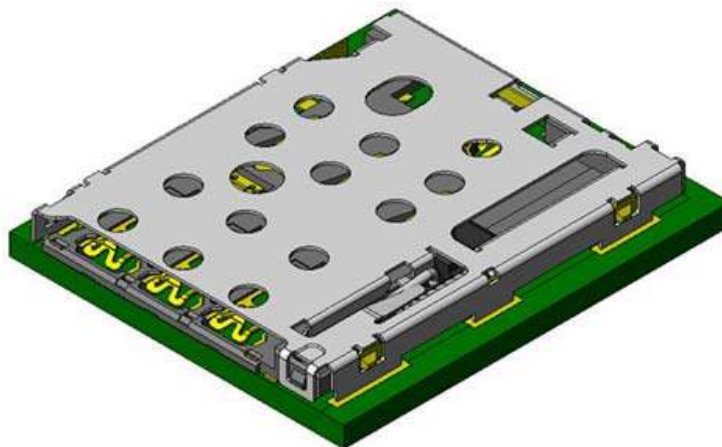
# SF72 Series

CONNECTOR

MB-0282-1

August 2014

**RoHS Compliant**



## <<Outline>>

Smartphones and tablet PC that equip nano SIM (4FF SIM) cards are increasing in these days.

The SF72 Series is a push-push type nano SIM card connector ideal for those applications.  
(SIM: Subscriber Identify Module)

## Features

- 1.25mm height, 11.2mm width, and 14.35mm depth, industry's lowest-in-class height and smallest-in-class dimensions among the same type of connectors.
- Maintaining good operability with the enlarged card eject length (3.9mm).
- With card mis-insertion measure and card detection switch (normal open).
- Structure that enables visual check of terminal area after SMT mounting.
- Balanced EMI countermeasure through 8 hold-down points.
- Pb-free, halogen-free compliant product.
- Supports automated mounting with embossed tape.

## General Specifications

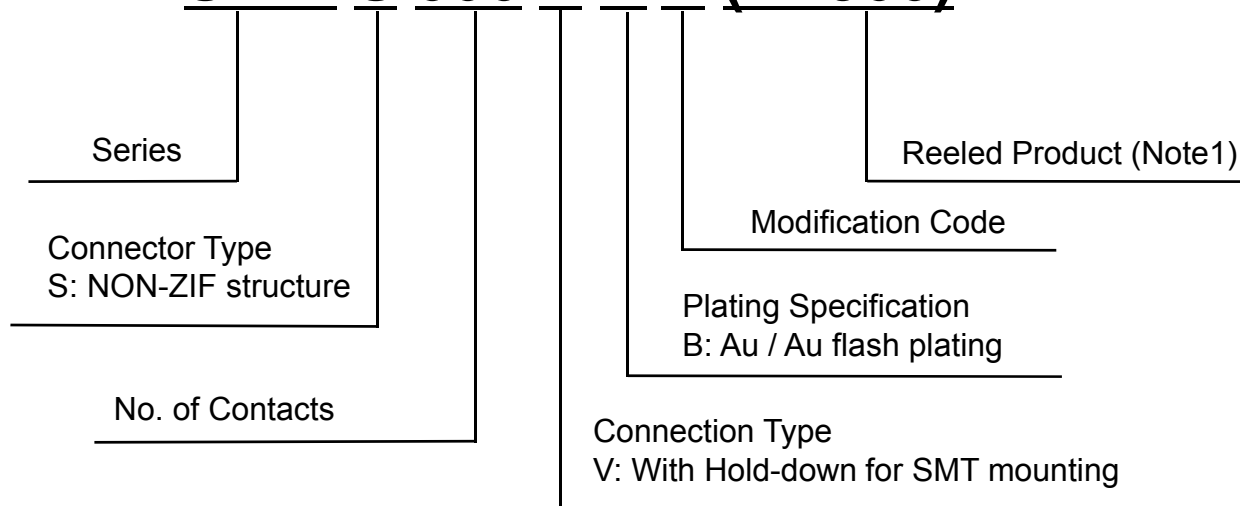
- |  |                                  |
|--|----------------------------------|
| ■ No. of Contacts: 6 pos.                                      | ■ Rated Current: 0.5A / terminal |
| ■ Contact Resistance: 100m $\Omega$ max. (initial)             | ■ Rated Voltage: 10V / terminal  |
| ■ Dielectric Withstanding Voltage:<br>AC500Vr.m.s for 1 minute | ■ Durability: 5,000 times        |
| ■ Operating Temperature:<br>-25 Deg. C to +85 Deg. C           |                                  |

## Materials and Finishes

Component	Material	Finish
Signal Contact D-SW Contact	Copper Alloy	Au plating over Ni (Contact area) Au flash plating over Ni (Terminal area)
Housing	Synthetic resin	
Cover	Stainless steel	Au flash plating (Terminal area only)
Eject Bar	Synthetic resin	
Spring	Stainless steel	
Cam Follower	Stainless steel	

## Ordering Information

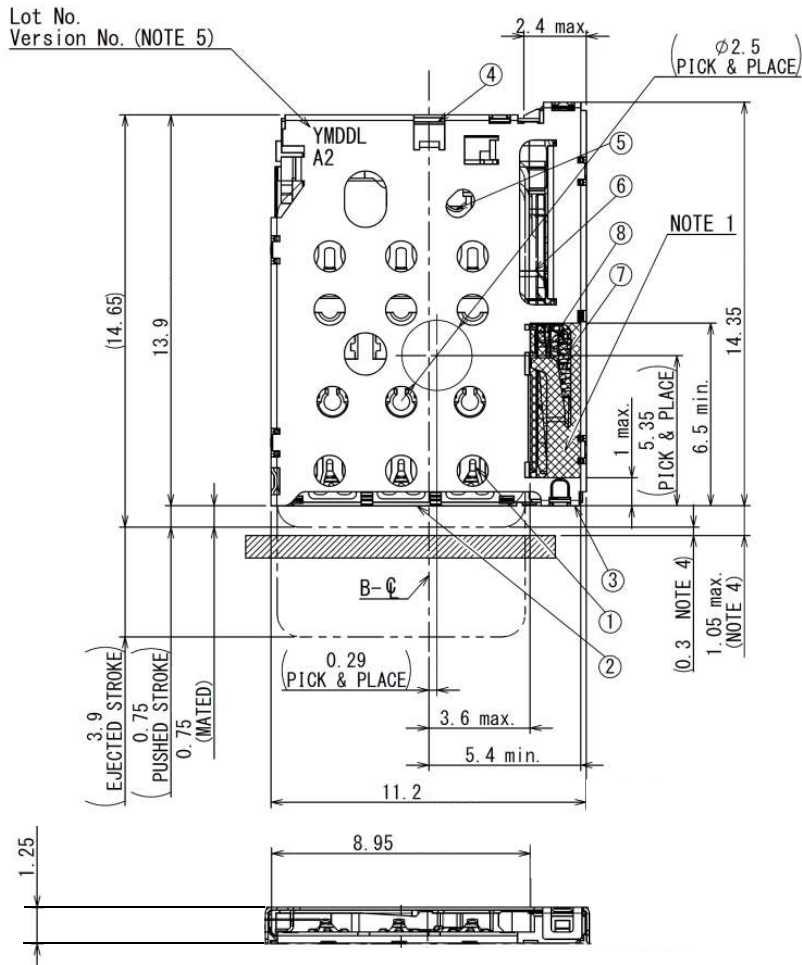
**SF72 S 006 V B A (R2500)**



Note 1: An embossed tape reel contains 2,500 pieces.

For emboss taping specifications, please contact us directly.

Part Number	SJ Drawing No.
SF72S006VBA	SJ114535



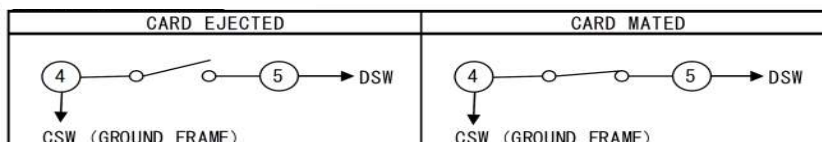
NOTE1. OTHER COMPONENTS CANNOT TOUCH OR REST ON TOP OF THIS AREA.  
 NOTE4. CARD STOPPER POSITION.  
 0.9Max (If DSW is not needed to use)  
 NOTE5. LOT INFORMATION IS SHOWN AS BELOW.  
 i. e. 4 5 1 2 1 A 2

VERSION NO.  
 PRODUCTION LINE NO.  
 PRODUCTION DATE (YMDD)

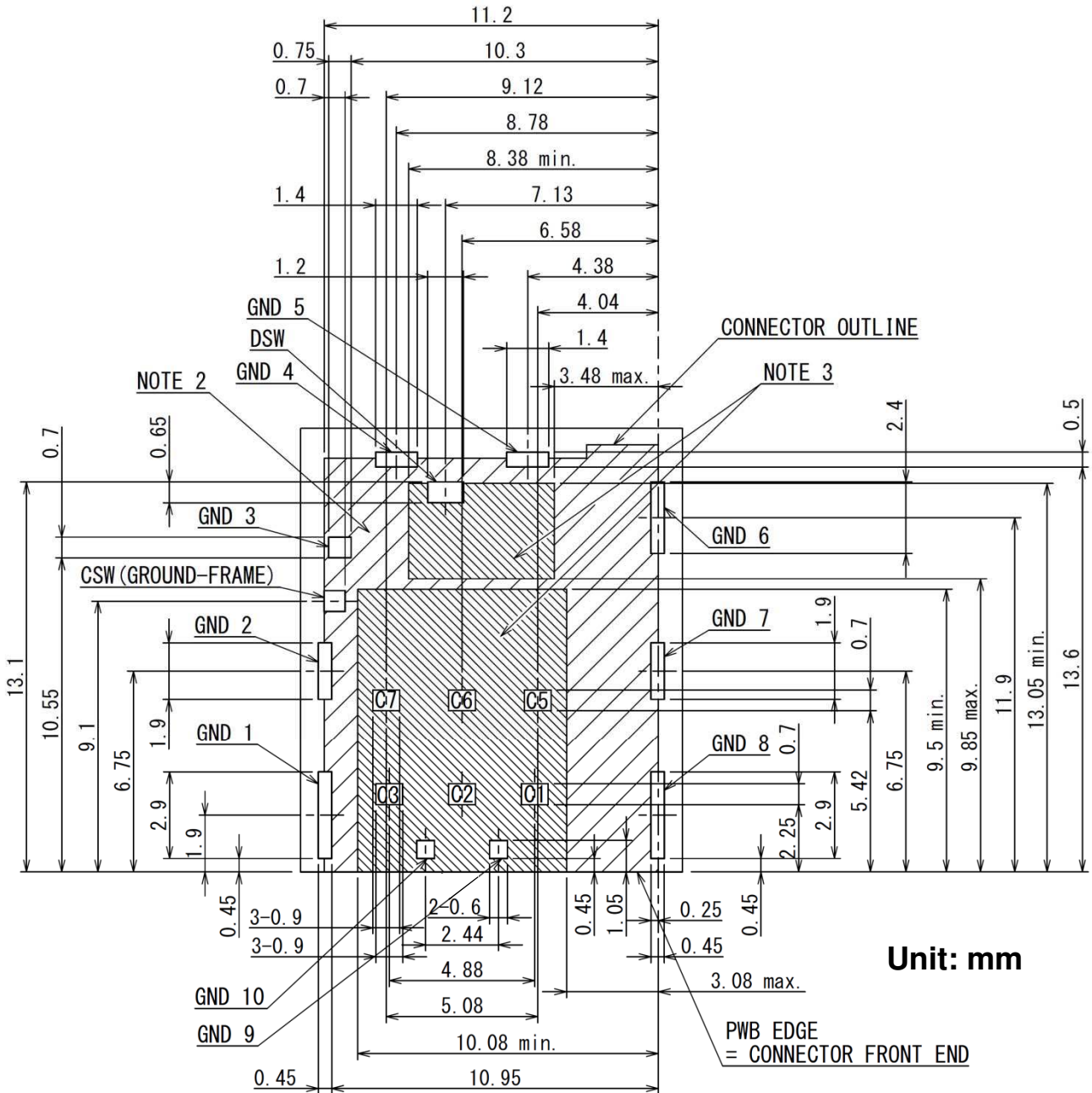
Unit: mm

符号 NO.	名称 DESCRIPTION	个数 QTY.	材料 MATERIAL	仕上 FINISH	備考 REMARKS
⑧	CAM FOLLOWER	1	STAINLESS STEEL		
⑦	SPRING	1	STAINLESS STEEL		
⑥	EJECT BAR	1	GLASS FILLED PA9T		
⑤	DETECTION SWITCH (DSW)	1	COPPER ALLOY	Au OVER Ni	
④	GROUND FRAME	1	COPPER ALLOY	Au OVER Ni	
③	COVER	1	STAINLESS STEEL	Au	
②	HOUSING	1	GLASS FILLED LCP		
①	CONTACT	6	COPPER ALLOY	Au OVER Ni	

TABLE 1 CIRCUIT



**Note1: The drawing above is for reference only.  
 Please refer to our latest product drawing when using this product.**



NOTE2. ONLY GND PATTERN AND VIA HOLE ALLOWED IN THIS AREA.  
 NOTE3. NO PATTERN AND VIA HOLE IN THIS AREA.

### Applicable PWB Dimensions

TABLE 2  
 PIN ASSIGNMENT

C1	Vcc
C2	RST
C3	CLK
C5	GND
C6	Vpp
C7	I/O

**Note1: The drawing above is for reference only.  
 Please refer to our latest product drawing when using this product.**

Technical Documents
---------------------

Part Number	SF72S006VBA
SJ Drawing No.	Individual Product: SJ114535 Reeled Product: SJ114536
Specifications	JACS-11019
Handling Instructions	JAHL-11019

**Notice:**

1. The values specified in this brochure are only for reference. The products and their specifications are subject to change without notice. Contact our sales staff for further information before considering or ordering any of our products. For purchase, a product specification must be agreed upon.

2. Users are requested to provide protection circuits and redundancy circuits to ensure safety of the equipment, and sufficiently review the suitability of JAE's products to the equipment.

3. The products presented in this brochure are designed for the uses recommended below.

We strongly suggest you contact our sales staff when considering use of any of the products in any other way than the recommended applications or for a specific use that requires an extremely high reliability.

(1) Applications that require consultation:

(i) Please contact us if you are considering use involving a quality assurance program that you specify or that is peculiar to the industry, such as:

Automotive electrical components, train control, telecommunications devices (mainline), traffic light control, electric power, combustion control, fire prevention or security systems, disaster prevention equipment, etc.

(ii) We may separately give you our support with a quality assurance program that you specify, when you think of a use such as :

Aviation or space equipment, submarine repeaters, nuclear power control systems, medical equipment for life support, etc.

(2) Recommended applications include:

Computers, office appliances, telecommunications devices (terminals, mobile units), measuring equipment, audiovisual equipment, home electric appliances, factory automation equipment, etc

**Japan Aviation Electronics Industry, Limited**

Product Marketing Division

Aobadai Building, 3-1-19, Aobadai, Meguro-ku, Tokyo 153-8539

Phone: +81-3-3780-2882 FAX: +81-3-3780-2946

\* The specifications in this brochure are subject to change without notice. Please contact JAE for information.