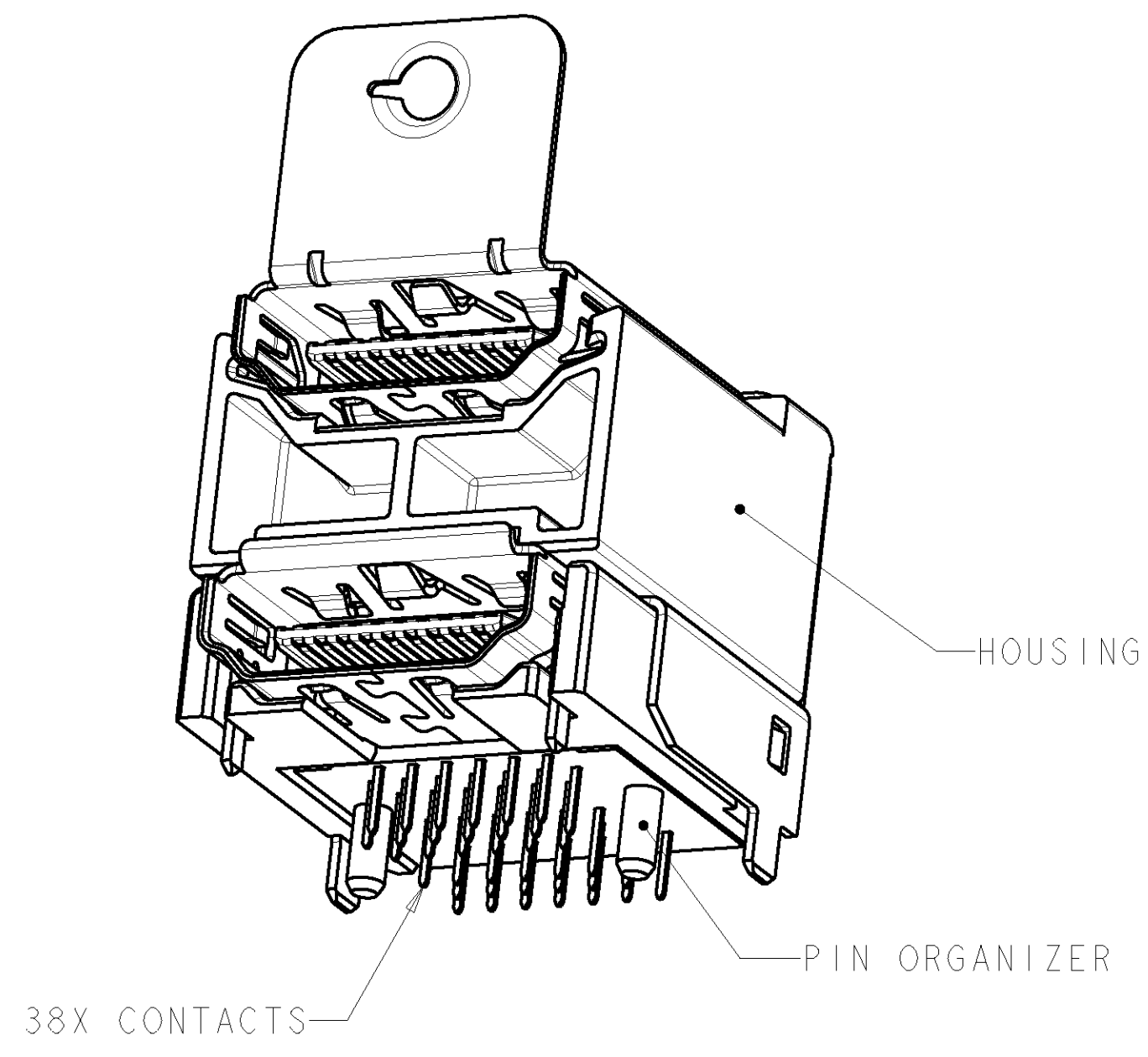
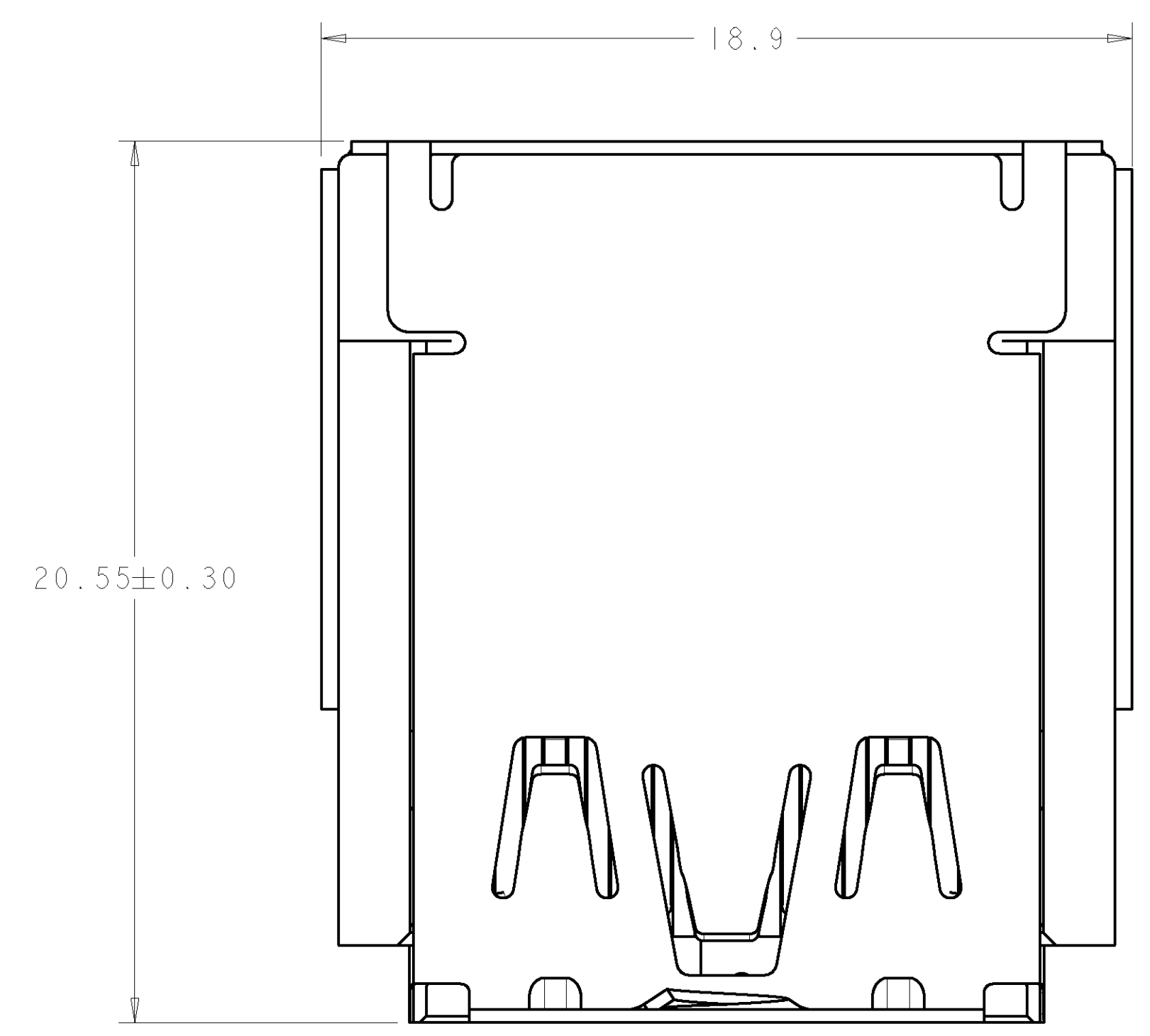
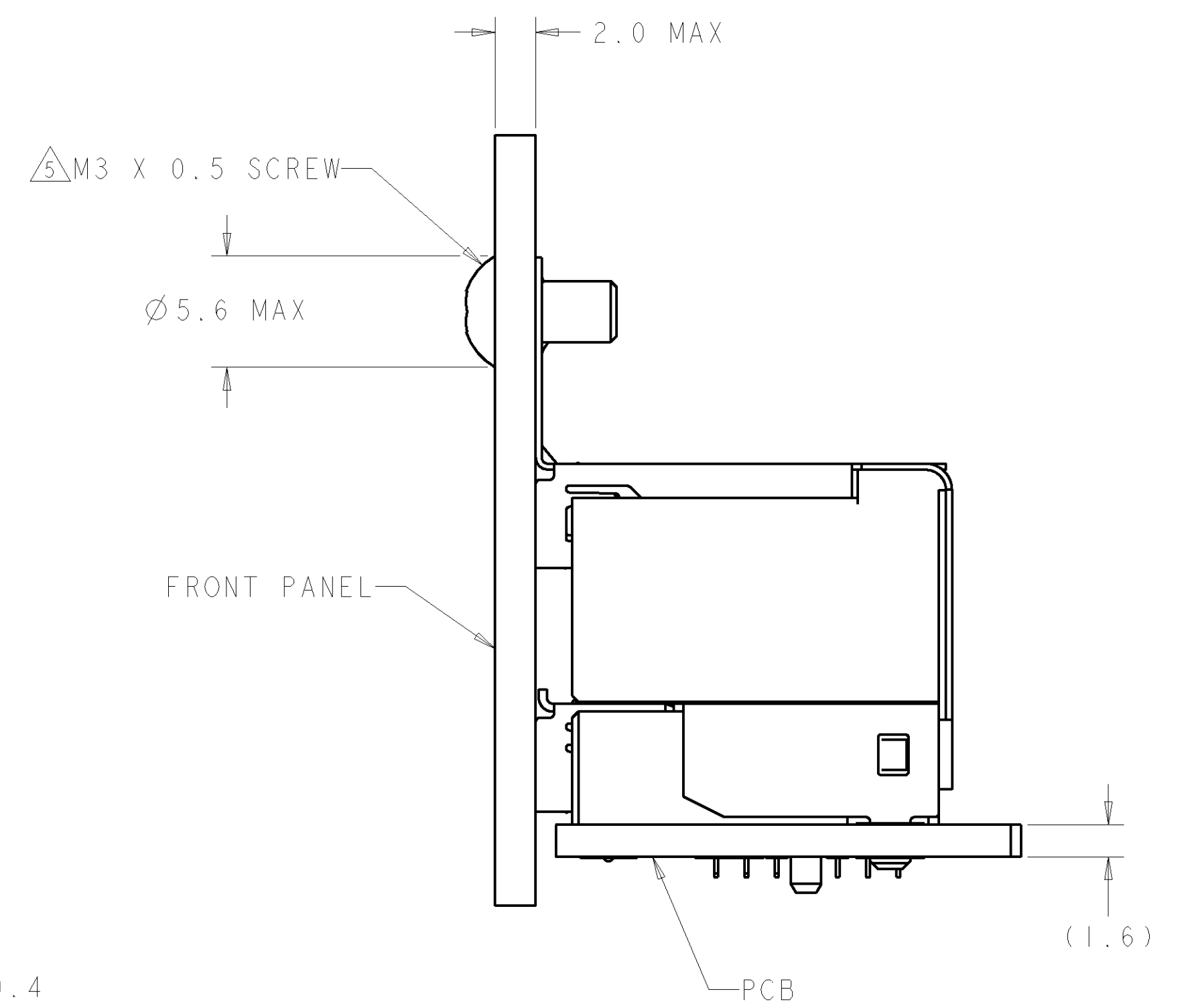
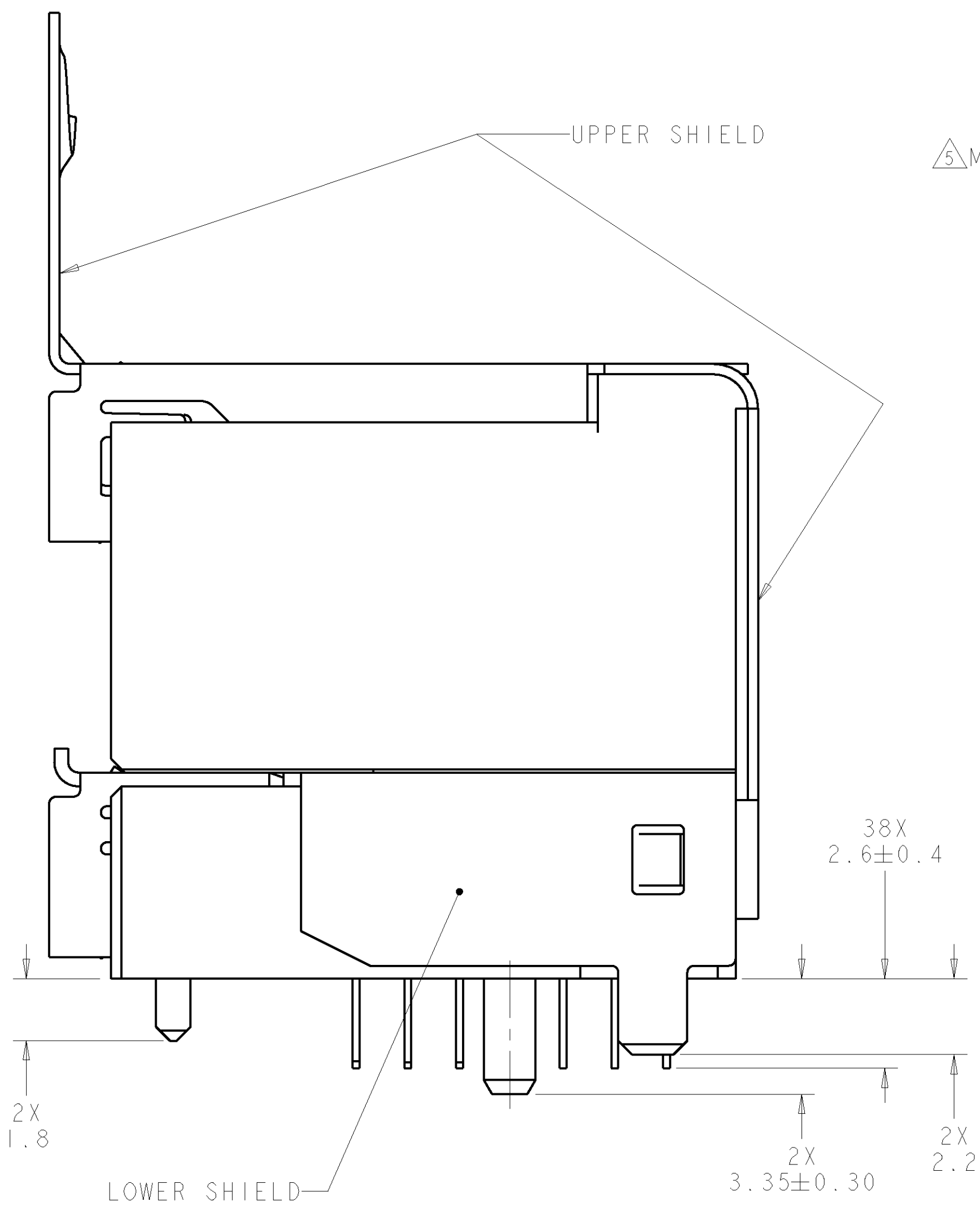
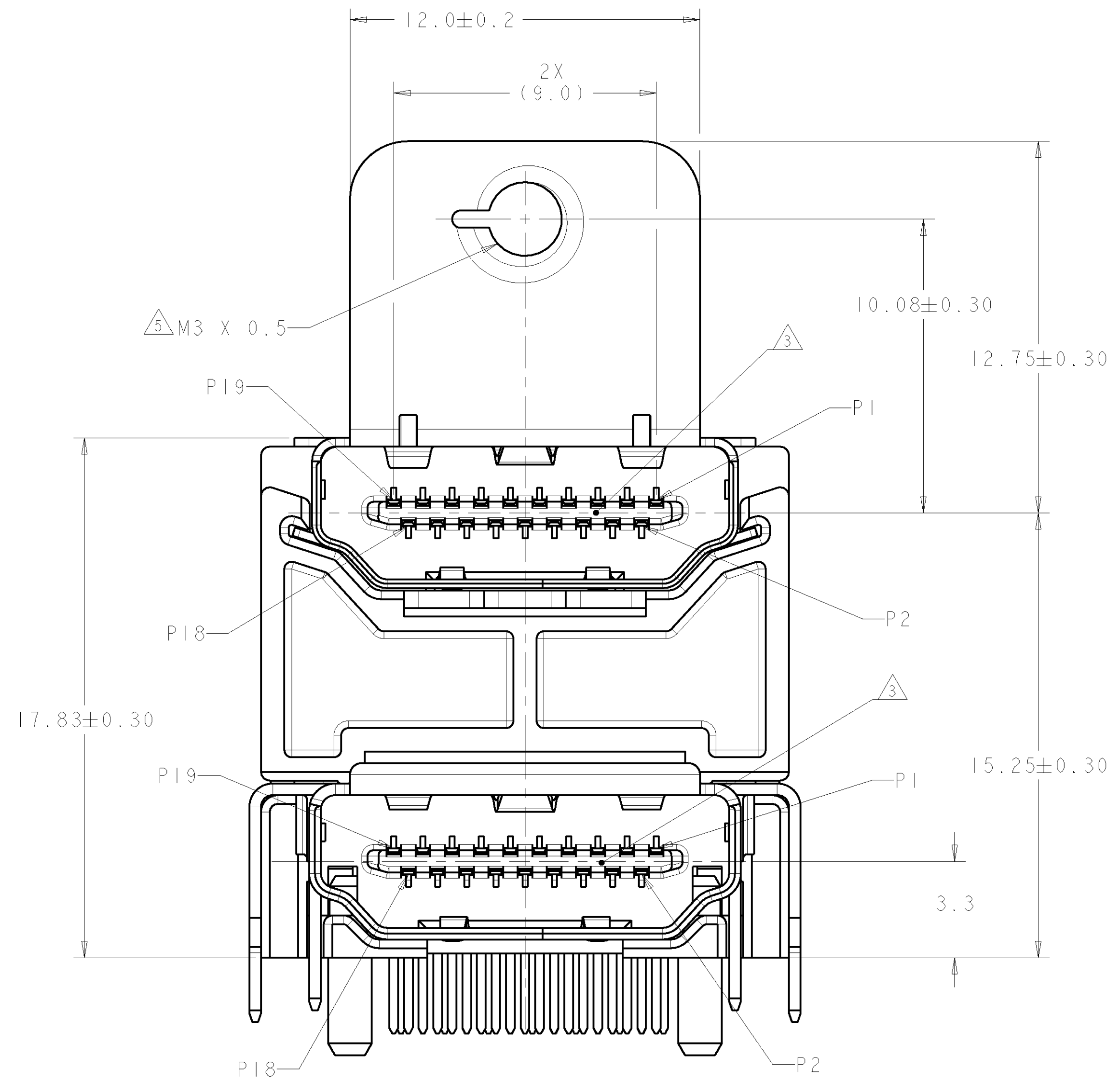


LOC		DIST		REVISIONS			
GP	00	REV	DATE	BY	CHK	APPV	DATE
A1		REVISED PER ECO-11-005033	21APR11	RK	HMR		



ISOMETRIC VIEW
SCALE 4:1

- 1 MATERIALS:
HOUSING & PIN ORGANIZER: HIGH TEMP THERMOPLASTIC, UL94V-0, BLACK.
CONTACTS: COPPER ALLOY
SHIELDS: STAINLESS STEEL
- 2 FINISH:
CONTACTS:
GOLD FLASH OVER
PALLADIUM-NICKEL PLATE, 0.3µm MIN TOTAL ON THE MATING SURFACE,
2µm MIN TIN PLATE ON THE SOLDER-TAIL,
2µm MIN NICKEL UNDERPLATE ON THE ENTIRE CONTACT.
OR
0.3µm MIN GOLD PLATE ON THE MATING SURFACE,
2µm MIN TIN PLATE ON THE SOLDER-TAIL,
2µm MIN NICKEL UNDERPLATE ON THE ENTIRE CONTACT.
LOWER SHIELD:
0.75µm MIN TIN OVER
0.8µm MIN NICKEL UNDERPLATE
- 3 INTERFACE DIMENSIONS ARE PER HDMI SPECIFICATION VERSION 1.3a.
4. WAVE SOLDER COMPATIBLE PER 109-202, CONDITION B, NO CLEAN FLUX IS RECOMMENDED.
- 5 APPLIED TORQUE MUST NOT EXCEED 4 kg-cm (3.47 in-lbs).
- 6 HOLES INDICATED ARE NOT REQUIRED FOR MOUNTING OF 188811-1 BUT MUST BE ADDED TO ENABLE INTERCHANGEABILITY WITH 1746679.

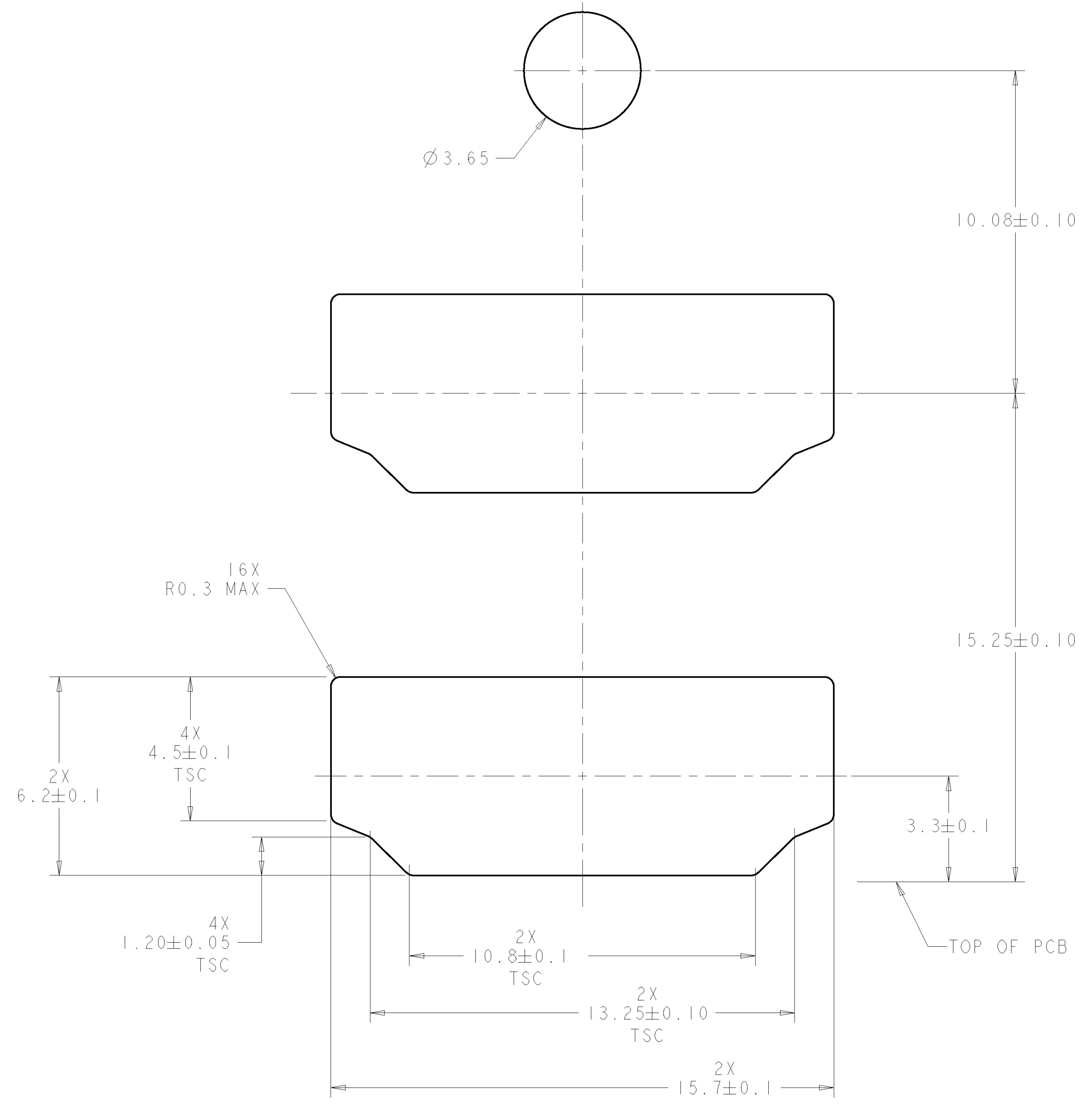
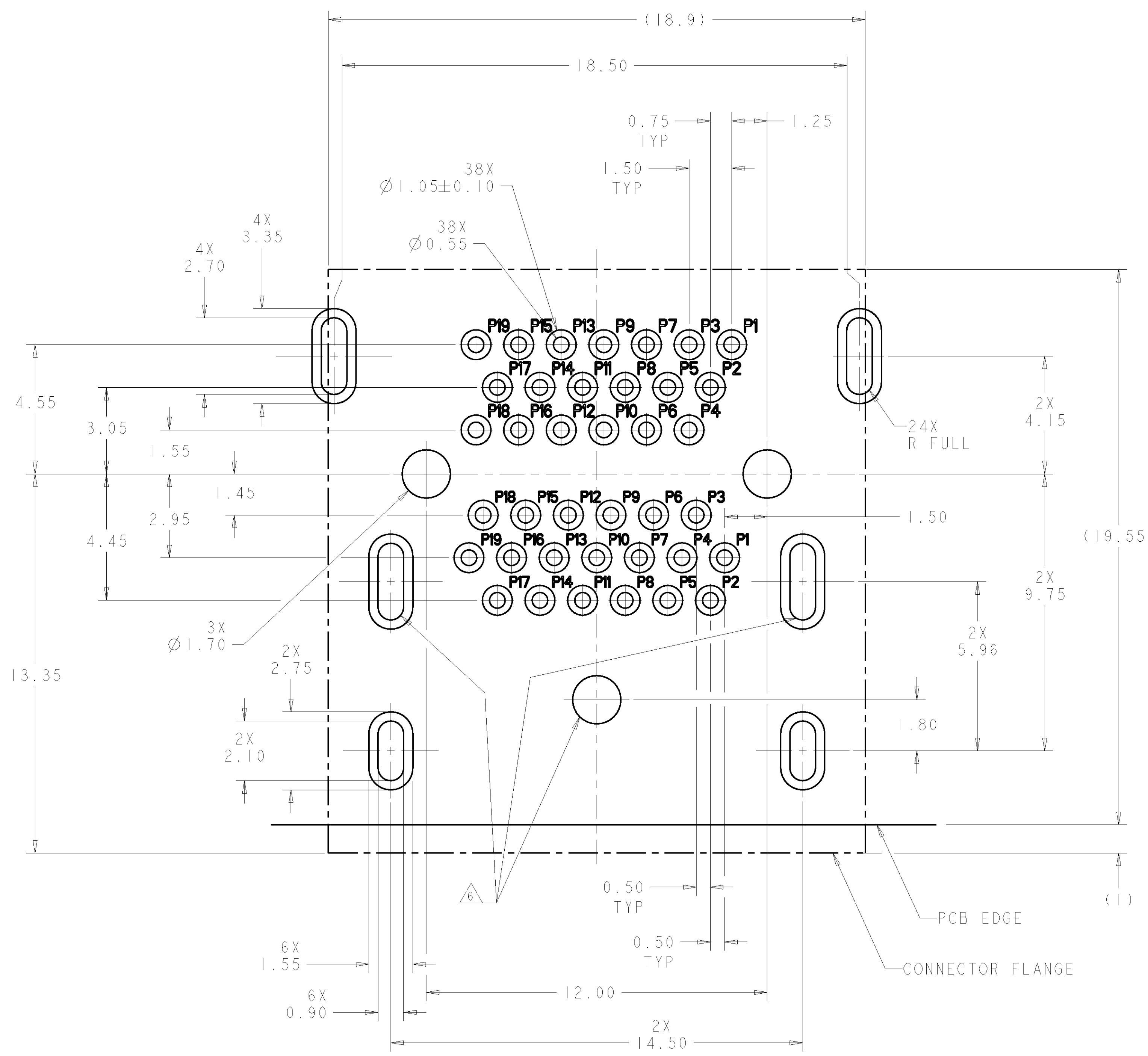


INSTALLED CONDITION VIEW
SCALE 4:1

188811-1
PART NO

DIMENSIONS:		TOLERANCES UNLESS OTHERWISE SPECIFIED:		DWG: J. McCLINTON 16 JAN 2007		TE Connectivity	
mm	0 PLC ±0.3	1 PLC ±0.3	2 PLC ±0.05	3 PLC ±0.05	4 PLC ±0.05	APVD: J. McCLELLAN 16 JAN 2007	NAME: CONNECTOR ASSEMBLY, HDMI STACKED
	ANGLES ±0.5	FINISH ±0.1				PRODUCT SPEC: -	APPLICATION SPEC: -
MATERIAL: 1	FINISH: 2	WEIGHT: -	SIZE: -	CAGE CODE: -	DRAWING NO: A100779	SCALE: 8:1	SHEET 1 OF 2
CUSTOMER DRAWING						REV A1	

LOC	DIST	REV	DATE	BY	APPD
GP	00				
DESCRIPTION			DATE	DWN	APVD
SEE SHEET 1			-	-	-



PCB LAYOUT
 SHOWN FROM CONNECTOR SIDE
 TOLERANCES ARE NON-CUMULATIVE
 SCALE 10:1

RECOMMENDED PANEL CUTOUT
 SCALE 10:1

DIMENSIONS: mm 		TOLERANCES UNLESS OTHERWISE SPECIFIED: 0 PLC ±0.3 1 PLC ±0.05 2 PLC ±0.05 3 PLC ±0.05 4 PLC ±0.05 ANGLES ±0.1		DWN J. McCLINTON 16 JAN 2007	TE Connectivity
MATERIAL SEE SHEET 1		FINISH SEE SHEET 1		CDR J. McCLELLAN 16 JAN 2007	
CUSTOMER DRAWING		WEIGHT -		APVD J. REISLINGER 16 JAN 2007	SIZE A100779C=1888811
SCALE 8:1				SHEET 2 OF 2	REV A1