

**MATERIALS:**

Shell: Zinc alloy with black Nickel plating  
 Insert: PPS, UL-94V-0 rated  
 Contacts: Brass, Gold plated

**MECHANICAL SPECIFICATIONS:**

Coupling type: Screw type  
 Contact termination: Solder  
 Cable O.D. range: 5 ~ 8mm  
 Mating cycles: >500

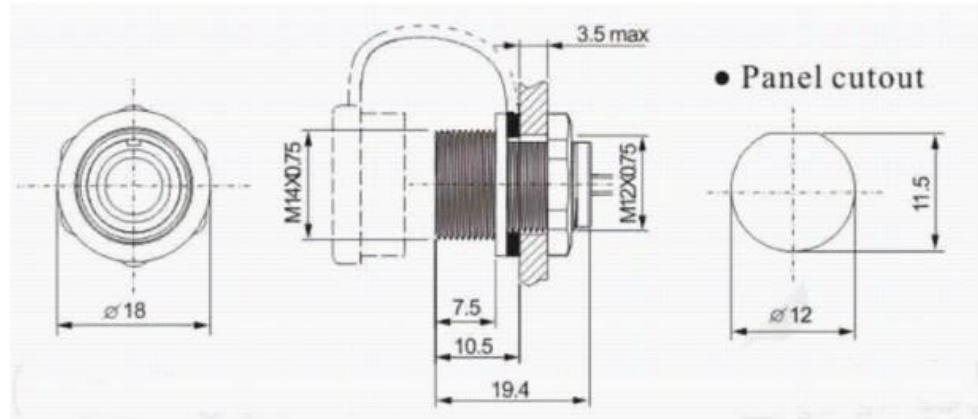
**ENVIRONMENTAL SPECIFICATIONS:**

IP rating: IP67  
 Temperature range: -40°C ~ +85°C



**ORDERING CODE:**  
 PD-ST1212-SX

Number of contacts (from chart)



Number of contact	2	3	4	5	6	7	9
Male contact face view							
Rated current (A)	13A	13A	5A	5A	5A	5A	3A
Contact diameter	∅ 1.6X2	∅ 1.6X3	∅ 1X4	∅ 1X5	∅ 1X6	∅ 1X7	∅ 0.7X9
Rated voltage (AC.V)	250V	250V	200V	180V	125V	125V	125V
Test voltage(AC.V) 1 min	1500V	1500V	1500V	1000V	1000V	1000V	1000V
Contact resistance mΩ	2	2	5	5	5	5	10
Wire size mm <sup>2</sup> /AWG	≤2/14	≤2/14	≤0.785/18	≤0.785/18	≤0.785/18	≤0.785/18	≤0.785/18

TOLERANCE UNLESS OTHERWISE SPECIFIED X ± 1 X.X ± 0.4 X.XX ± 0.13		<b>Power Dynamics, Inc.</b> Phone: 973 560-0019 Whippany, New Jersey Fax: 973 560-0076	
DRAWN BY: PB DATE: 10/30/17		PART #: PD-ST1212-SX	
CHECK BY: DATE:		SHEET 1 of 1	
APPR BY: DATE:		SCALE: NTS ALL DIMENSIONS FOR REFERENCE ONLY DIMENSIONS ARE IN MILLIMETERS	

**Power Dynamics, Inc.**  
 Phone: 973 560-0019 Whippany, New Jersey Fax: 973 560-0076  
 PART: METAL IP67 WATERPROOF FEMALE FRONT PANEL  
 MOUNT CONNECTOR; 2 - 9 CONTACTS; SOLDER TERMINATION

PD-ST1212-SX  
 SHEET 1 of 1  
 SCALE: NTS ALL DIMENSIONS FOR REFERENCE ONLY DIMENSIONS ARE IN MILLIMETERS

REV	DATE	CHANGE	CHK	CHK	APPR

D  
C  
B  
A

D  
C  
B  
A

6 5 4 3 2 1

6 5 4 3 2 1