

4

3

2

1

THIS DRAWING IS UNPUBLISHED.

RELEASED FOR PUBLICATION

2011

© COPYRIGHT 2011

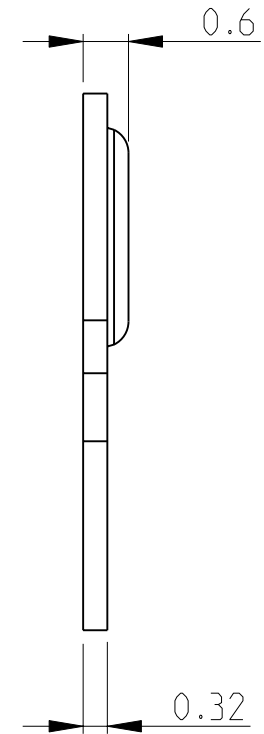
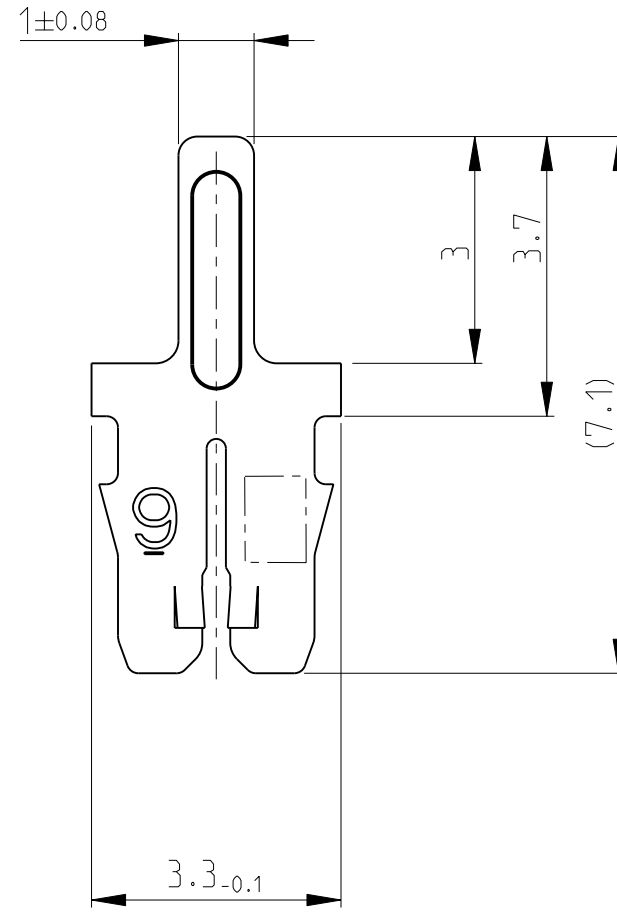
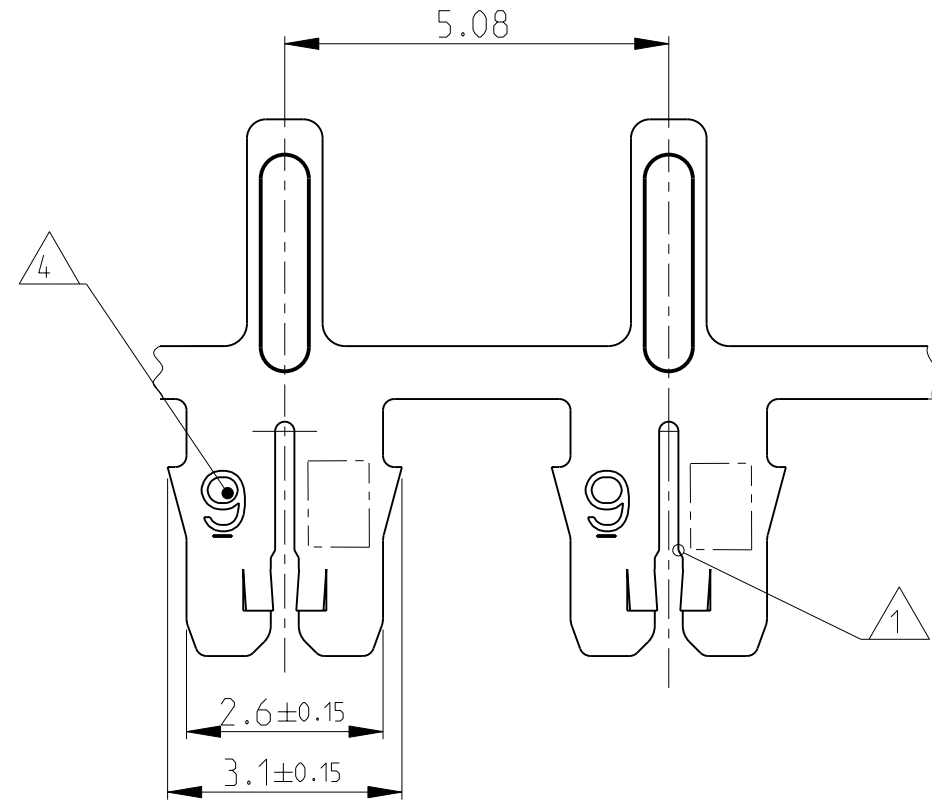
ALL RIGHTS RESERVED.

LOC  
IR

DIST  
-

REVISIONS

P	LTR	DESCRIPTION	DATE	DWN	APVD
	A	INITIAL RELEASE	18JUL2011	PKS	RRP
	A1	CAVITY DWG INFO CORRECTED	29SEP2011	PKS	RRP



Bemerkungen  
NOTES

- 1 Geeignet fuer Kupferlackdraht  $\varnothing 0.355...0.45\text{mm}$   
Einzeldraht oder zwei Draehte gleichen Durchmessers  
SLOT ACCEPTS:  
SINGLE OR DOUBLE MAGNET WIRE  
SAME DIAMETERS 0.355...0.45mm DIA
- 2 Anlieferungszustand: Kontakte fortlaufend mit  
Papierzwiseilage auf Kunststoffspule aufgewickelt  
Max. 5 Splice Stellen pro Spule  
Splice Stellen nicht miteinander verbunden  
DELIVERYSTATE: CONTACTS CONTINUOUS REELED WITH PAPER  
INTERLAYER ON PLASTIC-REEL.  
MAX. 5 SPLICES PER REEL  
SPLICES BE NOT BONDED TOGETHER.
- 3 Kontaktkammer nach Zeichnung } Spec. 411-18513  
CAVITY ACCORDING DWG.
- 4 Kennziffer fuer Drahtgroessenbereich (9)  
IDENTIFICATION NO. FOR MAGNET WIRE RANGE (9)
- 5 Materialdicke }  $0.32\pm 0.02$   
STOCK THICKNESS

1987501-1	A	CuSn	PRETINNED	MAG-MATE .187 mod.
PART NO	REV.	MATERIAL	SURFACE COLOR	DESCRIPTION

THIS DRAWING IS A CONTROLLED DOCUMENT.		DWN J.KOEHLE 31JUL2008	 TE Connectivity  MAG-MATE Kontakt mit Loetpin  											
DIMENSIONS: mm		CHK S.ZABECK 04AUG2008												
TOLERANCES UNLESS OTHERWISE SPECIFIED:		APVD T.KLENNER 04AUG2008												
<table border="0"> <tr> <td>0 PLC</td><td><math>\pm 0.2</math></td> </tr> <tr> <td>1 PLC</td><td><math>\pm 0.2</math></td> </tr> <tr> <td>2 PLC</td><td><math>\pm 0.2</math></td> </tr> <tr> <td>3 PLC</td><td><math>\pm 0.2</math></td> </tr> <tr> <td>4 PLC</td><td><math>\pm 0.2</math></td> </tr> <tr> <td>ANGLES</td><td><math>\pm 1^\circ</math></td> </tr> </table>		0 PLC				$\pm 0.2$	1 PLC	$\pm 0.2$	2 PLC	$\pm 0.2$	3 PLC	$\pm 0.2$	4 PLC	$\pm 0.2$
0 PLC	$\pm 0.2$													
1 PLC	$\pm 0.2$													
2 PLC	$\pm 0.2$													
3 PLC	$\pm 0.2$													
4 PLC	$\pm 0.2$													
ANGLES	$\pm 1^\circ$													
MATERIAL SEE TABLE		FINISH SEE TABLE	APPLICATION SPEC	NAME	RESTRICTED TO									
		WEIGHT	SIZE	CAGE CODE	DRAWING NO									
			A3	00779	©-1987501									
		CUSTOMER DRAWING	SCALE	SHEET	OF									
			10:1	1	1									
				REV	A1									