

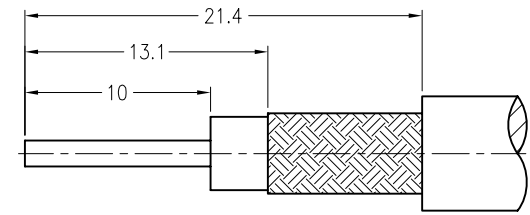
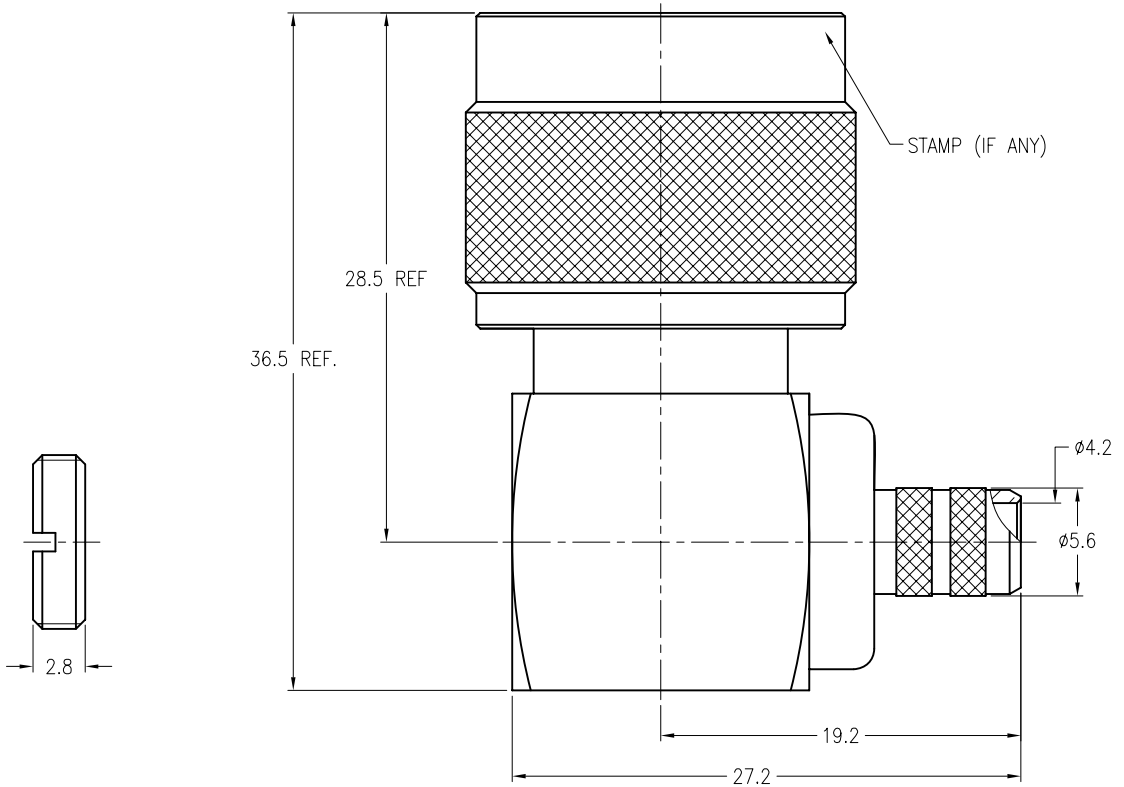
NOTES:

1. MATERIALS AND FINISHES:  
 BODY - BRASS, NICKEL PLATING  
 CONTACT - BRASS, GOLD PLATING  
 INSULATOR - TEFLON
2. ELECTRICAL:  
 A. IMPEDANCE: 50 OHM  
 B. FREQUENCY RANGE: DC 0-11 GHz  
 C. DIELECTRIC WITHSTANDING VOLTAGE: 2500 VRMS, MIN.
3. MECHANICAL:  
 A. DURABILITY: 500 CYCLES MIN.  
 B. TEMPERATURE RANGE: - 40°C to +150°C
4. CRIMPED FERRULE  
 HEX CRIMP SIZE .255"
5. CONTACT PIN TO SOLDER

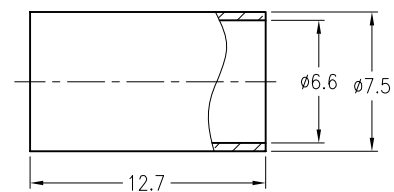
THIRD ANGLE PROJ.

REVISIONS

REV	DESCRIPTION	DATE	ECO	APPR
A	RELEASE TO MFG.	--	--	--
A1	SEE SHEET 1	18-Nov-00	--	--
B	SEE SHEET 1	27-Mar-01	--	TONY
C	REDRAWN TO UPDATE FORMAT	12/4/08	47247	



RECOMMENDED  
CABLE STRIPPING DIM'S



**CUSTOMER OUTLINE DRAWING**  
ALL OTHER SHEETS ARE FOR INTERNAL USE ONLY

UNLESS OTHERWISE SPECIFIED, DIMENSIONS ARE IN METRIC AND TOLERANCES ARE: 0.5 - 6mm ±0.1mm    6 - 30mm ±0.2mm    30 - 120mm ±0.3mm    ANGLES ±1°	MATERIAL	DRAWN K.SHEN	DATE 12-Dec-01	TITLE N R/A CRIMP PLUG		Amphenol RF	
	REFERENCE	ENGINEER G.SE	DATE 12-Dec-01			Danbury CT USA, Tainan Taiwan, Shenzhen China www.amphenolrf.com	
FINISH		APPROVED TONY	DATE 12-Dec-01	SCALE: 2.5/1	SHEET 2 OF 2	DRAWING NO. N1112A1-NT3G-8X-50	
		CAD FILE F:\DWG\N\1112A1\8X-50\NT3G-CSZ		DWG SIZE B	CODE ID 74868	REV C	ITEM NO. 031112AAE89NA5F
NOTICE - These drawings, specifications, or other data (1) are, and remain the property of Amphenol Corp. (2) must be returned upon request; and (3) are confidential and not to be disclosed to any person other than those to whom they are given by Amphenol Corp. The furnishing of these drawings, specifications, or other data by Amphenol Corp., or to any other person to anyone for any purpose is not to be regarded by implication or otherwise in any manner licensing, granting rights or permitting such holder or any other person to manufacture, use or sell any product, process or design, patented or otherwise, that may in any way be related to or disclosed by said drawings, specifications, or other data.							PART NO. 082-6157