

Feedthrough Filter B85321A4205B630

FEATURES:

Metallized (selfhealing) film capacitors. High insertion loss up to the GHz range.
Metal case, resin sealed, plastic insulating bush (UL94-V0).

RATINGS AND CHARACTERISTICS:

Rated Capacitance	2 x 1 μ F
Capacitance Tolerance	\pm 20%
Rated Voltage	440VAC / 600VDC
Subclass (EN133200)	X2
Rated Current (T _{amb} -55°C)	63A
Test Voltage (Terminal-Case)	2500VDC / 2s
Climatic Category	40/085/56
Approx.Weight	600g
Mounting Thread	M32 x 1,5
Terminal Thread	M6

TYPICAL INSERTION LOSS (50 Ω):

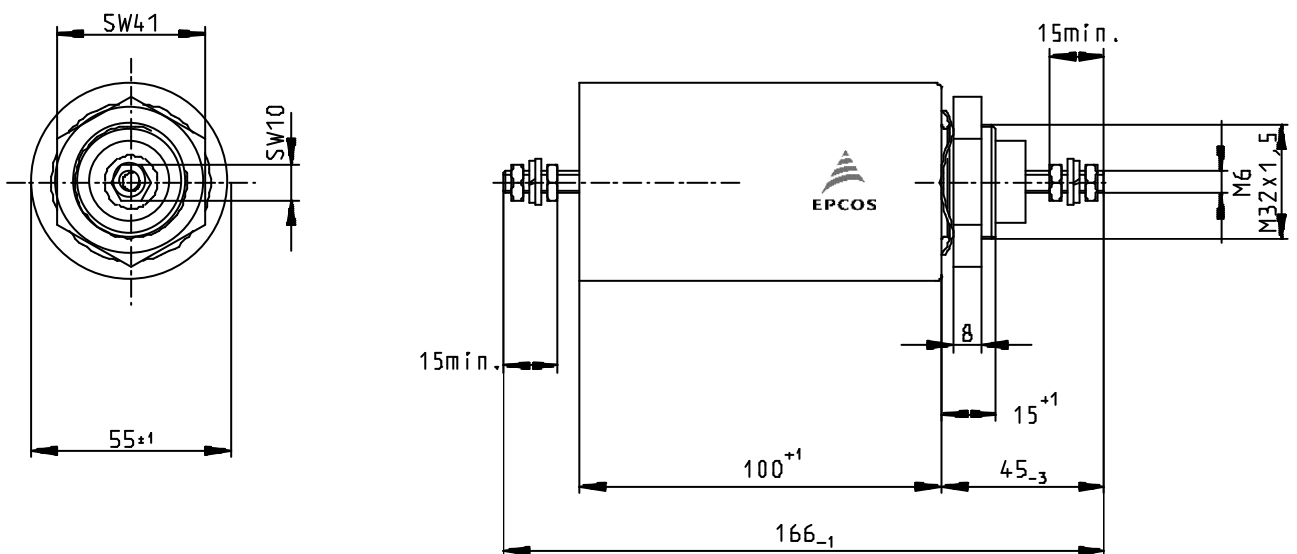
f	10 KHz	100 KHz	1 MHz	10 MHz	100 MHz	1 GHz
dB	12	30	60	>100	>100	>100

Circuit Diagram:



MATERIAL:

Metal case, nickel plated. UL-listed material for resin and plastic insulating bush.
Terminals, nuts and washers are nickel- or tin plated.



Published by EPCOS AG
Corporate Communications, P.O. Box 80 17 09, 81617 Munich, GERMANY
☎ ++49 89 636 09, FAX (0 89) 636-2 26 89

© EPCOS AG 2002. Reproduction, publication and dissemination of this brochure and the information contained therein without EPCOS' prior express consent is prohibited.

Purchase orders are subject to the General Conditions for the Supply of Products and Services of the Electrical and Electronics Industry recommended by the ZVEI (German Electrical and Electronic Manufacturers' Association), unless otherwise agreed.

This brochure replaces the previous edition.

For questions on technology, prices and delivery please contact the Sales Offices of EPCOS AG or the international Representatives.

Due to technical requirements components may contain dangerous substances. For information on the type in question please also contact one of our Sales Offices.