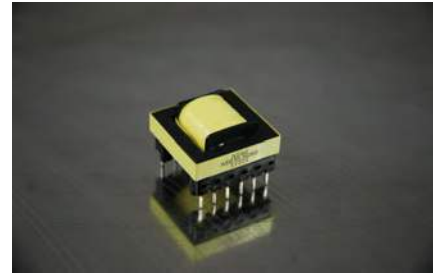


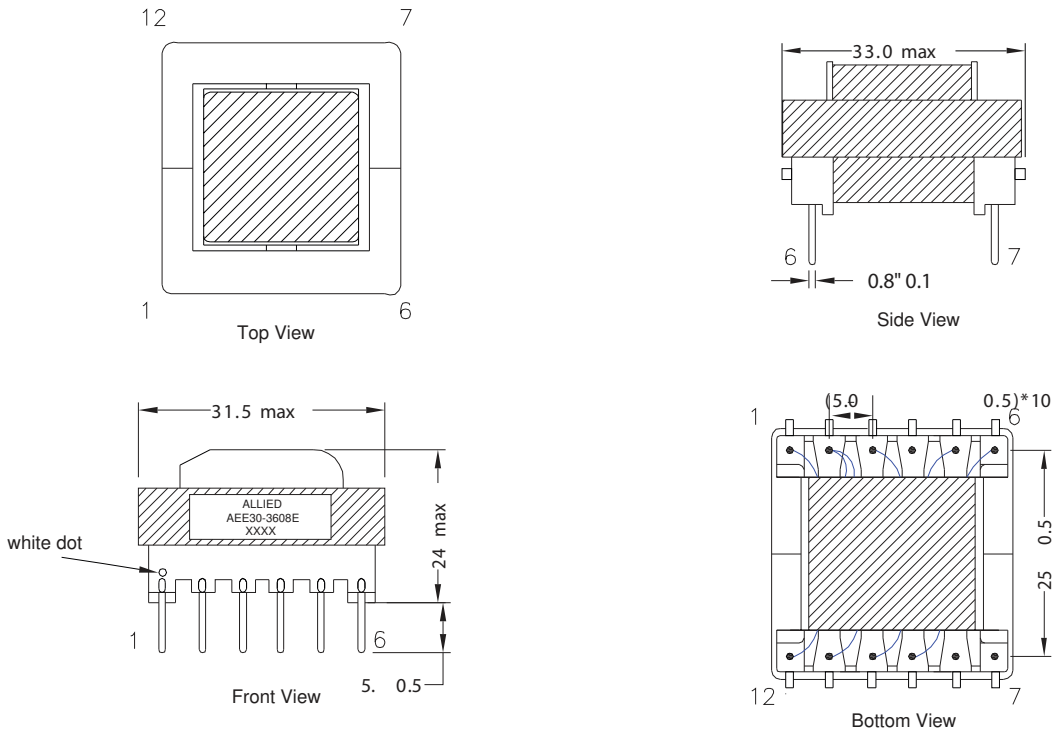


EE30 Transformer

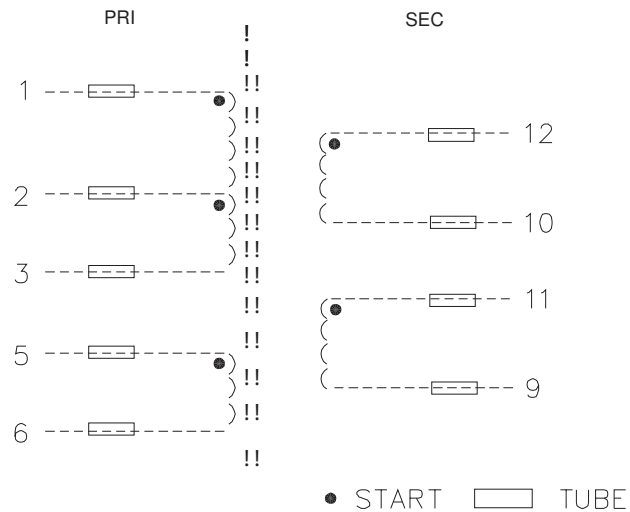
AEE30-3608E



Dimensions (Unit:mm)



Schematic



All specifications subject to change without notice.



Specification

1. PRIMARY ELECTRONICAL SPEC:

S - F	INDUCTANCE F=10KHZ, 0.1VRMS 25°C	LEAKAGE INDUCTANCE F=100KHZ,0.1VRMS (SHORT SEC PINS)	DCR 25°C (MAX)	TURN RATIO
1 - 3	2.6mH±10%	60uH max	1.6 Ohm	160Ts
5 - 6		-	130 mOhm	9Ts

2. SECONDARY ELECTRONICAL SPEC:

S - F	INDUCTANCE F=1KHZ, 0.1VRMS 25°C	LEAKAGE INDUCTANCE F= 10 KHZ, 0.1VRMS SHORT OTHER PINS	DCR 25°C (MAX)	TURN RATIO
11 - 9		-	72 mOhm	14Ts
12 - 10		-	72 mOhm	14Ts

3. HI-POT/INSULATION RESISTANCE:

LOCAT. \ DESC.	PRI-SEC	SEC-SEC	PRI-CORE	SEC-CORE
HI-POT (50Hz/60Hz)	3600Vac 5mA, 60SEC	-	1800Vac 5mA, 60SEC	1800Vac 5mA, 60SEC
INSULATION RESISTANCE	500Vdc 100 Mohm min	-	500V 100 Mohm min	500V 100 Mohm min

All specifications subject to change without notice.