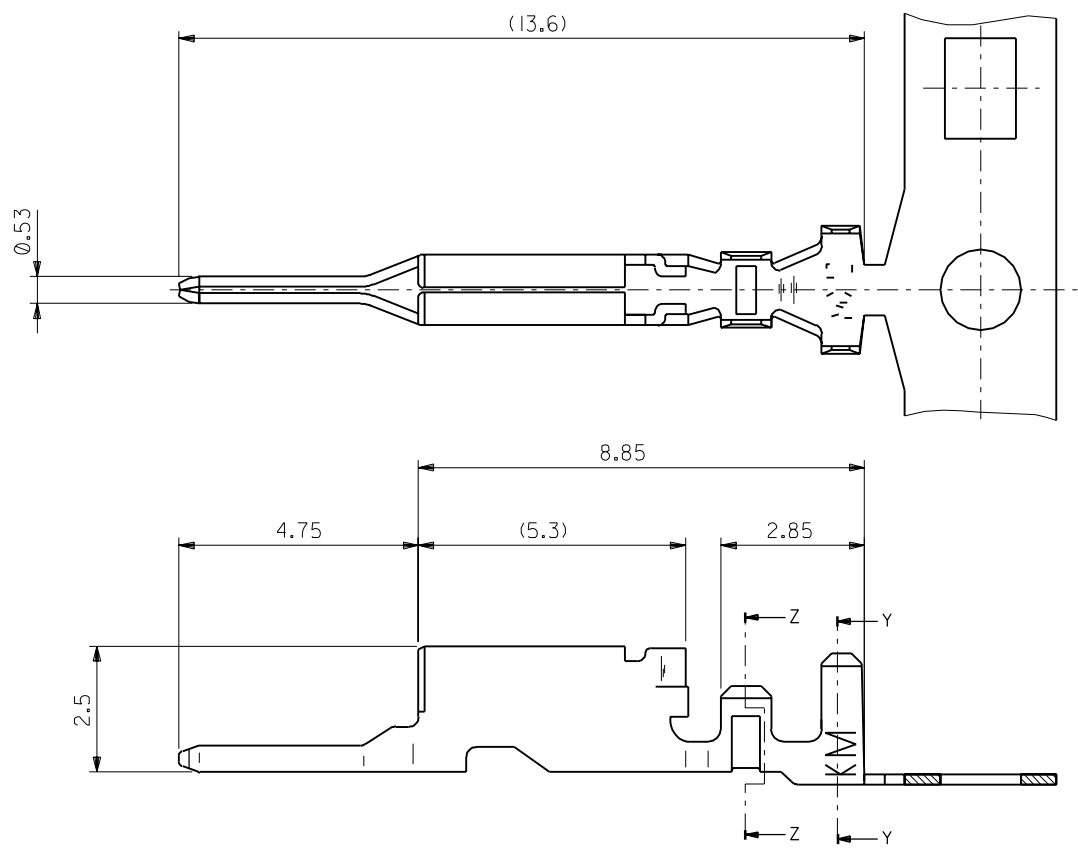
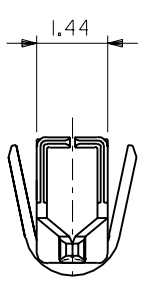


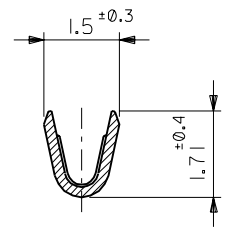
DWG. NO. SD-56086-002

DO NOT SCALE DRAWING

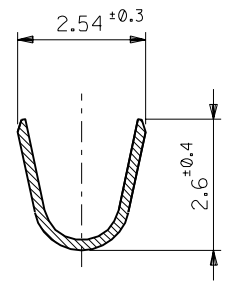


注記
NOTES

1. 使用材料 : リン青銅, 錫メッキ (t=0.203)
MATERIAL : PRE-TINNED PHOSPHOR BRONZE (t=0.203)
2. 適合ハウジング : 51227シリーズ
APPLICABLE HOUSING : 51227 SERIES



SECT. Z-Z



SECT. Y-Y

56086-8100	バラ状 LOOSE
56086-8000	連鎖状 CHAIN
MATERIAL NO.	端子形状 FORM

EC NO. DRWN: CHK: APPR:	EC NO. DRWN: CHK: APPR:	EC NO. DRWN: CHK: APPR:	EC NO. DRWN: CHK: APPR:	EC NO. DRWN: CHK: APPR:	01/06/13 EC NO. JC2001-0981 DRWN: H.II CHK: T.YAMAGUCHI APPR: T.YAMAGUCHI	MATERIAL 材料 注記参照 SEE NOTES	GENERAL TOLERANCES: (UNLESS SPECIFIED) 一般公差	56086-8*00 SCALE 10:1 DESIGN UNITS <input checked="" type="checkbox"/> mm <input type="checkbox"/> INCH	MODEL NO. THIRD ANGLE PROJECTION	DIMENSIONS: <input type="checkbox"/> mm <input type="checkbox"/> INCH <input checked="" type="checkbox"/> mm ONLY	SHT REV	REVISION CAD ONLY
					FINISH 仕上げ //	WIRE RANGE 適用電線範囲 AWG #22 - #28	10 UNDER 未満 ±0.2	DRAWN BY & DATE H.II 01/06/13	TITLE: 2.0 mm WIRE TO WIRE CONN. PLUG TERMINAL			
					INS. RANGE 被覆外径 Ø 1.5 MAXIMUM	ANGLE 角度 ±3°	10 OVER 以上 ±0.25	CHECKED BY & DATE T.YAMAGUCHI 01/06/14	MOLEX MOLEX INCORPORATED	MATERIAL NO. SEE CHART	DRAWING NO. SD-56086-002	SHEET NO. 1 OF 1
							30 OVER 以上 ±0.3	APPROVED BY & DATE T.YAMAGUCHI 01/06/14				
								CAD FILENAME 56086002.S01				
								THIS DRAWING CONTAINS INFORMATION THAT IS PROPRIETARY TO MOLEX INCORPORATED AND SHOULD NOT BE USED WITHOUT WRITTEN PERMISSION.				SIZE B

56086002.S01