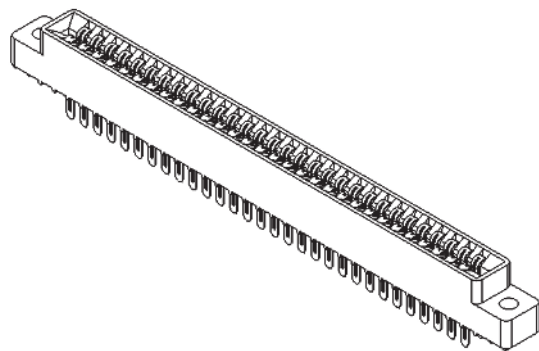




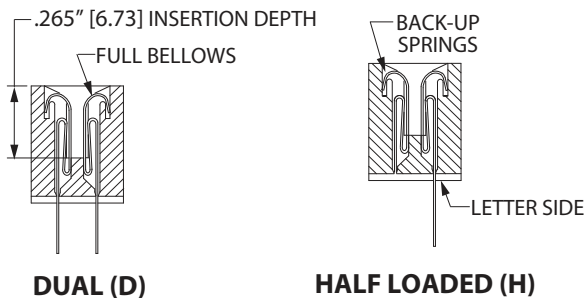
.125" [3.18 mm] Contact Centers, .431" [10.95 mm] Insulator Height, Dip Solder/Eyelet/Right Angle for .062" [1.57 mm] or .031" [0.79 mm] Mating PCB

SPECIFICATIONS

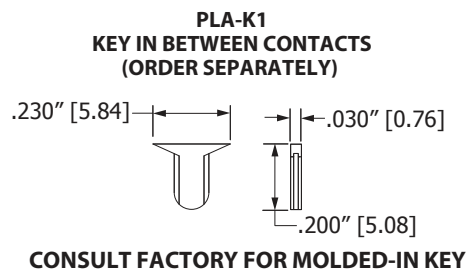
- Accommodates .062" ± .008" [1.57 mm ± 0.20 mm] PC board or .031" ± .006" [0.79 mm ± 0.15 mm] PC board
- Molded-in key available
- 3 Amps current rating for one contact energized
- 30 milli Ohms maximum at rated current
- UL Flammability Rating: 94V-0



READOUT

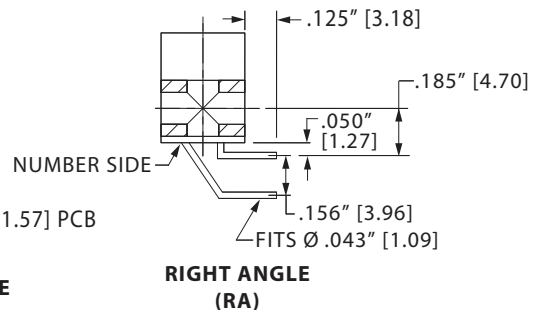
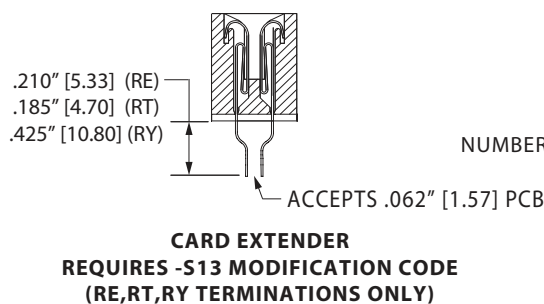
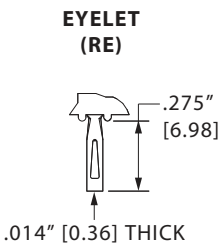
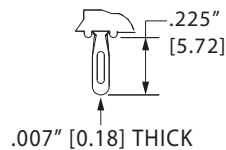


POLARIZING KEY

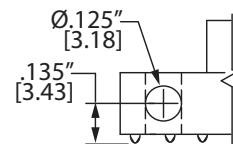
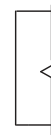
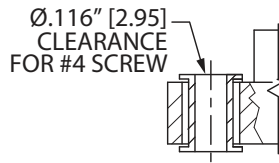
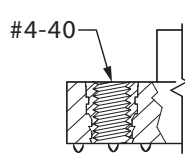
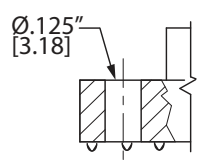


TERMINATION TYPE

EYELET ACCEPTS 3-#26 AWG



MOUNTING STYLE



Female Card Edge



.125" [3.18 mm] Contact Centers, .431" [10.95 mm] Insulator Height, Dip Solder/Eyelet/Right Angle for .062" [1.57 mm] or .031" [0.79 mm] Mating PCB

PART NUMBER OPTIONS

MATERIALS (INSULATOR/CONTACT)

- E = PBT/Phosphor Bronze (Standard)
- R = PPS/Phosphor Bronze
- G = PA9T/Phosphor Bronze
- H = PBT/Beryllium Copper
- A = PPS/Beryllium Copper
- J = PA9T/Beryllium Copper
- *F = PPS/Spinodal (Overall Gold Plating Only)
- Consult factory for special soldering guidelines.
- *C = PPS/Beryllium Nickel (Overall Gold Plating Only)
- *W = PEEK/Beryllium Nickel (Overall Gold Plating Only)
- *Consult factory for availability.
- Refer to Page 7 for Operating/Processing Temperatures

CONTACT FINISH - RoHS Compliant

All platings are Lead Free and have .000050" Nickel underplate

Contact Surface	Termination
B = .000010" Gold	.000100" Pure Tin, Matte
C = .000030" Gold	.000100" Pure Tin, Matte
G = .000010" Gold	.000005" Gold
Y = .000030" Gold	.000005" Gold
Contact Surface	Overall Plating
S = .000010" Gold	.000010" Gold
M = .000030" Gold	.000010" Gold
E = .000100" Pure Tin, Matte	.000100" Pure Tin, Matte

CONTACT CENTERS

A = .125" [3.18 mm]

E B A 43 D R E H - Sxxx

MODIFICATION CODE (Consult Factory)

OMIT FOR STANDARD

-S13 = Card Extender Accepts .062" [1.57 mm] PCB (RE, RT, RY Terminations Only)

-S734 = .031" ± .006" [0.79 mm ± 0.15 mm] Thick PCB

MOUNTING STYLE (Opposite Page)

- H = .125" [3.18 mm] Clearance Holes
- N = No Mounting
- S = Side Mounting
- I = Threaded Insert
- F = Floating Bobbin

TERMINATION TYPE (Opposite Page)

- RA = Right Angle
- RE = Eyelet (Standard)
- TE = Eyelet (Overall Plated Only)
- RT = .140" [3.56 mm] X .200" [5.08 mm] Dip Solder
- RY = .140" [3.56 mm] X .440" [11.19 mm] Dip Solder
- RX = .200" [5.08 mm] X .185" [4.70 mm] Dip Solder
- RJ = .250" [6.35 mm] X .165" [4.19 mm] Dip Solder

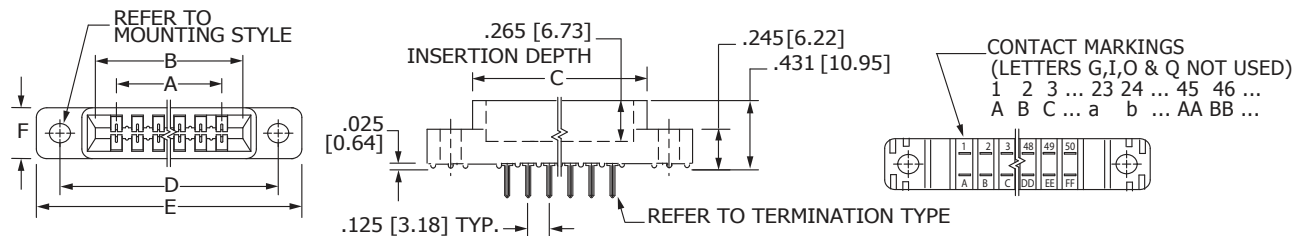
READOUT (Opposite Page)

- D = Dual
- H = Half Loaded

NUMBER OF CONTACT POSITIONS

See Chart Below

DIMENSIONS Dimensions in [] are in millimeters, all others are in inches.



Tolerances on non-critical dimensions may vary slightly due to shrinkage differential per insulator material; Consult factory.

POSITIONS/ CONTACTS	INCHES						MILLIMETERS						
	A±.008	B±.008	C±.015	D±.010	E±.020	F+-.005/-0.015	A±0.20	B±0.20	C±0.38	D±0.25	E±0.51	F+0.13/-0.38	
06/12	0.625	0.875	1.035	1.295	1.575	0.330	15.88	22.23	26.29	32.89	40.01	8.38	
10/20	1.125	1.375	1.535	1.795	2.075		28.58	34.93	38.99	45.59	52.71		
14/28	1.625	1.875	2.035	2.295	2.575		41.28	47.63	51.69	58.29	65.41		
15/30	1.750	2.000	2.160	2.420	2.700		44.45	50.80	54.86	61.47	68.58		
18/36	2.125	2.375	2.535	2.795	3.075		53.98	60.33	64.39	70.99	78.11		
22/44	2.625	2.875	3.035	3.295	3.575		66.68	73.03	77.09	83.69	90.81		
28/56	3.375	3.625	3.785	4.045	4.325		85.73	92.08	96.14	102.74	109.86		
30/60	3.625	3.875	4.035	4.295	4.575		92.08	98.43	102.49	109.09	116.21		
31/62	3.750	4.000	4.160	4.420	4.700		95.25	101.60	105.66	112.27	119.38		
35/70	4.250	4.500	4.660	4.920	5.200		107.95	114.30	118.36	124.97	132.08		
36/72	4.375	4.625	4.785	5.045	5.325		111.13	117.48	121.54	128.14	135.26		
37/74	4.500	4.750	4.910	5.170	5.450		114.30	120.65	124.71	131.32	138.43		
40/80	4.875	5.125	5.285	5.545	5.825		123.83	130.18	134.24	140.84	147.96		9.40
43/86	5.250	5.500	5.660	5.920	6.200		133.35	139.70	143.76	150.37	157.48		
44/88	5.375	5.625	5.785	6.045	6.325	136.53	142.88	146.94	153.54	160.66			
49/98	6.000	6.250	6.410	6.670	6.950	152.40	158.75	162.81	169.42	176.53			
50/100	6.125	6.375	6.535	6.795	7.075	155.58	161.93	165.99	172.59	179.71			