

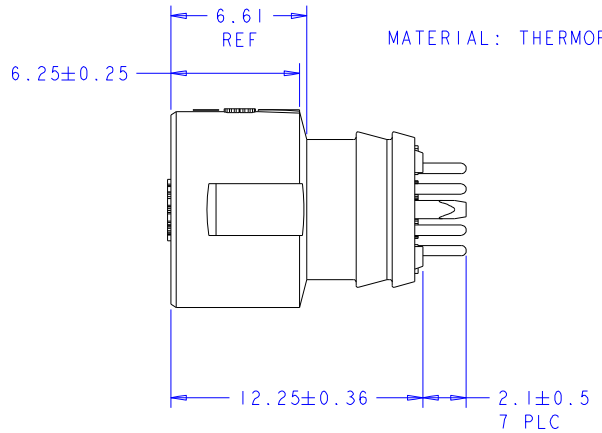
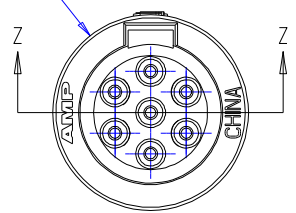
LOC	DIST	REVISIONS					
		P	LTR	DESCRIPTION	DATE	DWN	APVD
-	-	7		REVISED	13MAY03	BH	KD
		8		ADDED 'B'. A REF. 30° WAS 10°	5-28-03	GD	KD
		9		REVISED	3-12-04	GD	KD
		10		ADDED P/NS, NOTE 1 AND HOUSING COLOR.	4-14-04		

LATCH IDENTIFIER
 B-BREAKAWAY LATCH
 BREAKAWAY VERSION ONLY,
 MAY BE ORIENTED
 IN ANY DIRECTION

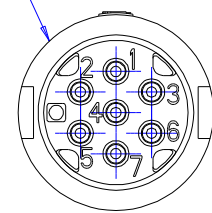
ALIGNMENT
 INDICATORS
 SEE TABLE
 FOR COLOR

THIS PRODUCT HAS NOT COMPLETED
 VALIDATION TESTING

$\varnothing 9.5 \pm 0.1$



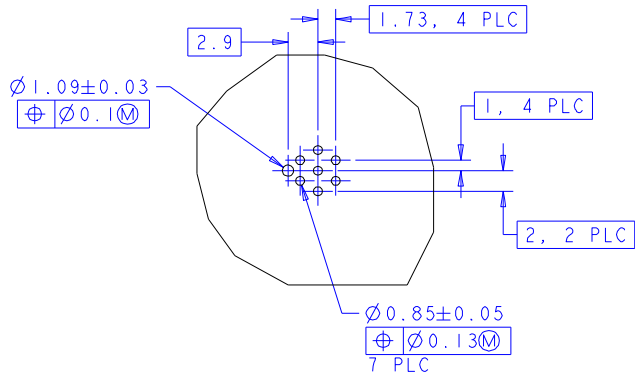
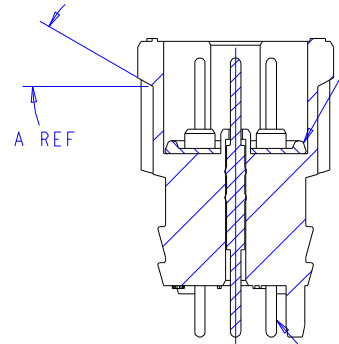
HOUSING, QTY-1
 COLOR-SEE TABLE



PRELIMINARY PART NUMBER

WHITE	WHITE	1, 7	BREAKAWAY	30°	△ 1-1445691-2
BLACK	WHITE	1, 7	POSITIVE	0°	△ 1-1445691-1
WHITE	WHITE	2, 3, 7	BREAKAWAY	30°	△ 1-1445691-0
BLACK	WHITE	2, 3, 7	POSITIVE	0°	△ 1445691-09
WHITE	WHITE	2, 3, 5, 6	BREAKAWAY	30°	△ 1445691-08
BLACK	WHITE	2, 3, 5, 6	POSITIVE	0°	△ 1445691-07
WHITE	WHITE	2, 3, 4, 5, 6	BREAKAWAY	30°	△ 1445691-06
BLACK	WHITE	2, 3, 4, 5, 6	POSITIVE	0°	△ 1445691-05
WHITE	WHITE	1, 2, 3, 5, 6, 7	BREAKAWAY	30°	△ 1445691-04
BLACK	WHITE	1, 2, 3, 5, 6, 7	POSITIVE	0°	△ 1445691-03
WHITE	WHITE	ALL	BREAKAWAY	30°	△ 1445691-02
BLACK	WHITE	ALL	POSITIVE	0°	1445691-01
HOUSING COLOR	INDICATOR COLOR	CONTACT CIRCUITS	LATCH	A REF	PART NUMBER

SEAL, INTERFACIAL, QTY-1
 MATERIAL: SILICONE, COLOR-RED



CONTACT, SOLDER TAIL, QTY-7
 MATERIAL: BRASS
 FINISH: GOLD OVER NICKEL

SECTION Z-Z

SUGGESTED PRINTED CIRCUIT
 BOARD LAYOUT

DIMENSIONS: mm 		TOLERANCES UNLESS OTHERWISE SPECIFIED: 0 PLC ±: 1 PLC ±: 2 PLC ±0.13 3 PLC ±: 4 PLC ±: ANGLES ±: FINISH SEE NOTE		DATE: 20JUL2001 SHANE WREST 20JUL2001 G. DOWDY PRODUCT SPEC APPLICATION SPEC WEIGHT CUSTOMER DRAWING		Tyco Electronics Harrisburg, PA 17105-3608 NAME: ASSEMBLY, RECEPTACLE, FREE HANGING, PIN CONTACT, SOLDER POST, 7 POSITION, MICRO CPC SIZE: A2 CAGE CODE: 00779 DRAWING NO: C-1445691 RESTRICTED TO: - SCALE: 6:1 SHEET: 1 OF 1 REV: 10	
-----------------------	--	---------------------------------------------------------------------------------------------------------------------------------------	--	---------------------------------------------------------------------------------------------------------------------------	--	-------------------------------------------------------------------------------------------------------------------------------------------------------------------------------------------------------------------------------------------------------------------	--