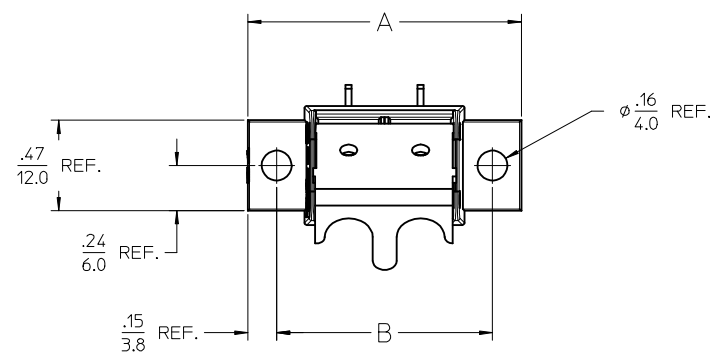
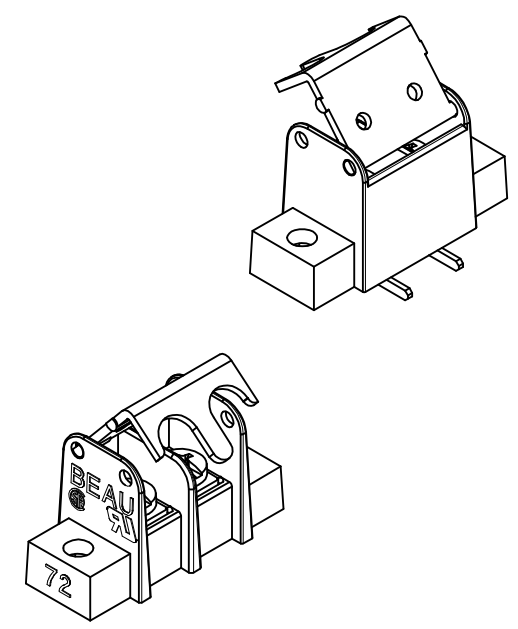
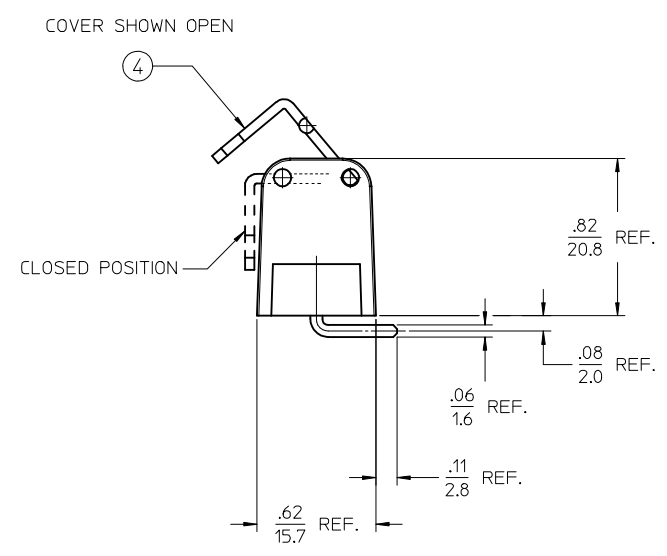
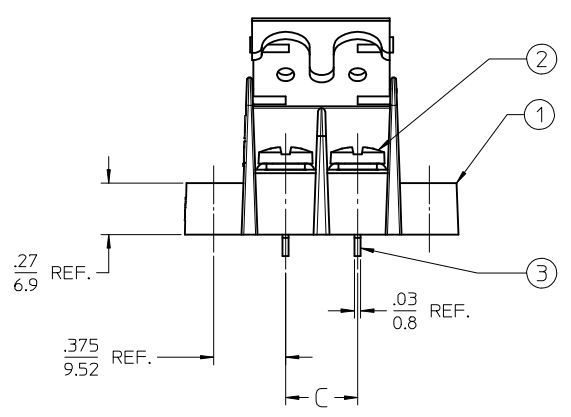


CIRCUITS	PART NO.	ENG. NO.	"A" DIM.	"B" DIM.	"C" DIM.
2	387291586	72R802-H	1.43 [36.3]	1.125 [28.58]	.375 [9.53]



- NOTES:
1. MATERIAL: SEE TABLE
 2. FINISHES: SEE TABLE
 3. ELECTRICAL SPECIFICATIONS
VOLTAGE RATING: 300V
CURRENT RATING: 15 AMPS
 4. TIGHTENING TORQUE: 12 IN LBS.
 5. WIRE RANGE: 12-24AWG
 6. WIRE STRIP: .31 (7.8mm)
 7. UL FILE: E48521
 8. ASSEMBLY IS RoHS COMPLIANT



4	1	HINGED COVER	PBT (UL 94V-0)	BLACK
3	3	TERMINAL	BRASS	7204-2511-A260
2	3	SCREW #6-32 X .250 BINDING HEAD	STEEL	ZINC PLATED
1	1	BARRIER STRIP	PBT (UL 94V-0)	BLACK
ITEM	QTY.	DESCRIPTION	MATERIAL	FINISH

RELEASED EC NO: IPG2014-2007 2014/05/21 DRWINSTONE 2014/05/23 CHKDDB RUPERT APPR: JFMURPHY 2014/07/01	QUALITY SYMBOLS	GENERAL TOLERANCES (UNLESS SPECIFIED)	DIMENSION STYLE	SCALE	DESIGN UNITS	THIRD ANGLE PROJECTION
	▼=0 ▽=0	mm INCH 4 PLACES ± --- ± --- 3 PLACES ± --- ± --- 2 PLACES ± --- ± .01 1 PLACE ± 0.3 ± --- 0 PLACE ± --- ± ---	IN/MM	2:1	INCH	
	DRAFT WHERE APPLICABLE MUST REMAIN WITHIN DIMENSIONS	DRAWN BY RSTONE CHECKED BY B RUPERT APPROVED BY JFMURPHY DATE 2014/05/21 DATE 2014/05/23 DATE 2014/07/01	MATERIAL NO. SEE CHART	TITLE SR BTS CS PC MTG-H .375 BARRIER STRIP WITH MTG ENDS AND COVER molex	DOCUMENT NO. SD-38729-072	SHEET NO. 1 OF 1
	THIS DRAWING CONTAINS INFORMATION THAT IS PROPRIETARY TO MOLEX INCORPORATED AND SHOULD NOT BE USED WITHOUT WRITTEN PERMISSION					