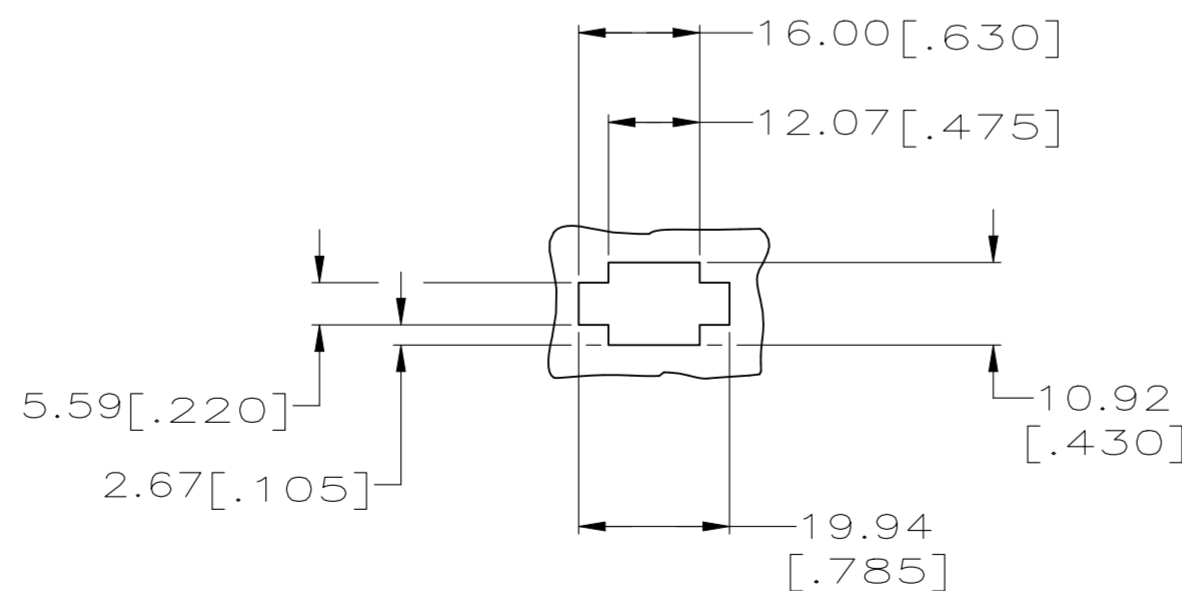
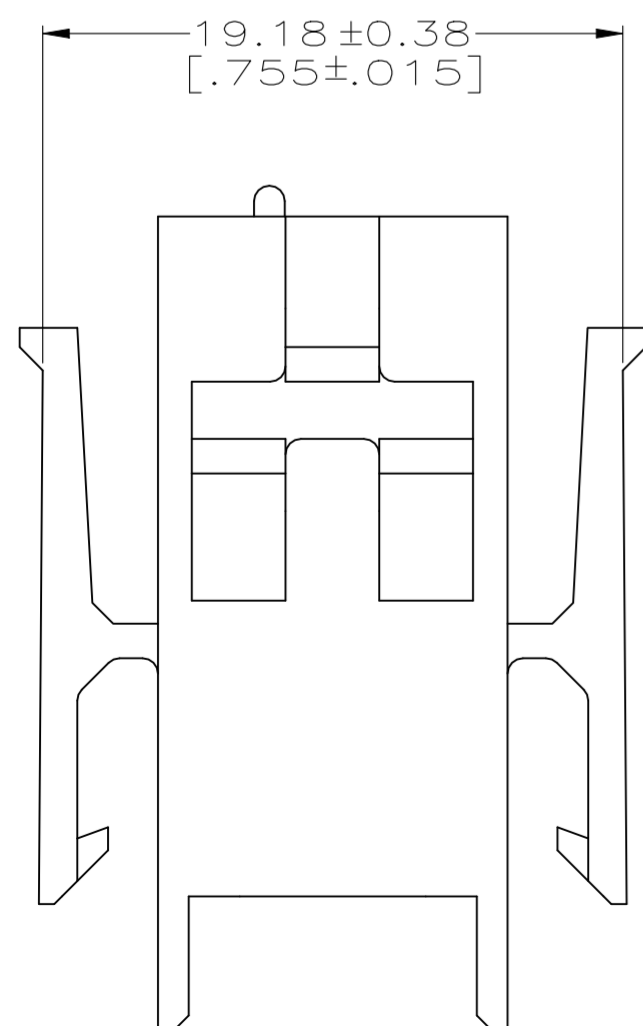
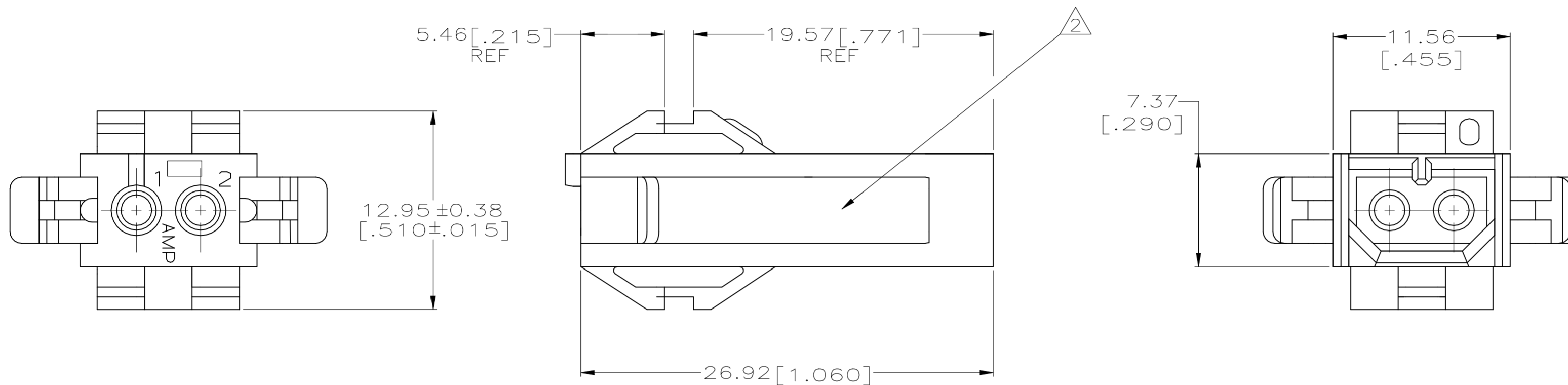
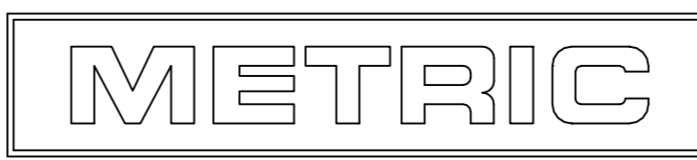


| REVISIONS |     |                           |           |     |      |
|-----------|-----|---------------------------|-----------|-----|------|
| P         | LTR | DESCRIPTION               | DATE      | DWN | APVD |
| J         |     | REVISED PER ECO-21-005962 | 19MAY2021 | RK  | MZ   |

- MATES WITH HOUSING 640517.
- UL LOGO AND CSA LOGO TO APPEAR ON EITHER LATCH SURFACE PER AMP SPEC 202-20, I.D. NO. 1-18838-3 AND 1-18839-3. FROST BACKGROUND OPTIONAL.
- DIMENSIONS IN BRACKETS ARE IN INCHES.
- HOUSING MATERIAL: PA66, BLACK, UL 94 V-0 RATED



RECOMMENDED CUT OUT  
FOR 1.73 [.068] MAX THICK PANEL  
SCALE 1:1



1-640507-0  
PART NUMBER

|  |  |                               |  |                    |
|--|--|-------------------------------|--|--------------------|
| THIS DRAWING IS A CONTROLLED DOCUMENT. |  | DWN<br>R. VESTAL<br>7-12-96   |  |                    |
| DIMENSIONS:<br>mm [INCHES]             |  | CHK<br>R. SWING<br>7-12-96    |  |                    |
| TOLERANCES UNLESS OTHERWISE SPECIFIED: |  | APVD<br>A. BEDDICK<br>7-12-96 | NAME<br>HOUSING, CAP<br>MRII<br>2 POSITION |                    |
| 0 PLC ± -                              |  | PRODUCT SPEC                  | SIZE<br>A2                                 | CAGE CODE<br>00779 |
| 1 PLC ± -                              |  | APPLICATION SPEC              | DRAWING NO<br>C-640507                     | RESTRICTED TO      |
| 2 PLC ± 0.13 [.005]                    |  | WEIGHT                        | SCALE<br>4:1                               | SHEET<br>1 of 1    |
| 3 PLC ± -                              |  | CUSTOMER DRAWING              | REV<br>J                                   |                    |
| 4 PLC ± -                              |  |                               |  |                    |
| ANGLES ± 0°30'                         |  |                               |  |                    |
| FINISH                                 |  |                               |  |                    |
| MATERIAL                               |  |                               |  |                    |