

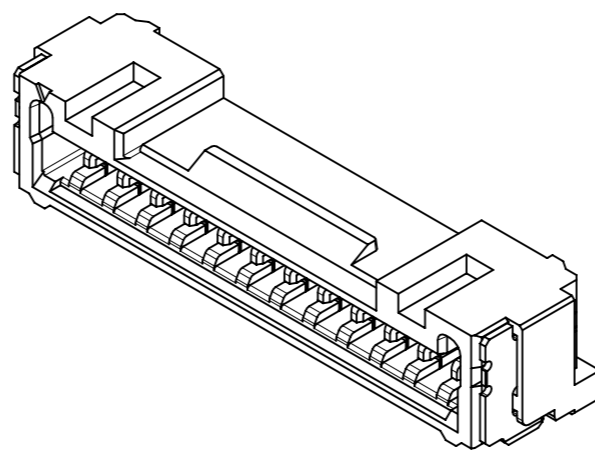
奇数キャビティ：キャビティ番号及び金型番号  
 偶数キャビティ：トレードマーク  
 ODD CAVITY:CAVITY AND MOLD NO.  
 EVEN CAVITY:TRADE MARK

奇数キャビティ：トレードマーク  
 偶数キャビティ：キャビティ番号及び金型番号  
 ODD CAVITY:TRADE MARK  
 EVEN CAVITY:CAVITY AND MOLD NO.

△ TABLE 1

| 番号 NO. | 部品 PART        | 材質 MATERIAL  |
|--------|----------------|--|
| ①      | ハウジング HOUSING  | ポリアミド(PA), ガラス充填, UL94 V-0, 色 : SHEET 5参照<br>POLYAMIDE (PA), GLASS FILLED, UL94 V-0, COLOR : SEE SHEET 5                             |
| ②      | ターミナル TERMINAL | 黄銅 BRASS   |
|        |                | 錫ビスマスめっき : 1.0 MICROMETER MINIMUM<br>TIN-BISMUTH PLATING<br>ニッケルめっき(下地全面) : 1.0 MICROMETER MINIMUM<br>NICKEL (UNDER-PLATING OVERALL) |
| ③      | ネイル NAIL       | 黄銅 BRASS   |
|        |                | 錫めっき : 1.0 MICROMETER MINIMUM<br>MATTE TIN PLATING<br>ニッケルめっき(下地全面) : 1.0 MICROMETER MINIMUM<br>NICKEL (UNDER-PLATING OVERALL)       |

|                 |    |              |            |          |
|-----------------|----|--------------|------------|----------|
| DOCUMENT STATUS | P1 | RELEASE DATE | 2023/02/16 | 15:22:40 |
|-----------------|----|--------------|------------|----------|



注記 :  
NOTES :

- ① 材料及び仕上げ(めっき仕様) : TABLE 1, TABLE2 参照  
MATERIAL AND FINISHES (PLATING SPECIFICATION) : SEE TABLE 1, TABLE2.
- ② 製品仕様書、コネクタ取扱説明書、適合嵌合相手、適合リテーナーはSHEET 5を  
ご参照下さい。  
PLEASE REFER TO SHEET 5 FOR PRODUCT SPECIFICATION,  
APPLICATION SPECIFICATION, MATE WITH AND APPLICABLE RETAINER.
- ③ 端子テール部 及び ネイルの平坦度 : 0.1 MAXIMUM  
TAIL AND NAIL COPLANARITY TO BE 0.1 MAXIMUM
- ④ 偶数極に適合  
APPLY TO EVEN CIRCUIT
- ⑤ 発注番号 : SHEET 5 参照  
ORDER NUMBER : PLEASE REFER TO SHEET 5

505567\*\*7\*

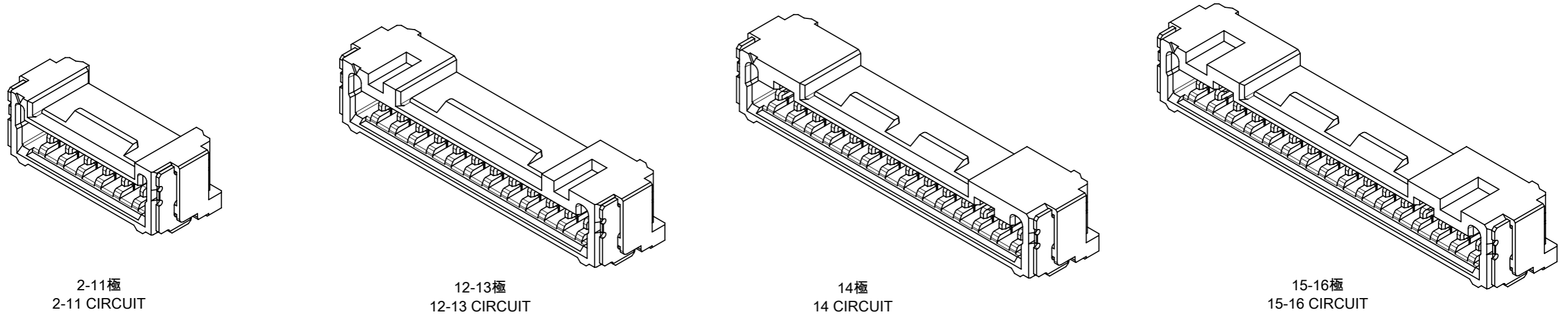
極数  
CIRCUIT SIZE

| 番号 NO. | ハウジングカラー HOUSING COLOR        |
|--------|-------------------------------|
| 0      | ナチュラル(ベージュ)<br>NATURAL(BEIGE) |
| 1      | 黒<br>BLACK                    |
| 2      | 赤<br>RED                      |
| 3      | 黄<br>YELLOW                   |
| 4      | 青<br>BLUE                     |
| 6      | 緑<br>GREEN                    |
| 8      | 橙<br>ORANGE                   |

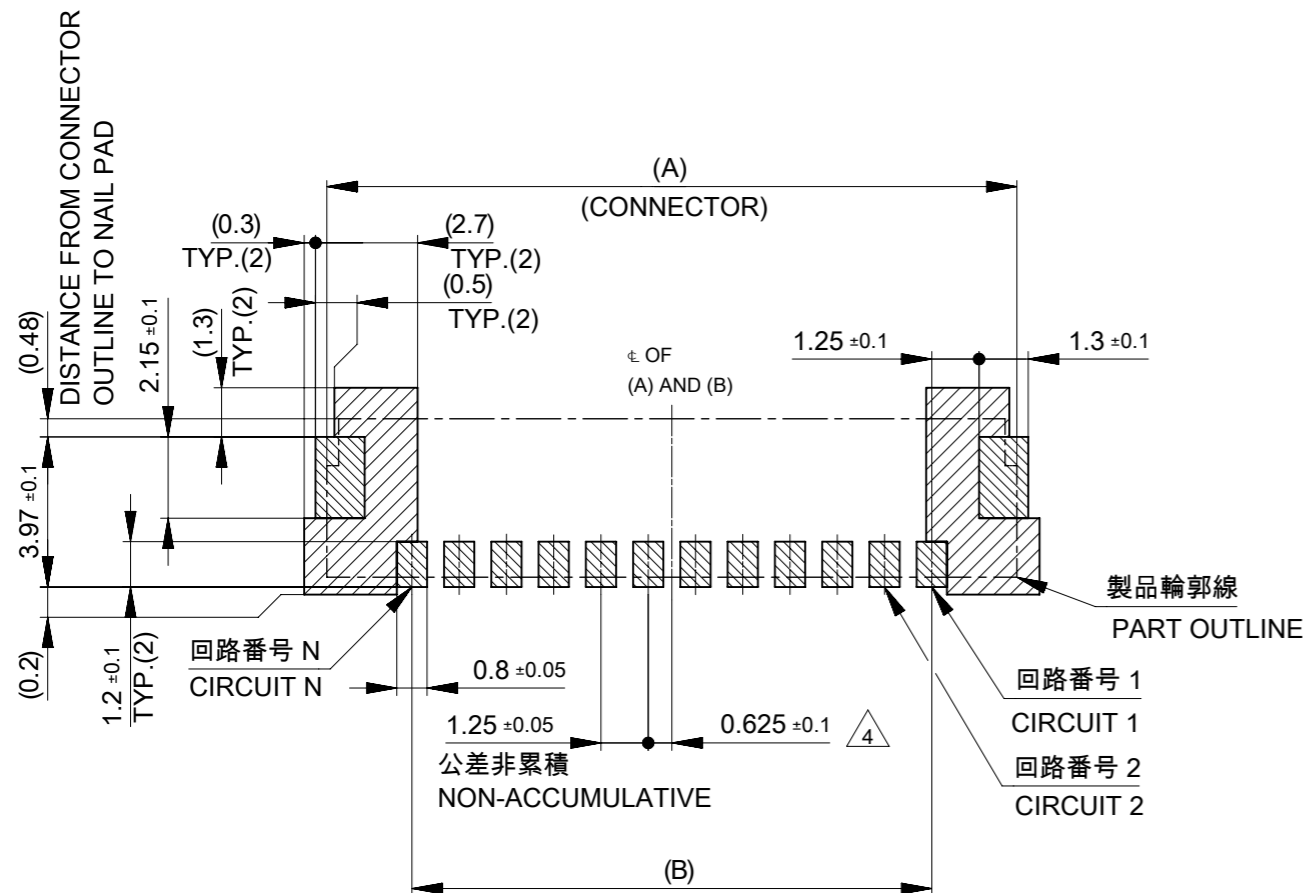
|       |       |       |                    |
|-------|-------|-------|--------------------|
| 22.2  | 18.75 | 23.25 | 16                 |
| 20.95 | 17.5  | 22    | 15                 |
| 19.7  | 16.25 | 20.75 | 14                 |
| 18.45 | 15    | 19.5  | 13                 |
| 17.2  | 13.75 | 18.25 | 12                 |
| 15.95 | 12.5  | 17    | 11                 |
| 14.7  | 11.25 | 15.75 | 10                 |
| 13.45 | 10    | 14.5  | 9                  |
| 12.2  | 8.75  | 13.25 | 8                  |
| 10.95 | 7.5   | 12    | 7                  |
| 9.7   | 6.25  | 10.75 | 6                  |
| 8.45  | 5     | 9.5   | 5                  |
| 7.2   | 3.75  | 8.25  | 4                  |
| 5.95  | 2.5   | 7     | 3                  |
| 4.7   | 1.25  | 5.75  | 2                  |
| C     | B     | A     | 極数<br>CIRCUIT SIZE |

|   |         |                              |  |   |  |
|---|---------|------------------------------|--|---|--|
| THIS DRAWING CONTAINS INFORMATION THAT IS PROPRIETARY TO MOLEX ELECTRONIC TECHNOLOGIES, LLC AND SHOULD NOT BE USED WITHOUT WRITTEN PERMISSION |         | CURRENT REV DESC:            |  |   |  |
| DIMENSION UNITS   | SCALE   |                              |  |   |  |
| mm  | NTS     |                              |  | MICRO-LOCK PLUS 1.25 W/B<br>SINGLE ROW RIGHT ANGLE SMT PLUG ASSEMBLY<br>TIN-BISMUTH PLATING |  |
| GENERAL TOLERANCES (UNLESS SPECIFIED)   |         |                              |  | PRODUCT CUSTOMER DRAWING  |  |
| ANGULAR TOL   | ± 3.0 ° |                              |  | DOCUMENT NUMBER   |  |
| 4 PLACES  | ± 0.2   | EC NO: 736271                |  | 5055670000-SD   |  |
| 3 PLACES  | ± 0.2   | DRWN: SOKUMURA01 2022/12/27  |  | DOC TYPE  |  |
| 2 PLACES  | ± 0.2   | CHK'D: SAKIYAMA 2023/02/16   |  | PSD   |  |
| 1 PLACE   | ± 0.2   | APPR: AIDA 2023/02/16        |  | DOC PART  |  |
| 0 PLACES  | ± 0.2   | INITIAL REVISION:            |  | 000   |  |
| DRAFT WHERE APPLICABLE MUST REMAIN WITHIN DIMENSIONS  |         | DRWN: RWATANABE01 2017/11/24 |  | D   |  |
| THIRD ANGLE PROJECTION  |         | APPR: TKANEKO 2017/12/06     |  | REVISION  |  |
| DRAWING   |         | SERIES                       |  | SHEET NUMBER  |  |
| A3-SIZE   |         | 505567                       |  | 1 OF 5  |  |
| MATERIAL NUMBER   |         | CUSTOMER                     |  |   |  |
| SEE SHEET 5   |         | GENERAL                      |  |   |  |

製品形状  
PRODUCT SHAPE



基板パターンレイアウト  
PCB PATTERN LAYOUT



基板パターンレイアウト (参考)  
(参考: 基板厚 1.6mm, メタルマスク厚さ 0.15mm, マスク開口率 100%)  
RECOMMEND PCB LAYOUT : COMPONENT SIDE  
(REFERENCE : PCB THICKNESS 1.6mm, STENCIL THICKNESS 0.15mm, APERTURE RATIO 100%)

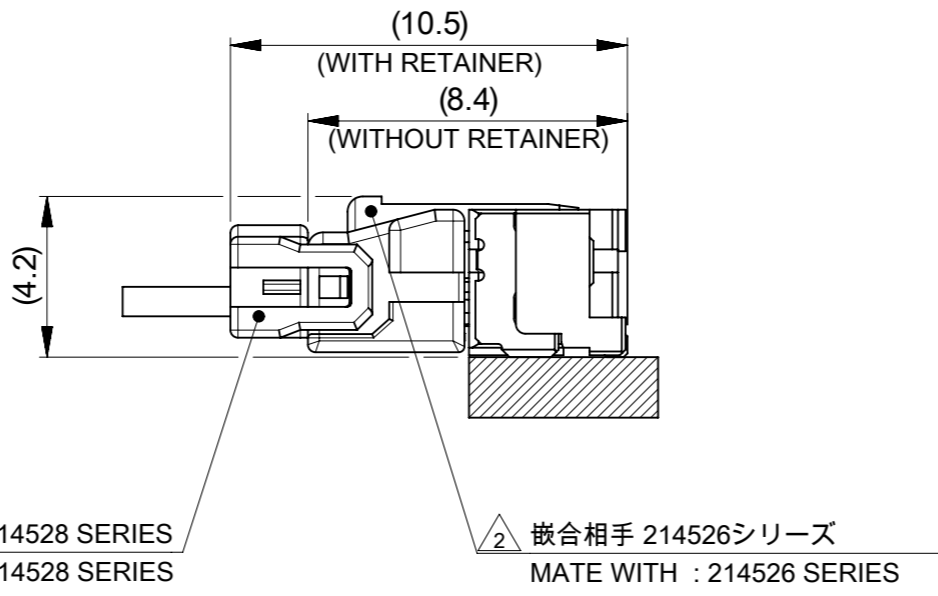
パターン非推奨エリア  
パターンを引き回す際は、製品機能に影響がないことをご確認ください。  
PATTERN IS NOT RECOMMENDED ON THE HATCHING AREA  
PLEASE CHECK NOT TO HAVE PROBLEM FOR PRODUCT FUNCTION  
WHEN SETTING PATTERN ON THE HATCHING AREA.

|   |  |       |  |  |  |                  |  |               |  |                 |  |
|---|--|-------|--|--|--|------------------|--|---------------|--|-----------------|--|
| THIS DRAWING CONTAINS INFORMATION THAT IS PROPRIETARY TO MOLEX ELECTRONIC TECHNOLOGIES, LLC AND SHOULD NOT BE USED WITHOUT WRITTEN PERMISSION |  |       |  |  |  |                  |  |               |  |                 |  |
| DIMENSION UNITS   |  | SCALE |  | CURRENT REV DESC:  |  |                  |  |               |  |                 |  |
| mm  |  | NTS   |  | <p style="text-align: center;"><b>molex</b></p> <p style="text-align: center;">MICRO-LOCK PLUS 1.25 W/B<br/>SINGLE ROW RIGHT ANGLE SMT PLUG ASSEMBLY<br/>TIN-BISMUTH PLATING</p> <p style="text-align: center;">PRODUCT CUSTOMER DRAWING</p> |  |                  |  |               |  |                 |  |
| GENERAL TOLERANCES (UNLESS SPECIFIED)   |  |       |  |  |  |                  |  |               |  |                 |  |
| ANGULAR TOL ± 3.0 °   |  |       |  |  |  |                  |  |               |  |                 |  |
| 4 PLACES  |  | ± 0.2 |  |  |  |                  |  |               |  |                 |  |
| 3 PLACES  |  | ± 0.2 |  |  |  |                  |  |               |  |                 |  |
| 2 PLACES  |  | ± 0.2 |  |  |  |                  |  |               |  |                 |  |
| 1 PLACE   |  | ± 0.2 |  | EC NO: 736271  |  | DRWN: SOKUMURA01 |  | 2022/12/27    |  |                 |  |
| 0 PLACES  |  | ± 0.2 |  | CHK'D: SAKIYAMA  |  | APPR: AIDA       |  | 2023/02/16    |  |                 |  |
| DRAFT WHERE APPLICABLE MUST REMAIN WITHIN DIMENSIONS  |  |       |  | THIRD ANGLE PROJECTION   |  | DRAWING          |  | SERIES        |  | MATERIAL NUMBER |  |
|   |  |       |  | A3-SIZE  |  | 505567           |  | 2017/11/24    |  | 2017/12/06      |  |
|   |  |       |  | SEE SHEET 5  |  | GENERAL          |  | 5055670000-SD |  | PSD 000 D       |  |
|   |  |       |  | 2 OF 5   |  |                  |  |               |  |                 |  |

吸着エリア  
SUCTION AREA



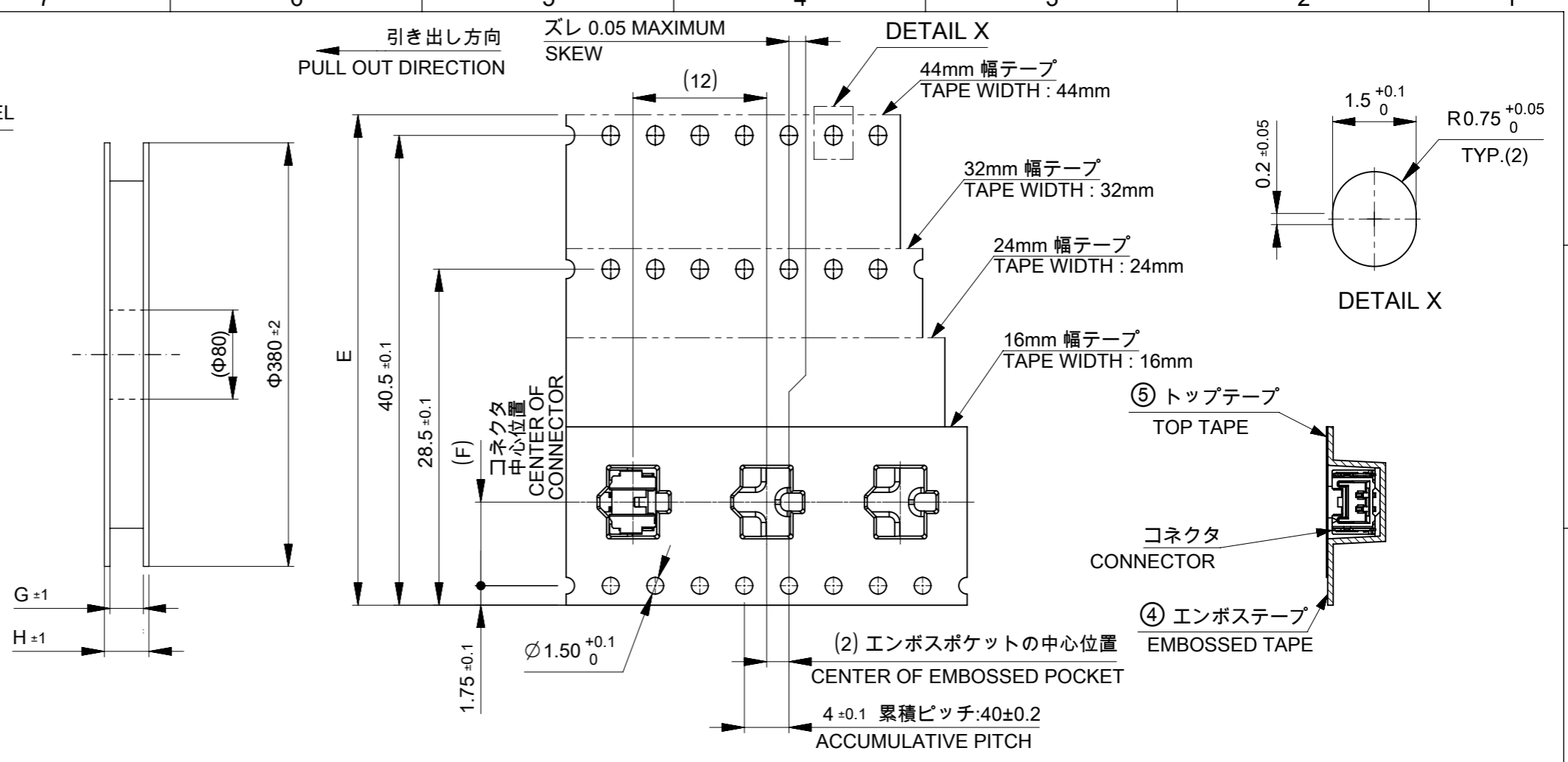
嵌合状態図  
MATED CONNECTORS



|      |                    |
|------|--------------------|
| 10.7 | 16                 |
|      | 15                 |
|      | 14                 |
| 9.2  | 13                 |
|      | 12                 |
|      | 11                 |
|      | 10                 |
| 6.7  | 9                  |
|      | 8                  |
|      | 7                  |
| 6.6  | 6                  |
| 5.35 | 5                  |
| 4.1  | 4                  |
| 2.85 | 3                  |
| 1.9  | 2                  |
| D    | 極数<br>CIRCUIT SIZE |

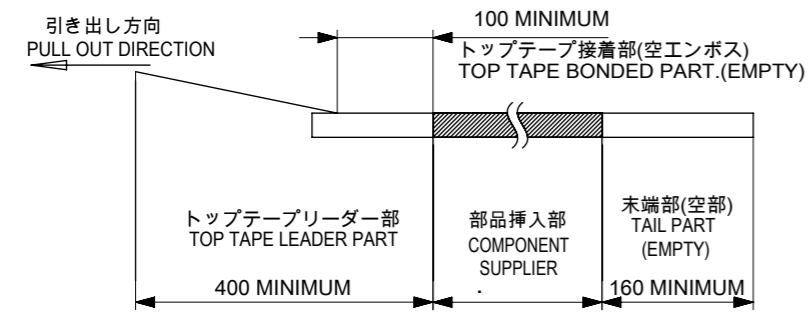
THIS DRAWING CONTAINS INFORMATION THAT IS PROPRIETARY TO MOLEX ELECTRONIC TECHNOLOGIES, LLC AND SHOULD NOT BE USED WITHOUT WRITTEN PERMISSION

|  |                     |                   |            |                          |          |          |
|--|---------------------|-------------------|------------|--------------------------|----------|----------|
| DIMENSION UNITS<br><b>mm</b>                         | SCALE<br><b>NTS</b> | CURRENT REV DESC: |            | <b>molex</b>             |          |          |
| GENERAL TOLERANCES (UNLESS SPECIFIED)                |                     | EC NO: 736271     |            |                          |          |          |
| ANGULAR TOL ± 3.0 °                                  | 4 PLACES ± 0.2      | DRWN: SOKUMURA01  | 2022/12/27 | PRODUCT CUSTOMER DRAWING |          |          |
| 3 PLACES ± 0.2                                       | 3 PLACES ± 0.2      | CHK'D: SAKIYAMA   | 2023/02/16 | DOCUMENT NUMBER          |          |          |
| 2 PLACES ± 0.2                                       | 2 PLACES ± 0.2      | APPR: AIDA        | 2023/02/16 | 5055670000-SD            |          |          |
| 1 PLACE ± 0.2  | 1 PLACE ± 0.2       | INITIAL REVISION: |            | DOC TYPE                 | DOC PART | REVISION |
| 0 PLACES ± 0.2                                       | 0 PLACES ± 0.2      | DRWN: RWATANABE01 | 2017/11/24 | PSD                      | 000      | D        |
| DRAFT WHERE APPLICABLE MUST REMAIN WITHIN DIMENSIONS |                     | APPR: TKANEKO     | 2017/12/06 | SHEET NUMBER             |          |          |
| THIRD ANGLE PROJECTION                               |                     | DRAWING           | SERIES     | MATERIAL NUMBER          | CUSTOMER |          |
| A3-SIZE  |                     | A3-SIZE           | 505567     | SEE SHEET 5              | GENERAL  | 3 OF 5   |



**注記 NOTE**

- 6. 梱包数量 : 1200個 / リール  
NUMBER OF CONNECTORS : 1200 PCS/REEL.
- 7. リードテープ長さ LEAD TAPE LENGTH.



- 8. トップテープの剥離強度はIEC60286-3に準拠  
TOP TAPE PEELING FORCE IS DEFINED BY IEC60286-3.

1 TABLE 2

| 番号<br>NO. | 部品<br>PART                | 材質<br>MATERIAL   |
|-----------|---------------------------|--|
| ④         | エンボステープ<br>EMBOSSSED TAPE | ポリスチレン(PS)<br>POLYSTYRENE(PS)  |
| ⑤         | トップテープ<br>TOP TAPE        | ポリエチレン(PE), その他<br>POLYETHYLENE(PE), ETC                                 |
| ⑥         | リール<br>REEL               | ポリスチレン(PS) <リサイクル材を含む><br>POLYSTYRENE(PS) < RECYCLE MATERIAL CONTAINED > |

|                 |    |              |            |          |
|-----------------|----|--------------|------------|----------|
| DOCUMENT STATUS | P1 | RELEASE DATE | 2023/02/16 | 15:22:40 |
|-----------------|----|--------------|------------|----------|

THIS DRAWING CONTAINS INFORMATION THAT IS PROPRIETARY TO MOLEX ELECTRONIC TECHNOLOGIES, LLC AND SHOULD NOT BE USED WITHOUT WRITTEN PERMISSION

|  |         |                   |            |
|--|---------|-------------------|------------|
| DIMENSION UNITS                                      | SCALE   | CURRENT REV DESC: |            |
| mm   | NTS     |                   |            |
| GENERAL TOLERANCES (UNLESS SPECIFIED)                |         |                   |            |
| ANGULAR TOL  | ± 3.0 ° |                   |            |
| 4 PLACES   | ± 0.2   | EC NO: 736271     |            |
| 3 PLACES   | ± 0.2   | DRWN: SOKUMURA01  | 2022/12/27 |
| 2 PLACES   | ± 0.2   | CHK'D: SAKIYAMA   | 2023/02/16 |
| 1 PLACE  | ± 0.2   | APPR: AIDA        | 2023/02/16 |
| 0 PLACES   | ± 0.2   | INITIAL REVISION: |            |
| DRAFT WHERE APPLICABLE MUST REMAIN WITHIN DIMENSIONS |         | DRWN: RWATANABE01 | 2017/11/24 |
| THIRD ANGLE PROJECTION                               |         | APPR: TKANEKO     | 2017/12/06 |
| DRAWING  | SERIES  | MATERIAL NUMBER   | CUSTOMER   |
| A3-SIZE  | 505567  | 5055670000-SD     | GENERAL    |
| SHEET NUMBER   |         | DOC TYPE          | DOC PART   |
| 4 OF 5   |         | PSD               | 000        |

**molex**

MICRO-LOCK PLUS 1.25 W/B  
SINGLE ROW RIGHT ANGLE SMT PLUG ASSEMBLY  
TIN-BISMUTH PLATING

PRODUCT CUSTOMER DRAWING

DOCUMENT NUMBER: 5055670000-SD  
DOC TYPE: PSD  
DOC PART: 000  
REVISION: D

|      |      |      |                                    |                    |
|------|------|------|------------------------------------|--------------------|
| 49.4 | 45.4 | 20.2 | 44±0.3                             | 16                 |
|      |      |      |                                    | 15                 |
|      |      |      |                                    | 14                 |
|      |      |      |                                    | 13                 |
| 37.4 | 33.4 | 14.2 | 32±0.3                             | 12                 |
|      |      |      |                                    | 11                 |
|      |      |      |                                    | 10                 |
|      |      |      |                                    | 9                  |
|      |      |      |                                    | 8                  |
|      |      |      |                                    | 7                  |
| 29.4 | 25.4 | 11.5 | 24 <sup>+0.3</sup> <sub>-0.1</sub> | 6                  |
|      |      |      |                                    | 5                  |
|      |      |      |                                    | 4                  |
| 21.4 | 17.4 | 7.5  | 16 <sup>+0.3</sup> <sub>-0.1</sub> | 3                  |
|      |      |      |                                    | 2                  |
| H    | G    | F    | E                                  | 極数<br>CIRCUIT SIZE |

△ 2 適合製品及び各種仕様書 APPLICABLE PRODUCTS AND VARIOUS SPECIFICATIONS

|  |                                |                      |  |
|--|--------------------------------|----------------------|--|
| 梱包仕様書<br>PACKAGING SPECIFICATION                   |                                | 5055679200 PS 200    |  |
| 適合嵌合相手<br>MATE WITH                                | シリーズ番号<br>SERIES NUMBER        | 505565               | 214526   |
|  | リテーナー対応<br>RETAINER APPLICABLE | NOT COMPLIANT        | COMPLIANT<br>(NATURAL, BLACK, RED, YELLOW, BLUE) |
| 適合リテーナーシリーズ番号<br>APPLICABLE RETAINER SERIES NUMBER |                                | -                    | 214528   |
| 製品仕様書<br>PRODUCT SPECIFICATION                     |                                | 5055650000 PS 000    | 2145260000-PS PS 000                             |
| コネクタ取扱説明書<br>APPLICATION SPECIFICATION             |                                | 5055650000-AS PS 000 |  |

△ 5 505567\*\*7\* 発注番号一覧 ORDER NUMBER LIST

| ORANGE   | GREEN      | BLUE       | YELLOW     | RED        | BLACK      | NATURAL<br>(BEIGE) | HOUSING<br>COLOR   |
|--|------------|------------|------------|------------|------------|--------------------|--------------------|
| 5055671678   | 5055671676 | 5055671674 | 5055671673 | 5055671672 | 5055671671 | 5055671670         | 16                 |
| 5055671578   | 5055671576 | 5055671574 | 5055671573 | 5055671572 | 5055671571 | 5055671570         | 15                 |
| 5055671478   | 5055671476 | 5055671474 | 5055671473 | 5055671472 | 5055671471 | 5055671470         | 14                 |
| 5055671378   | 5055671376 | 5055671374 | 5055671373 | 5055671372 | 5055671371 | 5055671370         | 13                 |
| 5055671278   | 5055671276 | 5055671274 | 5055671273 | 5055671272 | 5055671271 | 5055671270         | 12                 |
| 5055671178   | 5055671176 | 5055671174 | 5055671173 | 5055671172 | 5055671171 | 5055671170         | 11                 |
| 5055671078   | 5055671076 | 5055671074 | 5055671073 | 5055671072 | 5055671071 | 5055671070         | 10                 |
| 5055670978   | 5055670976 | 5055670974 | 5055670973 | 5055670972 | 5055670971 | 5055670970         | 9                  |
| 5055670878   | 5055670876 | 5055670874 | 5055670873 | 5055670872 | 5055670871 | 5055670870         | 8                  |
| 5055670778   | 5055670776 | 5055670774 | 5055670773 | 5055670772 | 5055670771 | 5055670770         | 7                  |
| 5055670678   | 5055670676 | 5055670674 | 5055670673 | 5055670672 | 5055670671 | 5055670670         | 6                  |
| 5055670578   | 5055670576 | 5055670574 | 5055670573 | 5055670572 | 5055670571 | 5055670570         | 5                  |
| 5055670478   | 5055670476 | 5055670474 | 5055670473 | 5055670472 | 5055670471 | 5055670470         | 4                  |
| 5055670378   | 5055670376 | 5055670374 | 5055670373 | 5055670372 | 5055670371 | 5055670370         | 3                  |
| 5055670278   | 5055670276 | 5055670274 | 5055670273 | 5055670272 | 5055670271 | 5055670270         | 2                  |
| 発注番号 : ORDER NUMBER                                  |            |            |            |            |            |                    | 極数<br>CIRCUIT SIZE |
| エンボステープ梱包<br>PACKAGING STYLE: EMBOSSED TAPE AND REEL |            |            |            |            |            |                    |                    |

|   |                |   |  |                 |          |
|---|----------------|---|--|-----------------|----------|
| THIS DRAWING CONTAINS INFORMATION THAT IS PROPRIETARY TO MOLEX ELECTRONIC TECHNOLOGIES, LLC AND SHOULD NOT BE USED WITHOUT WRITTEN PERMISSION |                | CURRENT REV DESC:   |  | <b>molex</b>    |          |
| DIMENSION UNITS<br>mm   | SCALE<br>NTS   | EC NO: 736271<br>DRWN: SOKUMURA01 2022/12/27<br>CHK'D: SAKIYAMA 2023/02/16<br>APPR: AIDA 2023/02/16 |  |                 |          |
| GENERAL TOLERANCES<br>(UNLESS SPECIFIED)  |                | INITIAL REVISION:   |  | DOCUMENT NUMBER |          |
| ANGULAR TOL ± 3.0 °   | 4 PLACES ± 0.2 | DRWN: RWATANABE01 2017/11/24<br>APPR: TKANEKO 2017/12/06  |  | 5055670000-SD   |          |
| 3 PLACES ± 0.2  | 2 PLACES ± 0.2 | THIRD ANGLE PROJECTION  |  | DOC TYPE        | DOC PART |
| 1 PLACE ± 0.2   | 0 PLACES ± 0.2 | DRAWING   |  | PSD             | 000      |
| DRAFT WHERE APPLICABLE<br>MUST REMAIN<br>WITHIN DIMENSIONS  |                | SERIES  |  | REVISION        | D        |
|   |                | A3-SIZE   |  | 5 OF 5          |          |
|   |                | 505567  |  | SHEET NUMBER    |          |
|   |                | SEE SHEET 5   |  | GENERAL         |          |